

A photograph of a shower tray with a dark metal drain system. A bottle of hand sanitizer is placed on the tray, and water droplets are scattered across the surface. The background is a white wall.

Schlüter®-Systems

Supplementary Price List Spring 2021

Export · Effective as of 1 April 2021

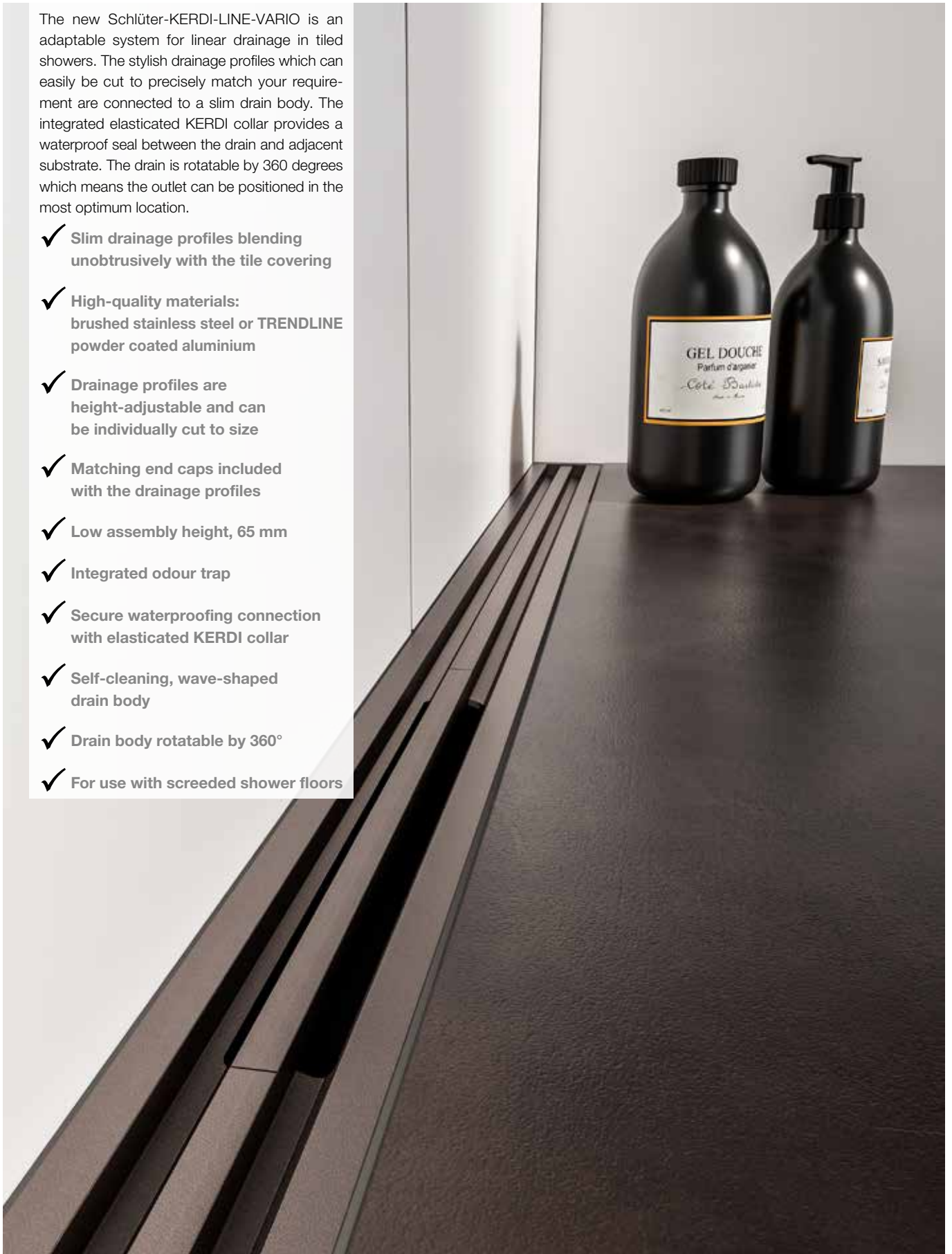
2021



Schlüter®-KERDI-LINE-VARIO – drainage has never been more adaptable

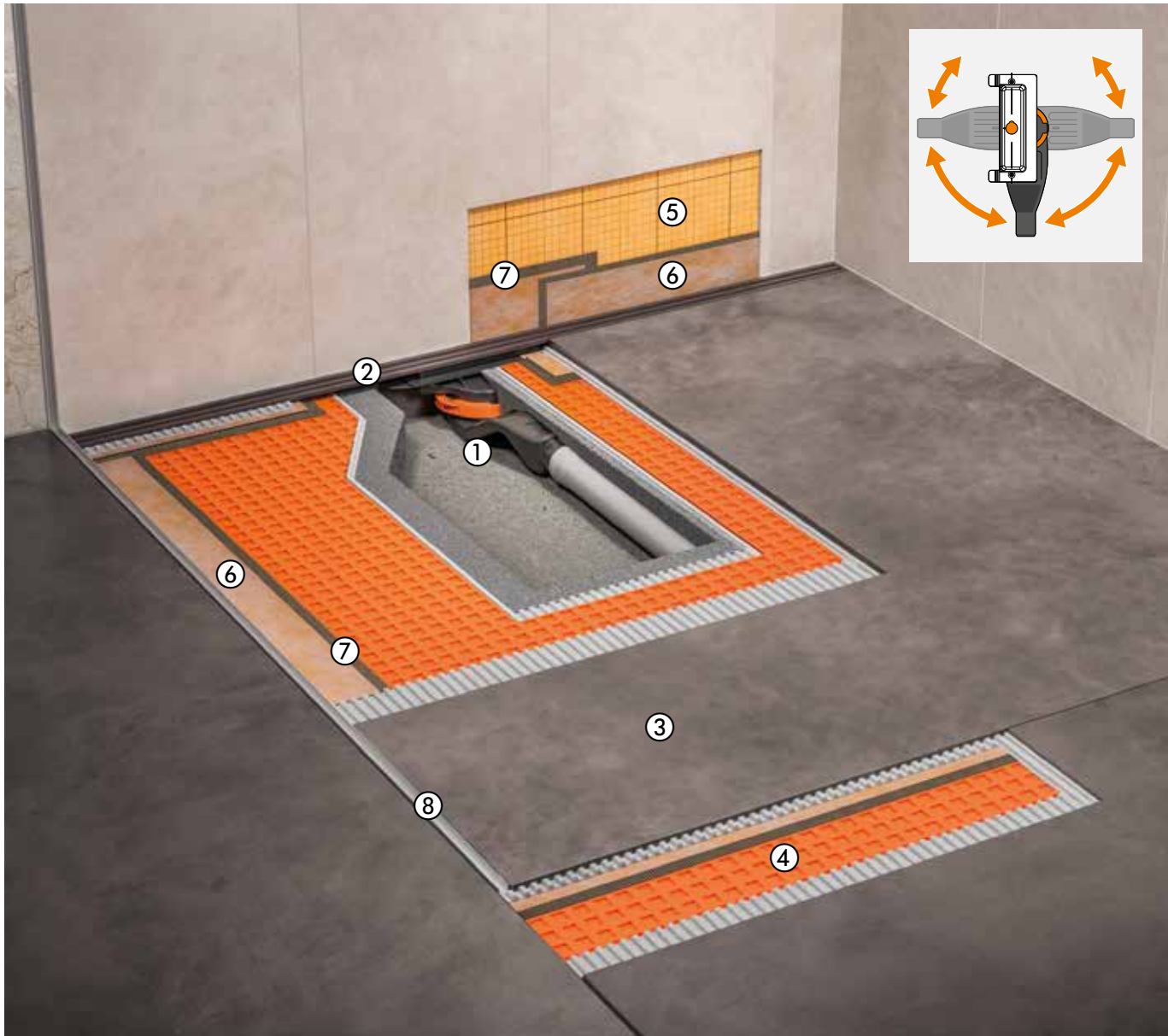
The new Schlüter-KERDI-LINE-VARIO is an adaptable system for linear drainage in tiled showers. The stylish drainage profiles which can easily be cut to precisely match your requirement are connected to a slim drain body. The integrated elasticated KERDI collar provides a waterproof seal between the drain and adjacent substrate. The drain is rotatable by 360 degrees which means the outlet can be positioned in the most optimum location.

- ✓ **Slim drainage profiles blending unobtrusively with the tile covering**
- ✓ **High-quality materials: brushed stainless steel or TRENDLINE powder coated aluminium**
- ✓ **Drainage profiles are height-adjustable and can be individually cut to size**
- ✓ **Matching end caps included with the drainage profiles**
- ✓ **Low assembly height, 65 mm**
- ✓ **Integrated odour trap**
- ✓ **Secure waterproofing connection with elasticated KERDI collar**
- ✓ **Self-cleaning, wave-shaped drain body**
- ✓ **Drain body rotatable by 360°**
- ✓ **For use with screeded shower floors**





Showers with linear Schlüter®-KERDI-LINE-VARIO drainage



The Schlüter-KERDI-LINE VARIO drain profile directs the wastewater into a slim wave shaped drain body with an elasticated waterproofing collar. A DN 40 outlet connects the drain to the buildings wastewater drainage system. A screeded tiled shower floor with a 2% gradient should be provided to allow water to run into the drainage profile.

Schlüter-DECO-SG keeps shower screens in their correct positions. Schlüter-KERDI and -DITRA ensure waterproofing in the wall and floor area. Abutting joints are sealed with Schlüter-KERDI-KEBA sealing bands, using Schlüter-KERDI-COLL-L.

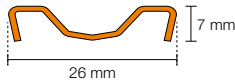
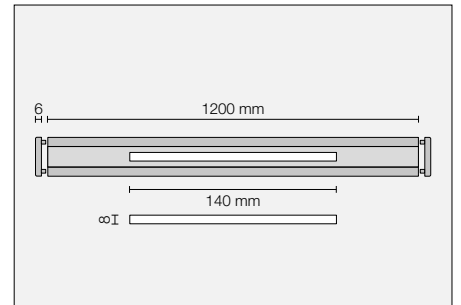
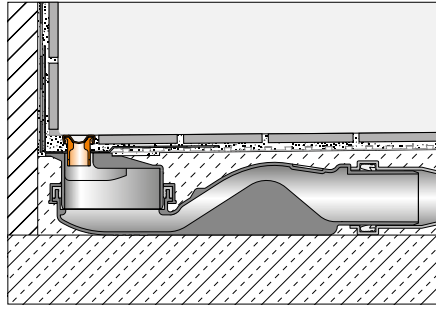
	Article	Page
①	Schlüter®-KERDI-LINE-VARIO-H wave-shaped drain	7
②	Schlüter®-KERDI-LINE-VARIO drainage profile	5/6
③	Sloped screed	–
④	Schlüter®-DITRA 25	PS 110
⑤	Schlüter®-KERDI-200	PS 123
⑥	Schlüter®-KERDI-KEBA	PS 124
⑦	Schlüter®-KERDI-COLL-L	PS 129
⑧	Schlüter®-DECO-SG	PS 152



Schlüter®-KERDI-LINE-VARIO COVE

Schlüter-KERDI-LINE-VARIO COVE is a cove-shaped drainage profile, which can be cut to size, for use with the linear drain Schlüter-KERDI-LINE-VARIO-H. It is available in either brushed stainless steel V4A (material no. 1.4404 = AISI 316L) or one of eight TRENDLINE powder coated aluminium finishes. An opening 8 mm wide and 140 mm long allows water to flow into the drain. The drainage profile is supplied with two matching end caps. The installation height can be adjusted to the thickness of the floor covering by use of tile adhesive.

This profile is suitable when a wheelchair is used in a shower.



Schlüter®-KERDI-LINE-VARIO COVE			
drainage profile, COVE design (D 9), brushed stainless steel V4A			
L (cm)	H = 7 mm Art. No.	€/ Set	P (Set)
120	KL VR D9 EB 120	190.00	10

Schlüter®-KERDI-LINE-VARIO COVE			
drainage profile, COVE design (D 9), textured aluminium			
L (cm)	H = 8 mm Art. No.	€/ Set	P (Set)
120	KL VR D9 MBW 120	145.00	10
120	KL VR D9 MGS 120	145.00	10
120	KL VR D9 TSBG 120	150.00	10
120	KL VR D9 TSC 120	150.00	10
120	KL VR D9 TSDA 120	150.00	10
120	KL VR D9 TSI 120	150.00	10
120	KL VR D9 TSOB 120	150.00	10
120	KL VR D9 TSSG 120	150.00	10

Suitable for covering thicknesses of 6 - 15 mm (with DITRA 25 or DITRA-HEAT) and 6 - 12 mm (with DITRA-HEAT-DUO)

Note:

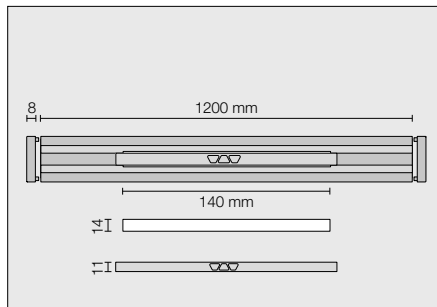
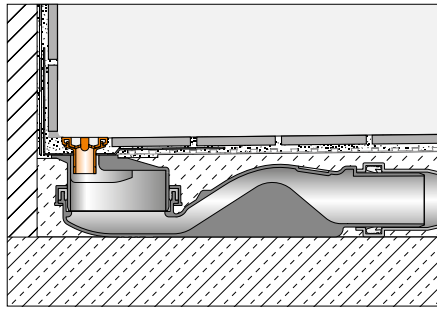
The drainage profile is only suitable for use with the Schlüter-KERDI-LINE-VARIO body.



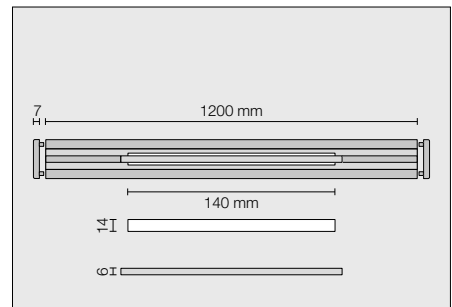
Schlüter®-KERDI-LINE-VARIO WAVE

Schlüter-KERDI-LINE-VARIO WAVE is a W shaped drainage profile which can be cut to size for use with the linear drain Schlüter-KERDI-LINE-VARIO-H. It is available in either brushed stainless steel V4A (material no. 1.4404 = AISI 316L) or one of eight TRENDLINE powder coated aluminium finishes. An opening 14 mm wide and 140 mm long allows water to flow into the drain. The opening is concealed by a removable cover panel.

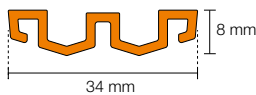
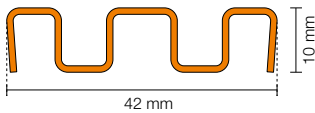
The drainage profile is supplied with two matching end caps. The installation height can be adjusted to the thickness of the floor covering by use of tile adhesive. This drainage profile is not suitable when a wheelchair is used in a shower.



Stainless steel



Aluminium



Schlüter®-KERDI-LINE-VARIO WAVE

drainage profile, WAVE design (D 10), brushed stainless steel V4A

L (cm)	H = 10 mm Art. No.	€ / Set	P (Set)
120	KL VR D10 EB 120	230.00	10

Suitable for covering thicknesses of
8 - 18 mm (with DITRA 25 or DITRA-HEAT) and
8 - 15 mm (with DITRA-HEAT-DUO)

Schlüter®-KERDI-LINE-VARIO WAVE

drainage profile, WAVE design (D 10), textured aluminium

L (cm)	H = 8 mm Art. No.	€ / Set	P (Set)
120	KL VR D10 MBW 120	165.00	10
120	KL VR D10 MGS 120	165.00	10
120	KL VR D10 TSBG 120	170.00	10
120	KL VR D10 TSC 120	170.00	10
120	KL VR D10 TSDA 120	170.00	10
120	KL VR D10 TSI 120	170.00	10
120	KL VR D10 TSOB 120	170.00	10
120	KL VR D10 TSSG 120	170.00	10

Suitable for covering thicknesses of
6 - 15 mm (with DITRA 25 or DITRA-HEAT) and
6 - 12 mm (with DITRA-HEAT-DUO)

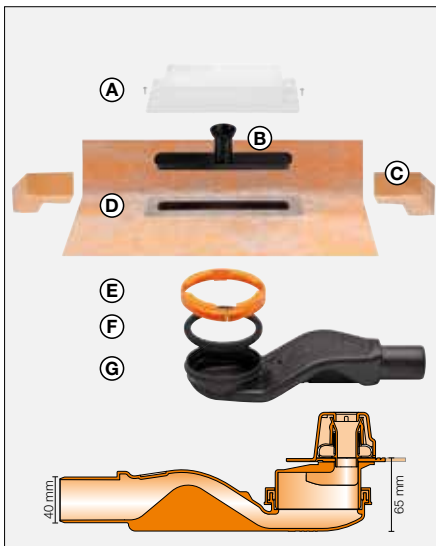
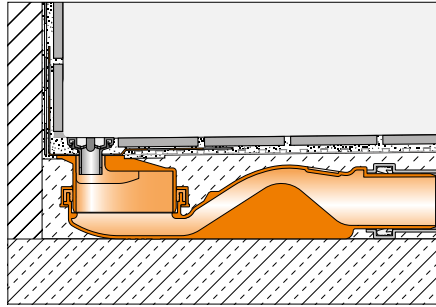
Note:

The drainage profile is only suitable for use with the Schlüter-KERDI-LINE-VARIO body.



Schlüter®-KERDI-LINE-VARIO-H

Schlüter-KERDI-LINE-VARIO-H is a linear drain for tiled showers. It comprises a wave shaped drain body with horizontal outlet that can be rotated by 360 degrees, an integrated odour trap and an integrated elasticated KERDI waterproofing collar. Schlüter-KERDI-LINE-VARIO-H can be installed in an intermediate position or against a wall. The high flow rate in the drain body results in a self-cleaning effect. Together with the Schlüter-KERDI-LINE-VARIO drainage profiles, the drain can be used to create a discrete unobtrusive drainage solution in tiled floors.



Set components:

- A protective lid
- B water inspection nozzle
- C corner seal (for upright wall connection)
- D drainage profile connector
with elasticated waterproofing collar
- E clamping ring
- F gasket
- G drain body with odour trap

Schlüter®-KERDI-LINE-VARIO-H 40

linear wave shaped drain with DN 40 horizontal outlet

Art. No.	€ / Set	P (Set)
KL VR H40 G4	179.00	10

Note:

The drain is only suitable for use with Schlüter-KERDI-LINE-VARIO drainage profiles.

Technical data:

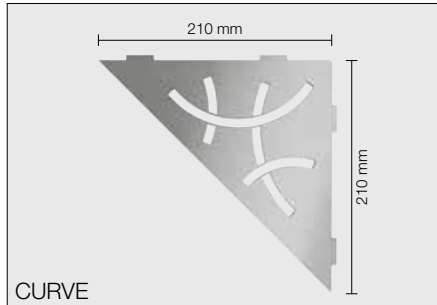
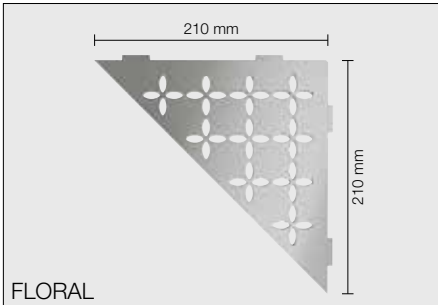
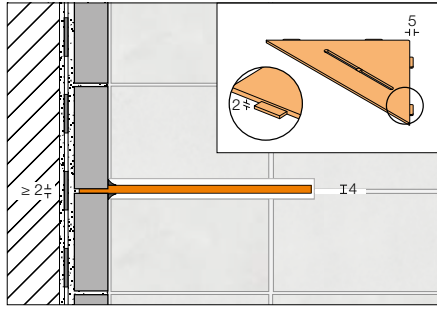
Drain	DN 40
Drain capacity	0.45 l/s
Water trap height	25 mm
Installation height	65 mm



Schlüter®-SHELF-E-S1

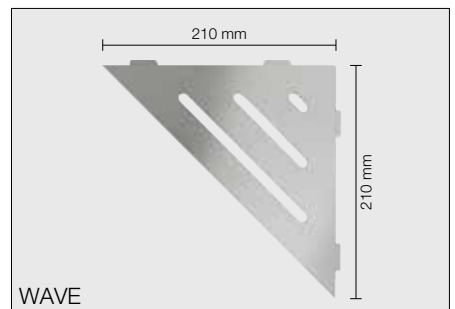
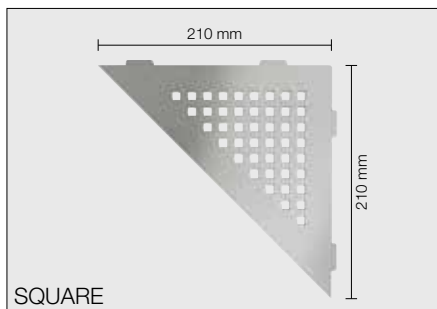
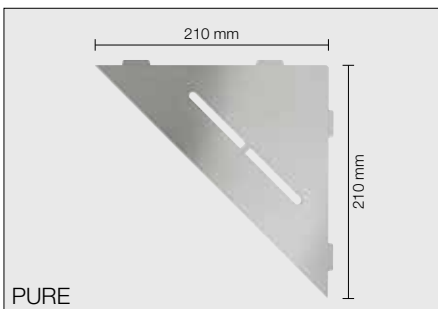
Schlüter-SHELF-E-S1 are triangular shelves for installation in corners. They are available in the design variants FLORAL, CURVE, PURE, SQUARE and WAVE in the finish choices brushed stainless steel or TRENDLINE powder coated aluminium. The shelves can be integrated into the tile assembly during tile installation or retrofitted into the joints of tiled walls, using the 2 mm attachment tabs. SHELF-E-S1 are suitable as shelves in shower areas, but can also be integrated into other tiled areas such as tiled kitchen walls.

(Product data sheet 17.1)



Schlüter®-SHELF-E-S1		
shelf, FLORAL design, brushed stainless steel		
Art. No.	€/ U.	P (Unit)
SE S1 D5 EB	86.06	10

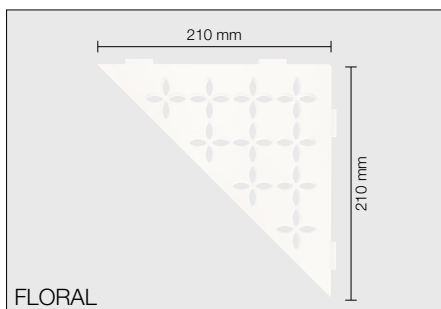
Schlüter®-SHELF-E-S1		
shelf, CURVE design, brushed stainless steel		
Art. No.	€/ U.	P (Unit)
SE S1 D6 EB	81.00	10



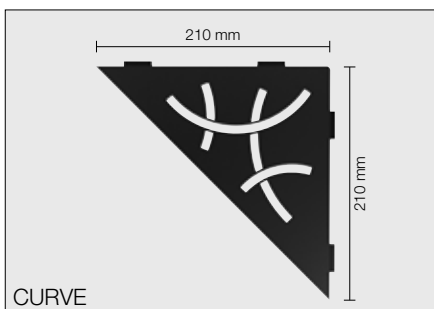
Schlüter®-SHELF-E-S1		
shelf, PURE design, brushed stainless steel		
Art. No.	€/ U.	P (Unit)
SE S1 D7 EB	85.00	10

Schlüter®-SHELF-E-S1		
shelf, SQUARE design, brushed stainless steel		
Art. No.	€/ U.	P (Unit)
SE S1 D3 EB	85.00	10

Schlüter®-SHELF-E-S1		
shelf, WAVE design, brushed stainless steel		
Art. No.	€/ U.	P (Unit)
SE S1 D10 EB	90.00	10



FLORAL

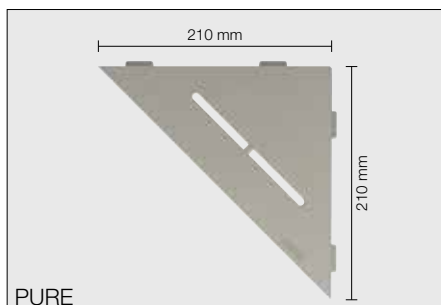


CURVE

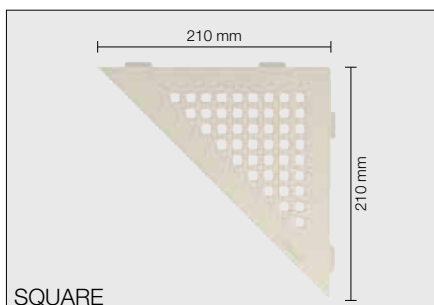
Schlüter®-SHELF-E-S1		
shelf, FLORAL design, textured aluminium		
Art. No.	€/ U.	P (Unit)
SE S1 D5 MBW	64.80	10
SE S1 D5 MGS	64.80	10
SE S1 D5 TSBG	70.88	10
SE S1 D5 TSC	70.88	10
SE S1 D5 TSDA	70.88	10
SE S1 D5 TSI	70.88	10
SE S1 D5 TSOB	70.88	10
SE S1 D5 TSSG	70.88	10

Schlüter®-SHELF-E-S1		
shelf, CURVE design, textured aluminium		
Art. No.	€/ U.	P (Unit)
SE S1 D6 MBW	59.74	10
SE S1 D6 MGS	59.74	10
SE S1 D6 TSBG	65.81	10
SE S1 D6 TSC	65.81	10
SE S1 D6 TSDA	65.81	10
SE S1 D6 TSI	65.81	10
SE S1 D6 TSOB	65.81	10
SE S1 D6 TSSG	65.81	10

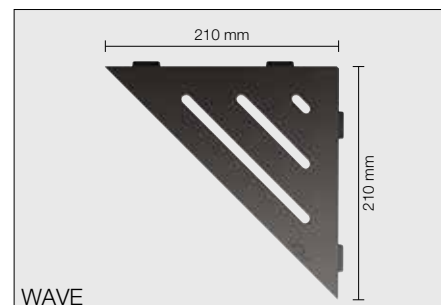
i
Also for retrofit installation – textured aluminium now available in three new designs: PURE, SQUARE and WAVE



PURE



SQUARE



WAVE

Schlüter®-SHELF-E-S1		
shelf, PURE design, textured aluminium		
Art. No.	€/ U.	P (Unit)
SE S1 D7 MBW	66.50	10
SE S1 D7 MGS	66.50	10
SE S1 D7 TSBG	71.50	10
SE S1 D7 TSC	71.50	10
SE S1 D7 TSDA	71.50	10
SE S1 D7 TSI	71.50	10
SE S1 D7 TSOB	71.50	10
SE S1 D7 TSSG	71.50	10

Schlüter®-SHELF-E-S1		
shelf, SQUARE design, textured aluminium		
Art. No.	€/ U.	P (Unit)
SE S1 D3 MBW	66.50	10
SE S1 D3 MGS	66.50	10
SE S1 D3 TSBG	71.50	10
SE S1 D3 TSC	71.50	10
SE S1 D3 TSDA	71.50	10
SE S1 D3 TSI	71.50	10
SE S1 D3 TSOB	71.50	10
SE S1 D3 TSSG	71.50	10

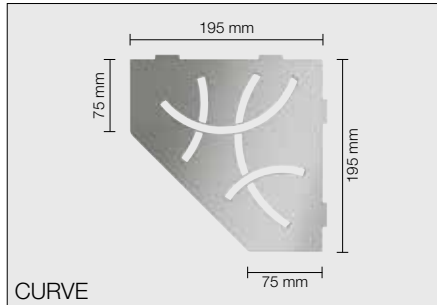
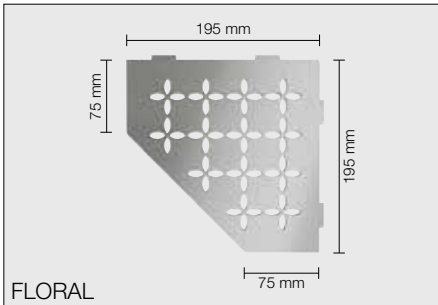
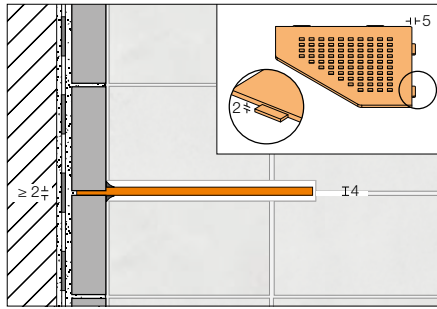
Schlüter®-SHELF-E-S1		
shelf, WAVE design, textured aluminium		
Art. No.	€/ U.	P (Unit)
SE S1 D10 MBW	80.00	10
SE S1 D10 MGS	80.00	10
SE S1 D10 TSBG	85.00	10
SE S1 D10 TSC	85.00	10
SE S1 D10 TSDA	85.00	10
SE S1 D10 TSI	85.00	10
SE S1 D10 TSOB	85.00	10
SE S1 D10 TSSG	85.00	10



Schlüter®-SHELF-E-S2

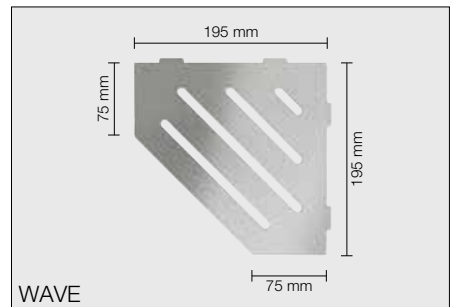
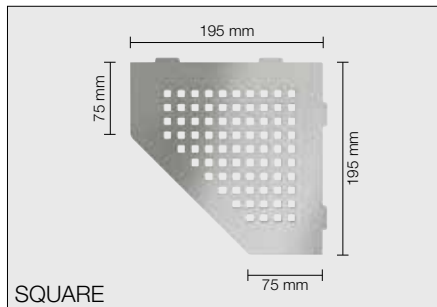
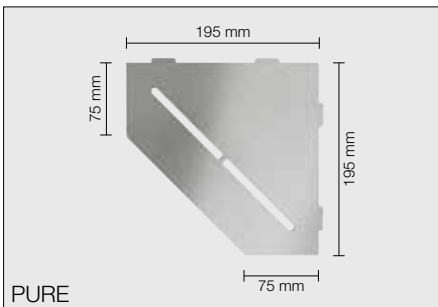
Schlüter-SHELF-E-S2 are pentagonal shelves for installation in corners. They are available in the design variants FLORAL, CURVE, PURE, SQUARE and WAVE in the finish choices brushed stainless steel or TRENDLINE powder coated aluminium. The shelves can be integrated into the tile assembly during tile installation or retrofitted into the joints of tiled walls, using the 2 mm attachment tabs. SHELF-E-S2 are suitable as shelves in shower areas, but can also be integrated into other tiled areas such as tiled kitchen walls.

(Product data sheet 17.1)



Schlüter®-SHELF-E-S2		
shelf, FLORAL design, brushed stainless steel		
Art. No.	€/ U.	P (Unit)
SE S2 D5 EB	91.13	10

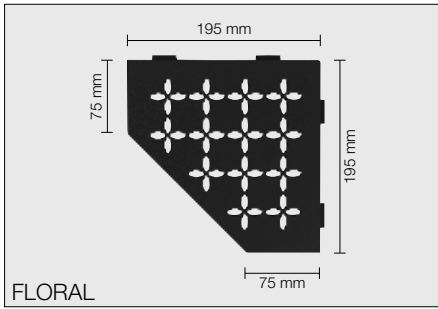
Schlüter®-SHELF-E-S2		
shelf, CURVE design, brushed stainless steel		
Art. No.	€/ U.	P (Unit)
SE S2 D6 EB	86.06	10



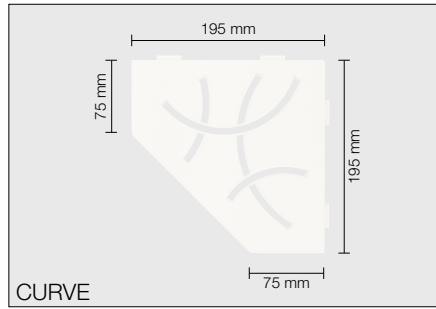
Schlüter®-SHELF-E-S2		
shelf, PURE design, brushed stainless steel		
Art. No.	€/ U.	P (Unit)
SE S2 D7 EB	90.00	10

Schlüter®-SHELF-E-S2		
shelf, SQUARE design, brushed stainless steel		
Art. No.	€/ U.	P (Unit)
SE S2 D3 EB	90.00	10

Schlüter®-SHELF-E-S2		
shelf, WAVE design, brushed stainless steel		
Art. No.	€/ U.	P (Unit)
SE S2 D10 EB	90.00	10



FLORAL

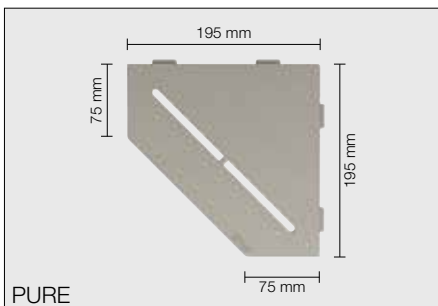


CURVE

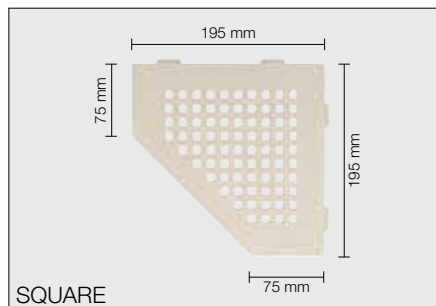
Schlüter®-SHELF-E-S2		
shelf, FLORAL design, textured aluminium		
Art. No.	€ / U.	P (Unit)
SE S2 D5 MBW	67.33	10
SE S2 D5 MGS	67.33	10
SE S2 D5 TSBG	73.41	10
SE S2 D5 TSC	73.41	10
SE S2 D5 TSDA	73.41	10
SE S2 D5 TSI	73.41	10
SE S2 D5 TSOB	73.41	10
SE S2 D5 TSSG	73.41	10

Schlüter®-SHELF-E-S2		
shelf, CURVE design, textured aluminium		
Art. No.	€ / U.	P (Unit)
SE S2 D6 MBW	63.28	10
SE S2 D6 MGS	63.28	10
SE S2 D6 TSBG	69.36	10
SE S2 D6 TSC	69.36	10
SE S2 D6 TSDA	69.36	10
SE S2 D6 TSI	69.36	10
SE S2 D6 TSOB	69.36	10
SE S2 D6 TSSG	69.36	10

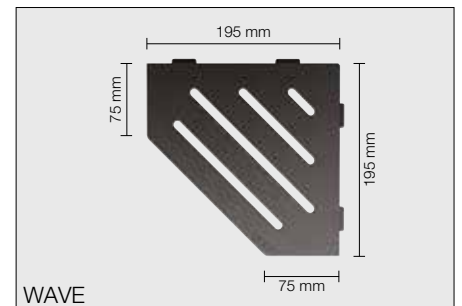
i
Also for retrofit installation – textured aluminium now available in three new designs: PURE, SQUARE and WAVE



PURE



SQUARE



WAVE

Schlüter®-SHELF-E-S2		
shelf, PURE design, textured aluminium		
Art. No.	€ / U.	P (Unit)
SE S2 D7 MBW	67.50	10
SE S2 D7 MGS	67.50	10
SE S2 D7 TSBG	73.50	10
SE S2 D7 TSC	73.50	10
SE S2 D7 TSDA	73.50	10
SE S2 D7 TSI	73.50	10
SE S2 D7 TSOB	73.50	10
SE S2 D7 TSSG	73.50	10

Schlüter®-SHELF-E-S2		
shelf, SQUARE design, textured aluminium		
Art. No.	€ / U.	P (Unit)
SE S2 D3 MBW	67.50	10
SE S2 D3 MGS	67.50	10
SE S2 D3 TSBG	73.50	10
SE S2 D3 TSC	73.50	10
SE S2 D3 TSDA	73.50	10
SE S2 D3 TSI	73.50	10
SE S2 D3 TSOB	73.50	10
SE S2 D3 TSSG	73.50	10

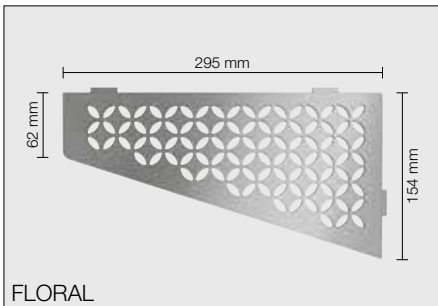
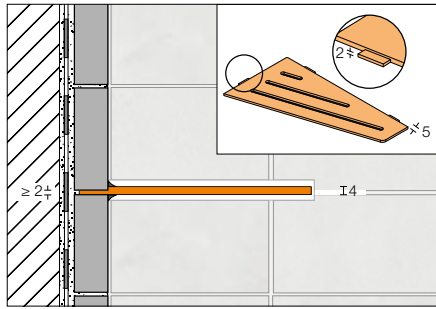
Schlüter®-SHELF-E-S2		
shelf, WAVE design, textured aluminium		
Art. No.	€ / U.	P (Unit)
SE S2 D10 MBW	67.50	10
SE S2 D10 MGS	67.50	10
SE S2 D10 TSBG	73.50	10
SE S2 D10 TSC	73.50	10
SE S2 D10 TSDA	73.50	10
SE S2 D10 TSI	73.50	10
SE S2 D10 TSOB	73.50	10
SE S2 D10 TSSG	73.50	10



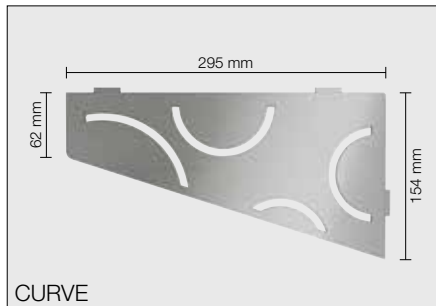
Schlüter®-SHELF-E-S3

Schlüter-SHELF-E-S3 are quadrangular shelves with asymmetrical side lengths for installation in corners. They are available in the design variants FLORAL, CURVE, PURE, SQUARE and WAVE in the finish choices brushed stainless steel or TRENDLINE powder coated aluminium. The shelves can be integrated into the tile assembly during tile installation or retrofitted into the joints of tiled walls, using the 2 mm attachment tabs. SHELF-E-S3 are suitable as shelves in shower areas, but can also be integrated into other tiled areas such as tiled kitchen walls.

(Product data sheet 17.1)



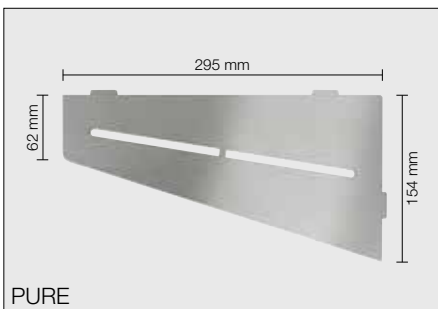
FLORAL



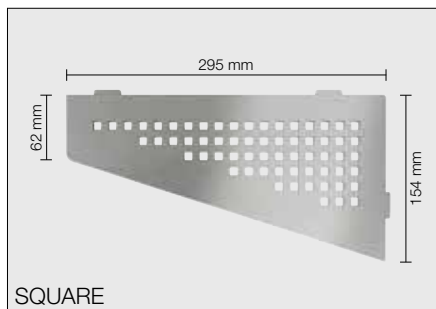
CURVE

Schlüter®-SHELF-E-S3		
shelf, FLORAL design, brushed stainless steel		
Art. No.	€/ U.	P (Unit)
SE S3 D5 EB	96.19	10

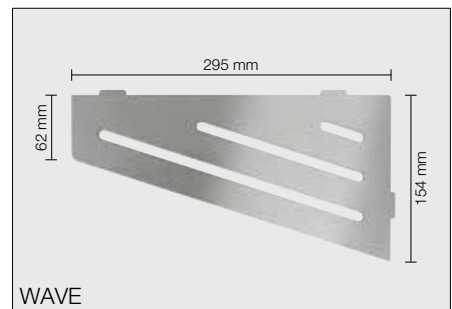
Schlüter®-SHELF-E-S3		
shelf, CURVE design, brushed stainless steel		
Art. No.	€/ U.	P (Unit)
SE S3 D6 EB	91.13	10



PURE



SQUARE

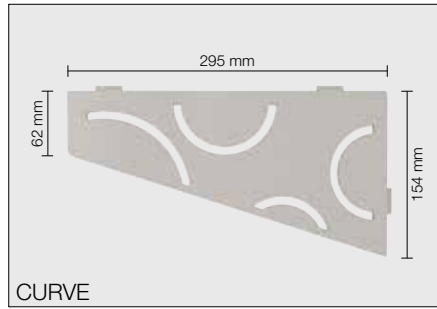
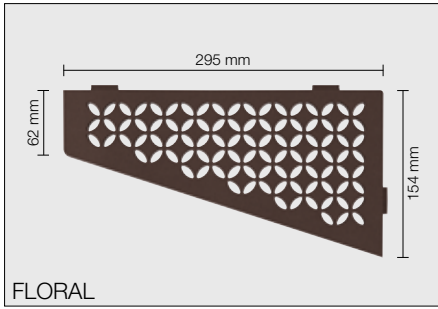


WAVE

Schlüter®-SHELF-E-S3		
shelf, PURE design, brushed stainless steel		
Art. No.	€/ U.	P (Unit)
SE S3 D7 EB	95.00	10

Schlüter®-SHELF-E-S3		
shelf, SQUARE design, brushed stainless steel		
Art. No.	€/ U.	P (Unit)
SE S3 D3 EB	95.00	10

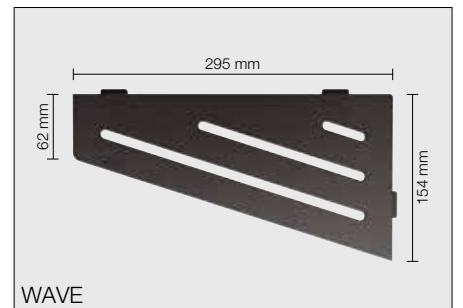
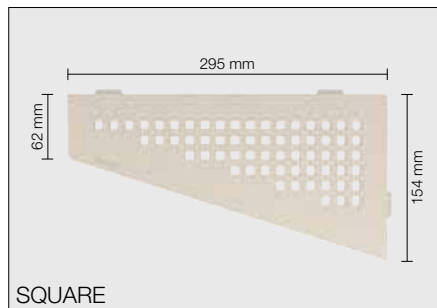
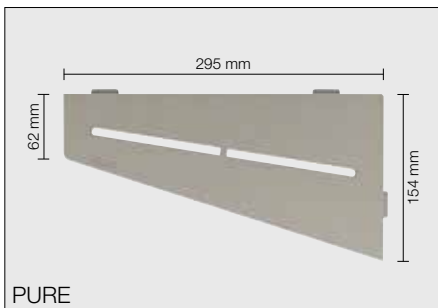
Schlüter®-SHELF-E-S3		
shelf, WAVE design, brushed stainless steel		
Art. No.	€/ U.	P (Unit)
SE S3 D10 EB	95.00	10



Schlüter®-SHELF-E-S3		
shelf, FLORAL design, textured aluminium		
Art. No.	€/ U.	P (Unit)
SE S3 D5 MBW	69.86	10
SE S3 D5 MGS	69.86	10
SE S3 D5 TSBG	75.94	10
SE S3 D5 TSC	75.94	10
SE S3 D5 TSDA	75.94	10
SE S3 D5 TSI	75.94	10
SE S3 D5 TSOB	75.94	10
SE S3 D5 TSSG	75.94	10

Schlüter®-SHELF-E-S3		
shelf, CURVE design, textured aluminium		
Art. No.	€/ U.	P (Unit)
SE S3 D6 MBW	64.80	10
SE S3 D6 MGS	64.80	10
SE S3 D6 TSBG	70.88	10
SE S3 D6 TSC	70.88	10
SE S3 D6 TSDA	70.88	10
SE S3 D6 TSI	70.88	10
SE S3 D6 TSOB	70.88	10
SE S3 D6 TSSG	70.88	10

i
Also for retrofit installation – textured aluminium now available in three new designs: PURE, SQUARE and WAVE



Schlüter®-SHELF-E-S3		
shelf, PURE design, textured aluminium		
Art. No.	€/ U.	P (Unit)
SE S3 D7 MBW	70.00	10
SE S3 D7 MGS	70.00	10
SE S3 D7 TSBG	75.00	10
SE S3 D7 TSC	75.00	10
SE S3 D7 TSDA	75.00	10
SE S3 D7 TSI	75.00	10
SE S3 D7 TSOB	75.00	10
SE S3 D7 TSSG	75.00	10

Schlüter®-SHELF-E-S3		
shelf, SQUARE design, textured aluminium		
Art. No.	€/ U.	P (Unit)
SE S3 D3 MBW	70.00	10
SE S3 D3 MGS	70.00	10
SE S3 D3 TSBG	75.00	10
SE S3 D3 TSC	75.00	10
SE S3 D3 TSDA	75.00	10
SE S3 D3 TSI	75.00	10
SE S3 D3 TSOB	75.00	10
SE S3 D3 TSSG	75.00	10

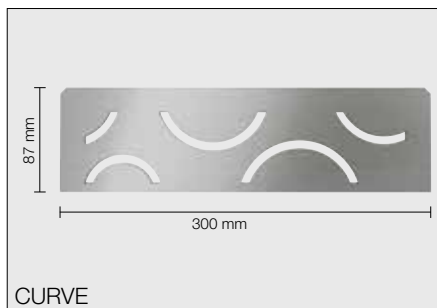
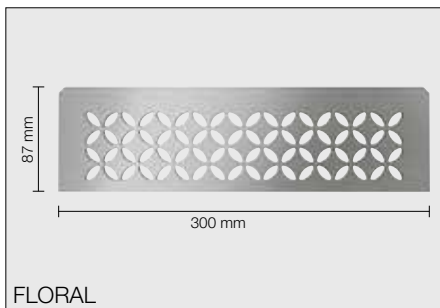
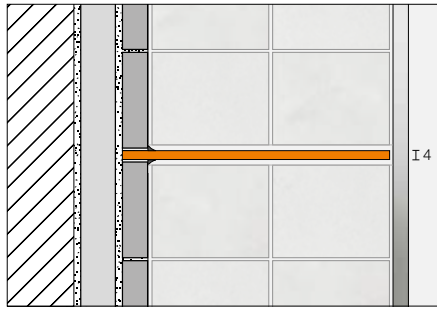
Schlüter®-SHELF-E-S3		
shelf, WAVE design, textured aluminium		
Art. No.	€/ U.	P (Unit)
SE S3 D10 MBW	70.00	10
SE S3 D10 MGS	70.00	10
SE S3 D10 TSBG	75.00	10
SE S3 D10 TSC	75.00	10
SE S3 D10 TSDA	75.00	10
SE S3 D10 TSI	75.00	10
SE S3 D10 TSOB	75.00	10
SE S3 D10 TSSG	75.00	10



Schlüter®-SHELF-N

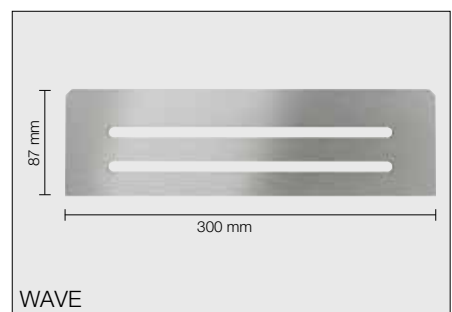
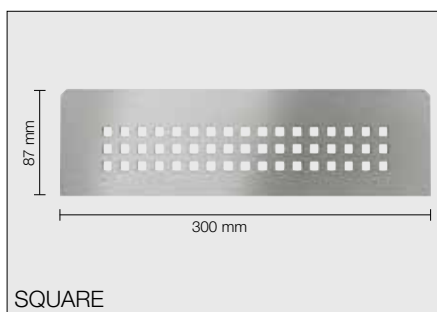
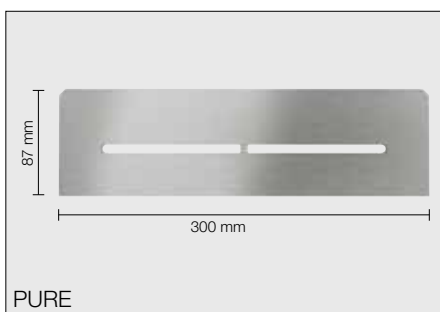
Schlüter-SHELF-N are rectangular shelves for use in prefabricated Schlüter-KERDI-BOARD-N niches. They are available in the design variants FLORAL, CURVE, PURE, SQUARE and WAVE, in the finish choices brushed stainless steel or TRENDLINE powder coated aluminium. They are precisely fitted as a shelf in KERDI-BOARD-N niches during tile installation.

(Product data sheet 17.1)



Schlüter®-SHELF-N-S1		
shelf, FLORAL design, brushed stainless steel		
Art. No.	€/ U.	P (Unit)
SN S1 D5 EB	89.61	10

Schlüter®-SHELF-N-S1		
shelf, CURVE design, brushed stainless steel		
Art. No.	€/ U.	P (Unit)
SN S1 D6 EB	83.53	10



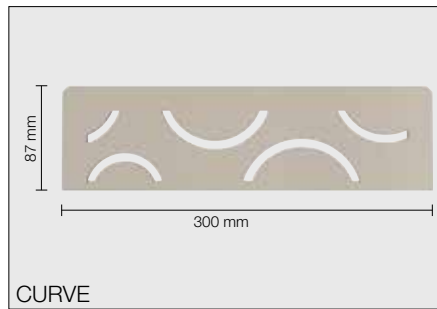
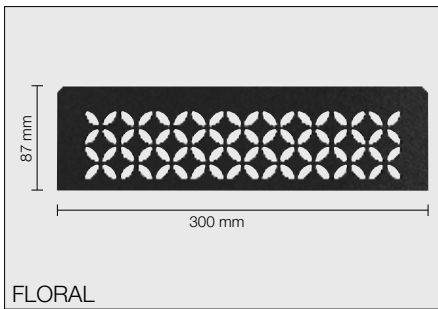
Schlüter®-SHELF-N-S1		
shelf, PURE design, brushed stainless steel		
Art. No.	€/ U.	P (Unit)
SN S1 D7 EB	90.00	10

Schlüter®-SHELF-N-S1		
shelf, SQUARE design, brushed stainless steel		
Art. No.	€/ U.	P (Unit)
SN S1 D3 EB	90.00	10

Schlüter®-SHELF-N-S1		
shelf, WAVE design, brushed stainless steel		
Art. No.	€/ U.	P (Unit)
SN S1 D10 EB	90.00	10

Note:

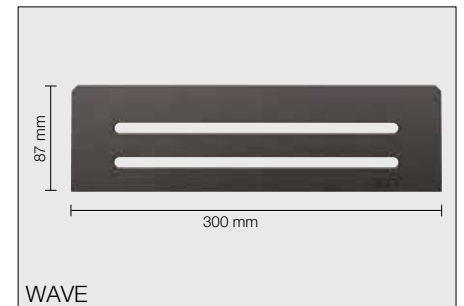
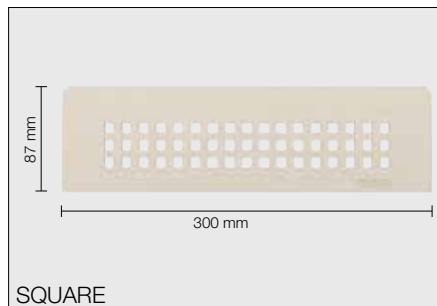
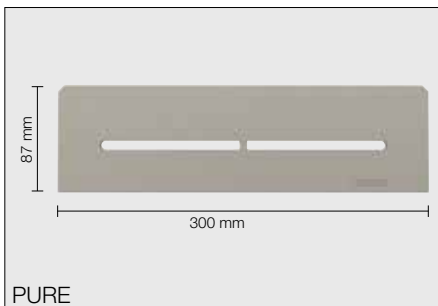
The Schlüter-KERDI-BOARD-N niches can be found in our price list KB 21 on page 6–7.



Schlüter®-SHELF-N-S1		
shelf, FLORAL design, textured aluminium		
Art. No.	€/ U.	P (Unit)
SN S1 D5 MBW	64.80	10
SN S1 D5 MGS	64.80	10
SN S1 D5 TSBG	70.88	10
SN S1 D5 TSC	70.88	10
SN S1 D5 TSDA	70.88	10
SN S1 D5 TSI	70.88	10
SN S1 D5 TSOB	70.88	10
SN S1 D5 TSSG	70.88	10

Schlüter®-SHELF-N-S1		
shelf, CURVE design, textured aluminium		
Art. No.	€/ U.	P (Unit)
SN S1 D6 MBW	55.69	10
SN S1 D6 MGS	55.69	10
SN S1 D6 TSBG	60.75	10
SN S1 D6 TSC	60.75	10
SN S1 D6 TSDA	60.75	10
SN S1 D6 TSI	60.75	10
SN S1 D6 TSOB	60.75	10
SN S1 D6 TSSG	60.75	10

i
For Schlüter-KERDI-BOARD-N niches – textured aluminium now available in three new designs: PURE, SQUARE and WAVE



Schlüter®-SHELF-N-S1		
shelf, PURE design, textured aluminium		
Art. No.	€/ U.	P (Unit)
SN S1 D7 MBW	66.50	10
SN S1 D7 MGS	66.50	10
SN S1 D7 TSBG	71.50	10
SN S1 D7 TSC	71.50	10
SN S1 D7 TSDA	71.50	10
SN S1 D7 TSI	71.50	10
SN S1 D7 TSOB	71.50	10
SN S1 D7 TSSG	71.50	10

Schlüter®-SHELF-N-S1		
shelf, SQUARE design, textured aluminium		
Art. No.	€/ U.	P (Unit)
SN S1 D3 MBW	66.50	10
SN S1 D3 MGS	66.50	10
SN S1 D3 TSBG	71.50	10
SN S1 D3 TSC	71.50	10
SN S1 D3 TSDA	71.50	10
SN S1 D3 TSI	71.50	10
SN S1 D3 TSOB	71.50	10
SN S1 D3 TSSG	71.50	10

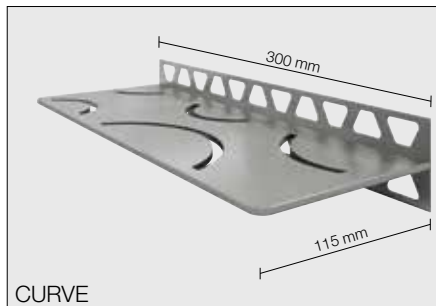
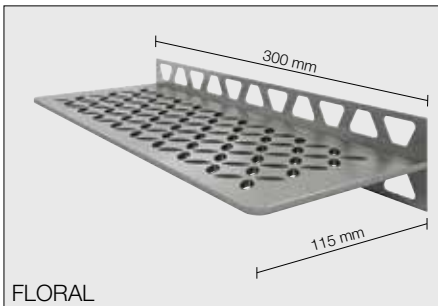
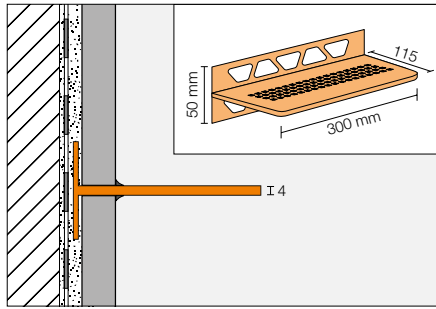
Schlüter®-SHELF-N-S1		
shelf, WAVE design, textured aluminium		
Art. No.	€/ U.	P (Unit)
SN S1 D10 MBW	66.50	10
SN S1 D10 MGS	66.50	10
SN S1 D10 TSBG	71.50	10
SN S1 D10 TSC	71.50	10
SN S1 D10 TSDA	71.50	10
SN S1 D10 TSI	71.50	10
SN S1 D10 TSOB	71.50	10
SN S1 D10 TSSG	71.50	10



Schlüter®-SHELF-W

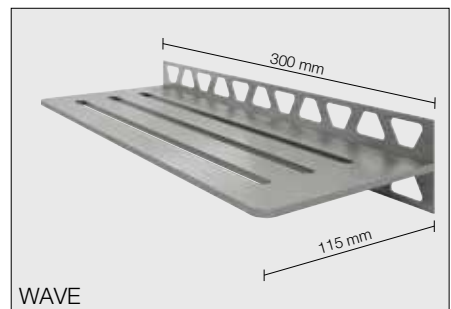
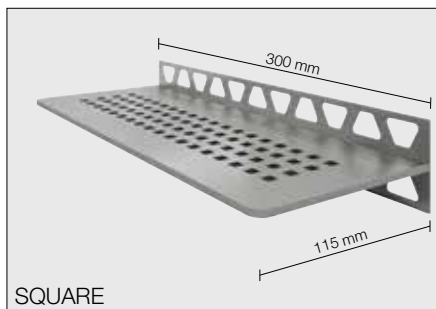
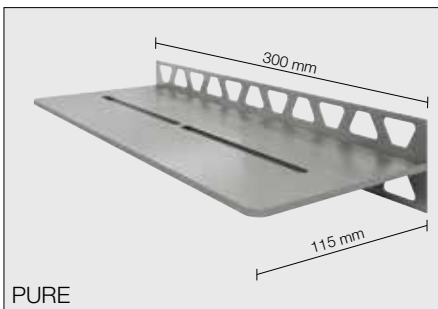
Schlüter-SHELF-W are rectangular shelves for wall surfaces. They are available in the design variants FLORAL, CURVE, PURE, SQUARE and WAVE in the finish choices brushed stainless steel or TRENDLINE powder coated aluminium. Their trapezoid perforated anchoring legs are integrated into the tile assembly during tile installation. They are suitable as shelves in shower areas, but can also be integrated into other tiled areas such as tiled kitchen walls.

(Product data sheet 17.1)



Schlüter®-SHELF-W-S1		
shelf, FLORAL design, brushed stainless steel		
Art. No.	€/ U.	P (Unit)
SW S1 D5 EB	121.50	10

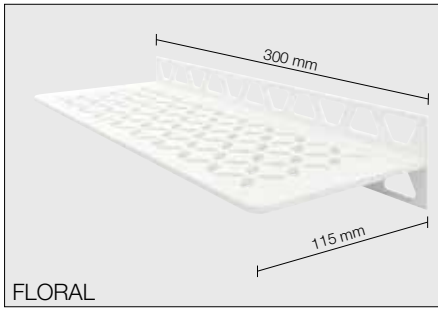
Schlüter®-SHELF-W-S1		
shelf, CURVE design, brushed stainless steel		
Art. No.	€/ U.	P (Unit)
SW S1 D6 EB	111.38	10



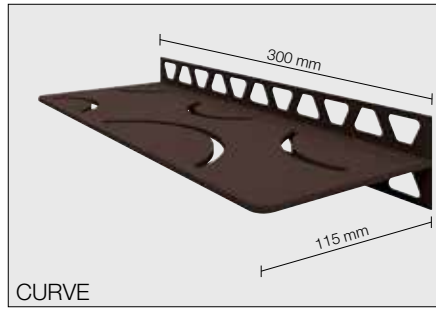
Schlüter®-SHELF-W-S1		
shelf, PURE design, brushed stainless steel		
Art. No.	€/ U.	P (Unit)
SW S1 D7 EB	125.00	10

Schlüter®-SHELF-W-S1		
shelf, SQUARE design, brushed stainless steel		
Art. No.	€/ U.	P (Unit)
SW S1 D3 EB	125.00	10

Schlüter®-SHELF-W-S1		
shelf, WAVE design, brushed stainless steel		
Art. No.	€/ U.	P (Unit)
SW S1 D10 EB	125.00	10



FLORAL

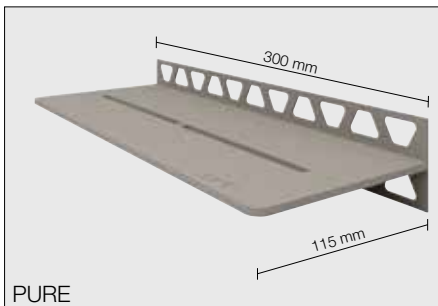


CURVE

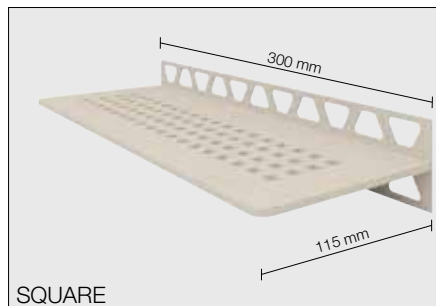
Schlüter®-SHELF-W-S1		
shelf, FLORAL design, textured aluminium		
Art. No.	€/ U.	P (Unit)
SW S1 D5 MBW	93.66	10
SW S1 D5 MGS	93.66	10
SW S1 D5 TSBG	99.73	10
SW S1 D5 TSC	99.73	10
SW S1 D5 TSDA	99.73	10
SW S1 D5 TSI	99.73	10
SW S1 D5 TSOB	99.73	10
SW S1 D5 TSSG	99.73	10

Schlüter®-SHELF-W-S1		
shelf, CURVE design, textured aluminium		
Art. No.	€/ U.	P (Unit)
SW S1 D6 MBW	83.53	10
SW S1 D6 MGS	83.53	10
SW S1 D6 TSBG	89.61	10
SW S1 D6 TSC	89.61	10
SW S1 D6 TSDA	89.61	10
SW S1 D6 TSI	89.61	10
SW S1 D6 TSOB	89.61	10
SW S1 D6 TSSG	89.61	10

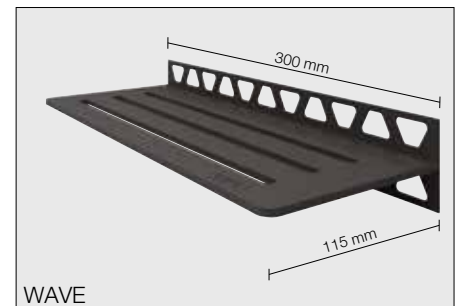
i
Textured aluminium now available in three new designs: PURE, SQUARE and WAVE



PURE



SQUARE

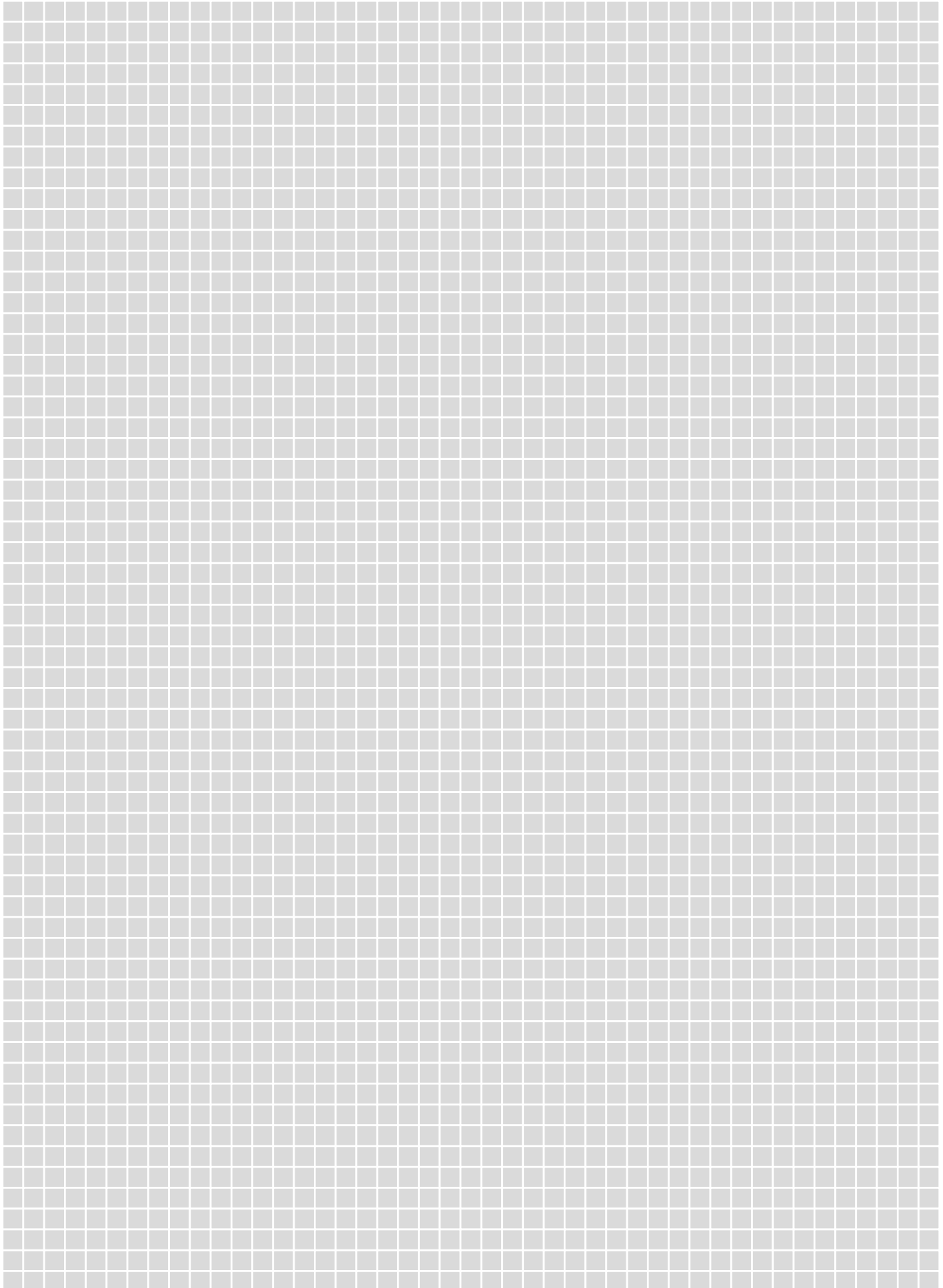


WAVE

Schlüter®-SHELF-W-S1		
shelf, PURE design, textured aluminium		
Art. No.	€/ U.	P (Unit)
SW S1 D7 MBW	95.00	10
SW S1 D7 MGS	95.00	10
SW S1 D7 TSBG	100.00	10
SW S1 D7 TSC	100.00	10
SW S1 D7 TSDA	100.00	10
SW S1 D7 TSI	100.00	10
SW S1 D7 TSOB	100.00	10
SW S1 D7 TSSG	100.00	10

Schlüter®-SHELF-W-S1		
shelf, SQUARE design, textured aluminium		
Art. No.	€/ U.	P (Unit)
SW S1 D3 MBW	95.00	10
SW S1 D3 MGS	95.00	10
SW S1 D3 TSBG	100.00	10
SW S1 D3 TSC	100.00	10
SW S1 D3 TSDA	100.00	10
SW S1 D3 TSI	100.00	10
SW S1 D3 TSOB	100.00	10
SW S1 D3 TSSG	100.00	10

Schlüter®-SHELF-W-S1		
shelf, WAVE design, textured aluminium		
Art. No.	€/ U.	P (Unit)
SW S1 D10 MBW	95.00	10
SW S1 D10 MGS	95.00	10
SW S1 D10 TSBG	100.00	10
SW S1 D10 TSC	100.00	10
SW S1 D10 TSDA	100.00	10
SW S1 D10 TSI	100.00	10
SW S1 D10 TSOB	100.00	10
SW S1 D10 TSSG	100.00	10



General Terms and Conditions



Our General Terms and Conditions, which can be downloaded in its most recent version under: www.schlueter-systems.com/agb or which we gladly send you upon request, apply exclusively.



Legend

P = box packaging
KV = case packaging
PL = euro pallet
Unit = units

Dimensions

H = height
L = length
B = width
T = depth

Innovations

 New product



www.schlueter-systems.com



Subject to the Standard Terms and Conditions of Sale of Schlüter-Systems KG.

Errors, changes, and printing mistakes as well as changes necessary in the interest of product innovation or shipping reserved. For reasons of printing, colours shown in this price list may differ from actual product colours.



P R O F I L E O F I N N O V A T I O N

Schlüter-Systems KG · Schmölestraße 7 · D-58640 Iserlohn
Tel.: +49 2371 971-0 · Fax: +49 2371 971-111 · info@schlueter.de · www.schlueter-systems.com