



Schlüter®-SYSTEMS

Supplementary Price List Spring 2019

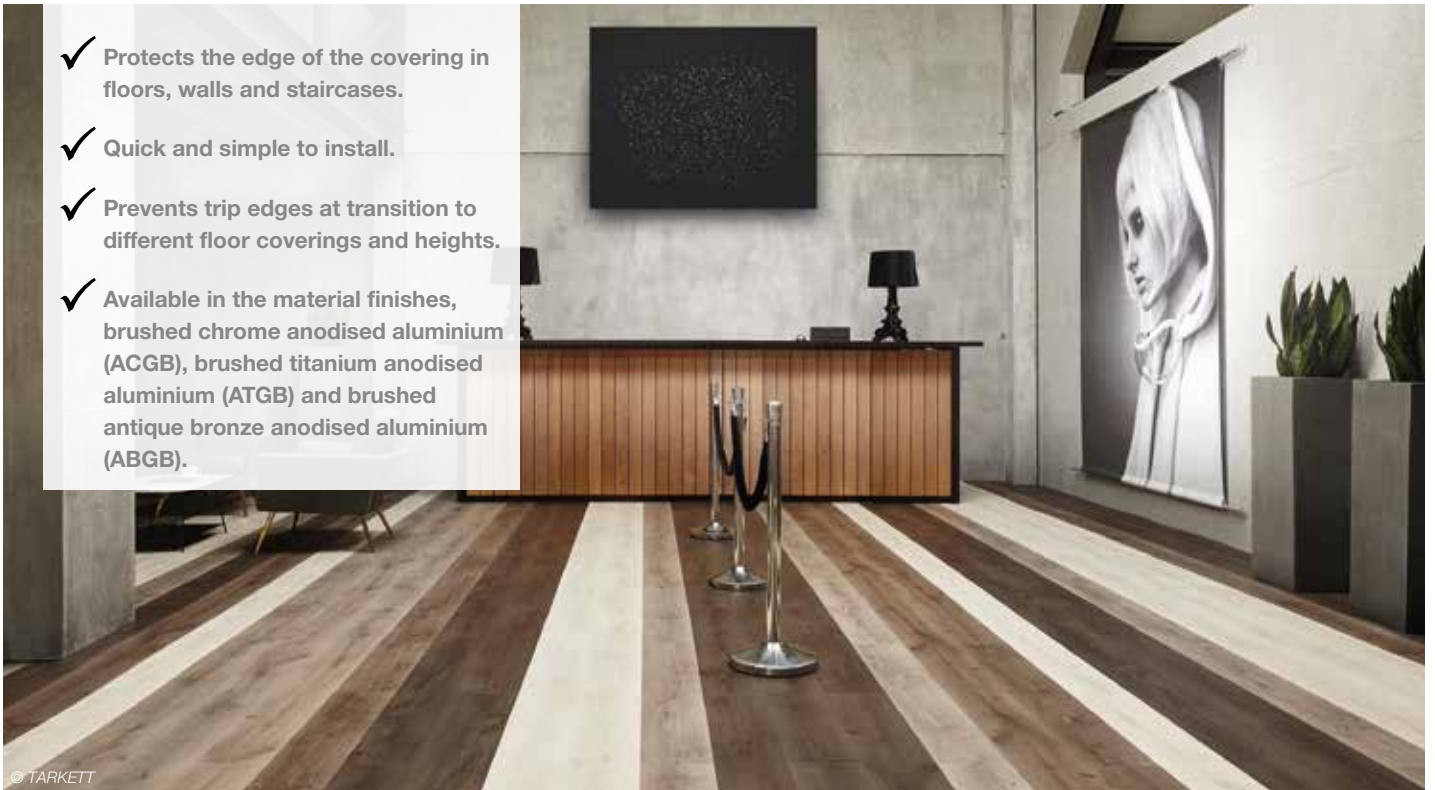
Export

2019



Finishing, edge protection and transition profiles for LVT coverings

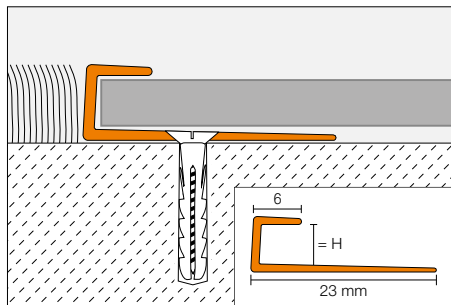
- ✓ Protects the edge of the covering in floors, walls and staircases.
- ✓ Quick and simple to install.
- ✓ Prevents trip edges at transition to different floor coverings and heights.
- ✓ Available in the material finishes, brushed chrome anodised aluminium (ACGB), brushed titanium anodised aluminium (ATGB) and brushed antique bronze anodised aluminium (ABGB).



© TARKETT

Schlüter®-VINPRO-S

Schlüter®-VINPRO-S is an edge profile for vinyl and LVT type coverings. Designed to protect the edge of the vinyl or LVT covering at the transition to other coverings of the same or similar height. The profile can also be used as a finishing profile where vinyl is returned up the wall as a skirting detail. (Product data sheet 18.1)



Schlüter®-VINPRO-S-ACGB			
brushed chrome anodised aluminium			
H (mm)	L = 2.50 m Art.-No.	€/m	KV (Unit)
3	VPS 30 ACGB	7.00	120
4	VPS 40 ACGB	7.05	120
5	VPS 50 ACGB	7.10	120
6	VPS 60 ACGB	7.15	120

Schlüter®-VINPRO-S-ATGB			
brushed titanium anodised aluminium			
H (mm)	L = 2.50 m Art.-No.	€/m	KV (Unit)
3	VPS 30 ATGB	7.00	120
4	VPS 40 ATGB	7.05	120
5	VPS 50 ATGB	7.10	120
6	VPS 60 ATGB	7.15	120

Schlüter®-VINPRO-S-ABGB			
brushed antique bronze anodised aluminium			
H (mm)	L = 2.50 m Art.-No.	€/m	KV (Unit)
3	VPS 30 ABGB	7.00	120
4	VPS 40 ABGB	7.05	120
5	VPS 50 ABGB	7.10	120
6	VPS 60 ABGB	7.15	120



Available in July 2019

Example: Skirting detail

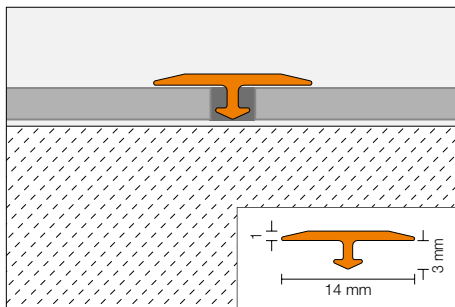




Schlüter®-VINPRO-T

Schlüter®-VINPRO-T is a profile to adjoin low height e.g. vinyl or LVT coverings of the same height.

(Product data sheet 18.2)



Schlüter®-VINPRO-T-ACGB				
brushed chrome anodised aluminium				
H (mm)	B (mm)	L = 2.50 m Art.-No.	€/m	KV (Unit)
3	14	VPT 3/14 ACGB	4.70	120

Schlüter®-VINPRO-T-ATGB				
brushed titanium anodised aluminium				
H (mm)	B (mm)	L = 2.50 m Art.-No.	€/m	KV (Unit)
3	14	VPT 3/14 ATGB	4.70	120

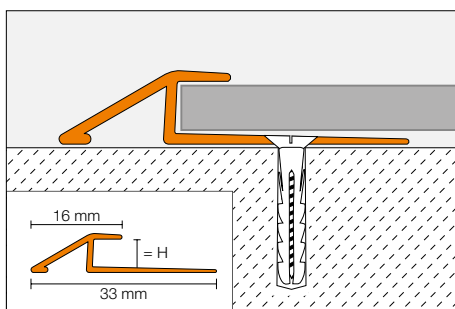
Schlüter®-VINPRO-T-ABGB				
brushed antique bronze anodised aluminium				
H (mm)	B (mm)	L = 2.50 m Art.-No.	€/m	KV (Unit)
3	14	VPT 3/14 ABGB	4.70	120

Available in July 2019

Schlüter®-VINPRO-U

Schlüter®-VINPRO-U is a transition profile for vinyl and LVT type flooring where they adjoin floor coverings at a lower height.

(Product data sheet 18.3)



Schlüter®-VINPRO-U-ACGB			
brushed chrome anodised aluminium			
H (mm)	L = 2.50 m Art.-No.	€/m	KV (Unit)
3	VPU 30 ACGB	7.85	120
4	VPU 40 ACGB	8.00	120
5	VPU 50 ACGB	8.25	120
6	VPU 60 ACGB	8.50	120

Schlüter®-VINPRO-U-ATGB			
brushed titanium anodised aluminium			
H (mm)	L = 2.50 m Art.-No.	€/m	KV (Unit)
3	VPU 30 ATGB	7.85	120
4	VPU 40 ATGB	8.00	120
5	VPU 50 ATGB	8.25	120
6	VPU 60 ATGB	8.50	120

Schlüter®-VINPRO-U-ABGB			
brushed antique bronze anodised aluminium			
H (mm)	L = 2.50 m Art.-No.	€/m	KV (Unit)
3	VPU 30 ABGB	7.85	120
4	VPU 40 ABGB	8.00	120
5	VPU 50 ABGB	8.25	120
6	VPU 60 ABGB	8.50	120

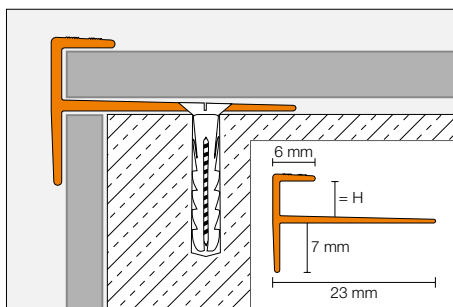
Available in July 2019



Schlüter®-VINPRO-STEP

Schlüter®-VINPRO-STEP is a finishing and edge protection profile for vinyl and LVT type coverings on step edges. The profile shape allows for an anti-slip textured footer, and the vertical covering to be capped to create a neat, safe and decorative detail.

(Product data sheet 18.4)



Schlüter®-VINPRO-STEP-ACGB			
brushed chrome anodised aluminium			
H (mm)	L = 2.50 m Art.-No.	€ / m	KV (Unit)
3	VPST 30 ACGB	8.30	120
4	VPST 40 ACGB	8.50	120
5	VPST 50 ACGB	8.75	120
6	VPST 60 ACGB	9.00	120

Schlüter®-VINPRO-STEP-ATGB			
brushed titanium anodised aluminium			
H (mm)	L = 2.50 m Art.-No.	€ / m	KV (Unit)
3	VPST 30 ATGB	8.30	120
4	VPST 40 ATGB	8.50	120
5	VPST 50 ATGB	8.75	120
6	VPST 60 ATGB	9.00	120

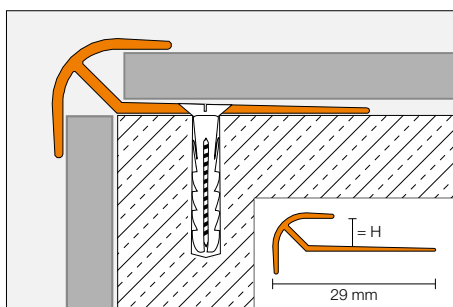
Schlüter®-VINPRO-STEP-ABGB			
brushed antique bronze anodised aluminium			
H (mm)	L = 2.50 m Art.-No.	€ / m	KV (Unit)
3	VPST 30 ABGB	8.30	120
4	VPST 40 ABGB	8.50	120
5	VPST 50 ABGB	8.75	120
6	VPST 60 ABGB	9.00	120

Available in July 2019

Schlüter®-VINPRO-RO

Schlüter®-VINPRO-RO is a finishing and edge protection profile for creating symmetrically rounded external corners and step edges on vinyl and LVT type coverings

(Product data sheet 18.5)



Schlüter®-VINPRO-RO-ACGB			
brushed chrome anodised aluminium			
H (mm)	L = 2.50 m Art.-No.	€ / m	KV (Unit)
3	VPRO 30 ACGB	8.25	120
4	VPRO 40 ACGB	8.50	120
5	VPRO 50 ACGB	8.75	120
6	VPRO 60 ACGB	9.00	120

Schlüter®-VINPRO-RO-ATGB			
brushed titanium anodised aluminium			
H (mm)	L = 2.50 m Art.-No.	€ / m	KV (Unit)
3	VPRO 30 ATGB	8.25	120
4	VPRO 40 ATGB	8.50	120
5	VPRO 50 ATGB	8.75	120
6	VPRO 60 ATGB	9.00	120

Schlüter®-VINPRO-RO-ABGB			
brushed antique bronze anodised aluminium			
H (mm)	L = 2.50 m Art.-No.	€ / m	KV (Unit)
3	VPRO 30 ABGB	8.25	120
4	VPRO 40 ABGB	8.50	120
5	VPRO 50 ABGB	8.75	120
6	VPRO 60 ABGB	9.00	120

Available in July 2019



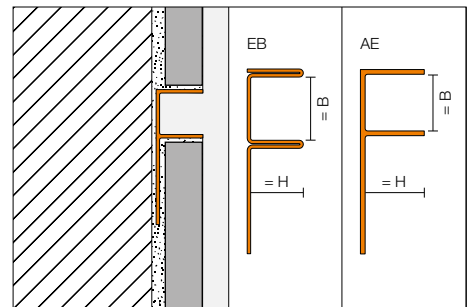
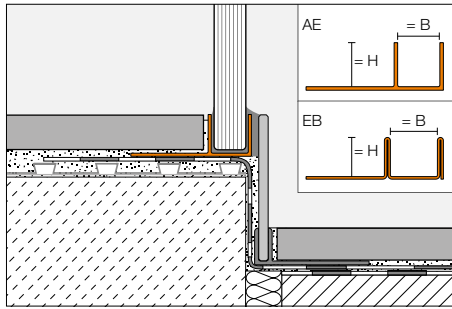
Example: Skirting detail



Schlüter®-DECO-SG

Schlüter®-DECO-SG is a decorative profile for joint design in tile coverings. It forms either a 12 mm or 15 mm wide shadow gap. The profile is ideal for holding and fixing glass elements in the floor and wall area.

(Product data sheet 2.16)



Schlüter®-DECO-SG-AE			
anodised aluminium, B = 12 mm			
H (mm)	L = 2.50 m Art.-No.	€/m	KV (Unit)
8	SG 80 AE 12	14.51	120
10	SG 100 AE 12	14.89	120
11	SG 110 AE 12	15.24	120
12.5	SG 125 AE 12	15.63	120

Schlüter®-DECO-SG-AE			
anodised aluminium, B = 15 mm			
H (mm)	L = 2.50 m Art.-No.	€/m	KV (Unit)
8	SG 80 AE 15	17.00	120
10	SG 100 AE 15	17.25	120
11	SG 110 AE 15	17.85	120
12.5	SG 125 AE 15	18.25	120



Schlüter®-DECO-SG-EB			
brushed stainless steel V4A, B = 12 mm			
H (mm)	L = 2.50 m Art.-No.	€/m	KV (Unit)
8	SG 80 EB 12	40.00	120
10	SG 100 EB 12	42.00	120
11	SG 110 EB 12	44.00	120
12.5	SG 125 EB 12	46.00	120

Schlüter®-DECO-SG-EB			
brushed stainless steel V4A, B = 15 mm			
H (mm)	L = 2.50 m Art.-No.	€/m	KV (Unit)
8	SG 80 EB 15	43.00	120
10	SG 100 EB 15	45.00	120
11	SG 110 EB 15	47.00	120
12.5	SG 125 EB 15	49.00	120

i
Now also available
in brushed stainless steel!

i
Schlüter®-DECO-SG-EB
available in April 2019



Schlüter®-KERDI-LINE: Elegant drainage

Schlüter®-KERDI-LINE linear drainages bring elegance and functionality to floor-level showers. We have further optimised our popular 19 mm frames for grate designs A, B and tile pan C:

- ✓ Lower number of support points.
- ✓ Easier and faster cleaning.
- ✓ Tile pan C can accommodate tile thicknesses up to 15 mm.



Modified 19 mm frame



EB



EP

Optimised tile pan C for 19 mm frame

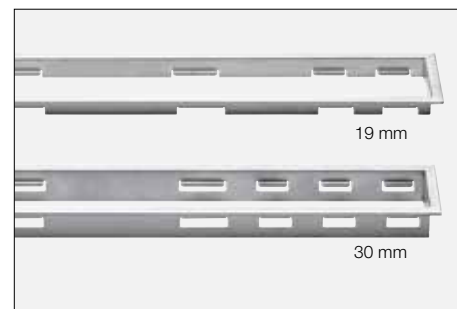
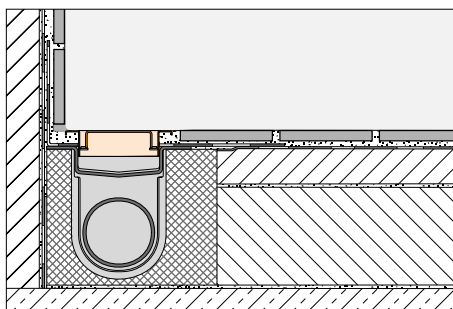


Now suitable for tile thicknesses up to 15 mm.



Schlüter®-KERDI-LINE-A/-B/-C

Schlüter®-KERDI-LINE are profile frames made either of brushed or polished stainless steel with classic grate covers that match the Schlüter®-KERDI-LINE channel bodies. The profile frames are seamlessly height adjustable to accommodate covering materials in thicknesses from 3 to 25 mm. Variants A, B and C are available as covers. (Product data sheet 8.7)

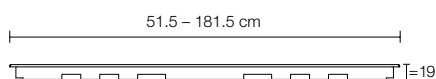
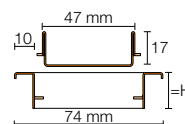
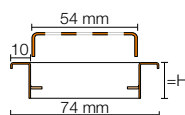
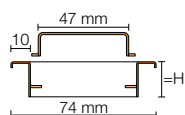


Schlüter®-KERDI-LINE-A				
cover A with 19 mm frame, stainless steel V4A, brushed				
L (cm)	H = 19 mm Art.-No.	€ / Set	P (Set)	
50	KLA 19 EB 50	188.64	10	
60	KLA 19 EB 60	193.68	10	
70	KLA 19 EB 70	198.57	10	
80	KLA 19 EB 80	203.59	10	
90	KLA 19 EB 90	208.51	10	
100	KLA 19 EB 100	213.41	10	
110	KLA 19 EB 110	218.64	10	
120	KLA 19 EB 120	223.69	10	
130	KLA 19 EB 130	318.38	10	
140	KLA 19 EB 140	332.90	10	
150	KLA 19 EB 150	344.35	10	
160	KLA 19 EB 160	362.75	10	
170	KLA 19 EB 170	377.82	10	
180	KLA 19 EB 180	390.66	10	

Schlüter®-KERDI-LINE-B				
cover B with 19 mm frame, stainless steel V4A, brushed				
L (cm)	H = 19 mm Art.-No.	€ / Set	P (Set)	
50	KLB 19 EB 50	188.64	10	
60	KLB 19 EB 60	193.68	10	
70	KLB 19 EB 70	198.57	10	
80	KLB 19 EB 80	203.59	10	
90	KLB 19 EB 90	208.51	10	
100	KLB 19 EB 100	213.41	10	
110	KLB 19 EB 110	218.64	10	
120	KLB 19 EB 120	223.69	10	
130	KLB 19 EB 130	318.38	10	
140	KLB 19 EB 140	332.90	10	
150	KLB 19 EB 150	344.35	10	
160	KLB 19 EB 160	362.75	10	
170	KLB 19 EB 170	377.82	10	
180	KLB 19 EB 180	390.66	10	

Schlüter®-KERDI-LINE-C				
tile pan C with 19 mm frame, stainless steel V4A, brushed				
L (cm)	H = 19 mm Art.-No.	€ / Set	P (Set)	
50	KLCA 19 EB 50	188.64	10	
60	KLCA 19 EB 60	193.68	10	
70	KLCA 19 EB 70	198.57	10	
80	KLCA 19 EB 80	203.59	10	
90	KLCA 19 EB 90	208.51	10	
100	KLCA 19 EB 100	213.41	10	
110	KLCA 19 EB 110	218.64	10	
120	KLCA 19 EB 120	223.69	10	
130	KLCA 19 EB 130	318.38	10	
140	KLCA 19 EB 140	332.90	10	
150	KLCA 19 EB 150	344.35	10	
160	KLCA 19 EB 160	362.75	10	
170	KLCA 19 EB 170	377.82	10	
180	KLCA 19 EB 180	390.66	10	

Note:
H = 19 mm for covering thicknesses 3 - 15 mm



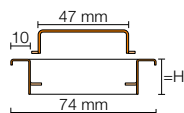
Note:
Tile pan C, suitable for tile thicknesses up to 15 mm

Available in April 2019

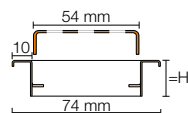


Schlüter®-KERDI-LINE-A				
cover A with 30 mm frame, stainless steel V4A, brushed				
L (cm)	H = 30 mm Art.-No.	€ / Set	P (Set)	
50	KLA 30 EB 50	194.50	10	
60	KLA 30 EB 60	199.16	10	
70	KLA 30 EB 70	204.18	10	
80	KLA 30 EB 80	210.14	10	
90	KLA 30 EB 90	214.34	10	
100	KLA 30 EB 100	219.59	10	
110	KLA 30 EB 110	224.73	10	
120	KLA 30 EB 120	228.94	10	

Note:
H = 30 mm for covering thicknesses
13 - 25 mm



Schlüter®-KERDI-LINE-B				
cover B with 30 mm frame, stainless steel V4A, brushed				
L (cm)	H = 30 mm Art.-No.	€ / Set	P (Set)	
50	KLB 30 EB 50	194.50	10	
60	KLB 30 EB 60	199.16	10	
70	KLB 30 EB 70	204.18	10	
80	KLB 30 EB 80	210.14	10	
90	KLB 30 EB 90	214.34	10	
100	KLB 30 EB 100	219.59	10	
110	KLB 30 EB 110	224.73	10	
120	KLB 30 EB 120	228.94	10	

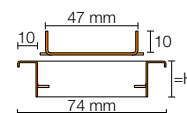


51.5 - 121.5 cm



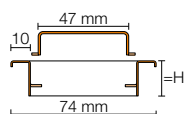
Schlüter®-KERDI-LINE-C				
tile pan C with 30 mm frame, stainless steel V4A, brushed				
L (cm)	H = 30 mm Art.-No.	€ / Set	P (Set)	
50	KLC 30 EB 50	194.50	10	
60	KLC 30 EB 60	199.16	10	
70	KLC 30 EB 70	204.18	10	
80	KLC 30 EB 80	210.14	10	
90	KLC 30 EB 90	214.34	10	
100	KLC 30 EB 100	219.59	10	
110	KLC 30 EB 110	224.73	10	
120	KLC 30 EB 120	228.94	10	

Note:
The designer grate for tile insert C is suitable for tile thicknesses up to 10 mm

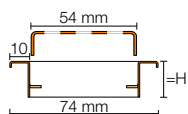


Schlüter®-KERDI-LINE-A				
cover A with 19 mm frame, stainless steel V4A, high-gloss				
L (cm)	H = 19 mm Art.-No.	€ / Set	P (Set)	
50	KLA 19 EP 50	204.68	10	
60	KLA 19 EP 60	210.14	10	
70	KLA 19 EP 70	215.44	10	
80	KLA 19 EP 80	220.89	10	
90	KLA 19 EP 90	226.23	10	
100	KLA 19 EP 100	231.55	10	
110	KLA 19 EP 110	237.23	10	
120	KLA 19 EP 120	242.70	10	

Note:
H = 19 mm covering thicknesses 3 - 15 mm



Schlüter®-KERDI-LINE-B				
cover B with 19 mm frame, stainless steel V4A, high-gloss				
L (cm)	H = 19 mm Art.-No.	€ / Set	P (Set)	
50	KLB 19 EP 50	204.68	10	
60	KLB 19 EP 60	210.14	10	
70	KLB 19 EP 70	215.44	10	
80	KLB 19 EP 80	220.89	10	
90	KLB 19 EP 90	226.23	10	
100	KLB 19 EP 100	231.55	10	
110	KLB 19 EP 110	237.23	10	
120	KLB 19 EP 120	242.70	10	

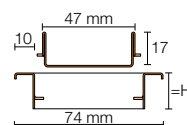


51.5 - 121.5 cm



Schlüter®-KERDI-LINE-C				
tile pan C with 19 mm frame, stainless steel V4A, high-gloss				
L (cm)	H = 19 mm Art.-No.	€ / Set	P (Set)	
50	KLCA 19 EP 50	197.13	10	
60	KLCA 19 EP 60	202.39	10	
70	KLCA 19 EP 70	207.50	10	
80	KLCA 19 EP 80	212.75	10	
90	KLCA 19 EP 90	217.88	10	
100	KLCA 19 EP 100	223.01	10	
110	KLCA 19 EP 110	228.49	10	
120	KLCA 19 EP 120	233.75	10	

Note:
Tile pan C, suitable for tile thicknesses up to 15 mm

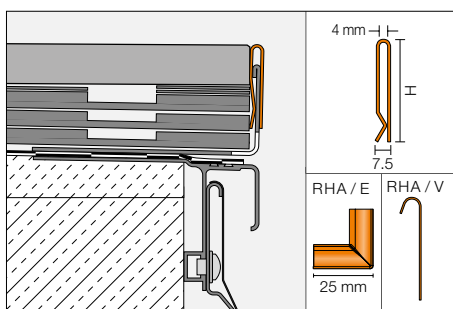


i
Available in April 2019



Schlüter®-BARA-RHA

Schlüter®-BARA-RHA is a height-adjustable finishing profile of colour coated aluminium. It is used in conjunction with the corresponding BARA carrier profiles such as Schlüter®-BARA-RWL or BARA-RKL to cover the exposed edges of balconies and terraces. It is suitable for covering assemblies with individual heights up to 220 mm.
(Product data sheet 5.16)



Schlüter®-BARA-RHA			
colour coated aluminium			
H (mm)	L = 2.50 m Art.-No.	€ / m	KV (Unit)
50	RHA 50 ...*	22.05	40
90	RHA 90 ...*	23.95	40

Schlüter®-BARA-RHA/E 90°			
90° external corner			
H (mm)	Art.-No.	€ / U.	P (Unit)
50	E90 / RHA 50 ...*	11.75	10
90	E90 / RHA 90 ...*	11.75	10

Schlüter®-BARA-RHA/V			
connector			
H (mm)	Art.-No.	€ / U.	P (Unit)
50	V / RHA 50 ...*	7.05	50
90	V / RHA 90 ...*	7.05	50

To complete the Art.-No., add the colour (e.g. V / RHA 50 SB)



* Colours: GM - PG - SB

Note:

The carrier profiles must be ordered separately.



Available in February 2019

Delivery and Payment Conditions

1. General

By placing his order, the purchaser agrees to the following delivery and payment conditions. These conditions shall remain in effect throughout the business relationship unless expressly altered in writing.

We reject all delivery and payment conditions of purchasers that differ from our own. Individual differing purchase conditions shall only be binding if we confirm them in writing.

2. Offers and prices

Unless expressly agreed to the contrary, all offers are understood to be non-binding and subject to change without notice. For all deliveries, the sales price shall be the current price in effect on the day of delivery. The most recently published price list shall supersede all others. Unless otherwise specified, prices are quoted without VAT.

3. Delivery, acceptance, place of performance

For all orders, shipment shall be made at the expense and risk of the purchaser from either the production plant or our warehouse, even in the event of pre-paid freight delivery. We shall not be held liable for damage incurred during shipping or at the final destination. Purchasers shall claim any damage or losses from the shipping company prior to accepting a shipment. Delivery possibility is reserved for all orders. Delayed deliveries shall entitle the purchaser to rescind an order, but shall not represent an entitlement to damages. We accept no liability for timely delivery.

4. Warranty

Complaints concerning defects must be lodged immediately after receipt of the goods and before the installation of any products. Cancellation or reduction may be demanded, but the customer shall be entitled to no other claims of any kind as a result of defective delivery. The place of performance shall be, even for pre-paid delivery, the loading dock in Iserlohn.

For sales according to sample, it shall be warranted only that merchandise shall conform to the sample characteristics. We expressly refer the purchaser to the information in our most current brochures and technical data sheets for product installation. No warranty is made of suitability for any specific application. Advice and instructions for use are given in good faith on the basis of experience and testing, and in accordance with the best of our knowledge, but no liability on our part may be derived therefrom, unless the defectiveness of the delivered product entitles the purchaser to claim warranty or liability payments required by law. Depending on the individual installation situation, users of the product shall be responsible for conducting their own professionally qualified assessment of the product prior to any use of the product to verify it is free of defects and usable. In cases of installing products that do not comply with the state of the art, e.g., due to their novelty, the customer (installer) shall be responsible for making the appropriate arrangements with the property developer.

5. Payment

Invoice amount must be paid in Euros by the Payment Due Date. Rebates and discounts are granted by special arrangement only. Cash discounts on new invoices are not applicable until all due invoices are paid. In the event of payment in arrears, we shall be entitled to claim interest on the payable amount at an amount by 5% higher than the basic interest rate (§247(1), German Civil Code) p.a., starting from the first day of arrears and without additional notification. Acceptance, bills of exchange or cheques taken in payment shall be considered as such only after they have been honoured. Nonconformity to payment terms, or other credit-limiting factors that become apparent after entering the contract agreement, will cause all outstanding invoices to become due immediately and allow us to cancel the contract.

Deliveries to customers who are not known to us, or in the case of small orders, or for any other reason which appears necessary to us, may be sent by us cash on delivery, or (in the event of pick up) cash payment may be demanded upon pick up.

6. Retention of title

The merchandise shall remain our property until all of our claims arising from the business relationship with the purchaser shall be fully paid. The purchaser shall be obliged to notify us of any actions by third parties affecting the delivered merchandise which is under retention of title.

If the delivered merchandise or objects produced from their further processing are resold by the purchaser or installed in a real estate property belonging to a third party, in such a way that they become essential components of that third party's property, then all claims and ancillary rights arising from the seller from such sale or installation vis-à-vis this buyer or third parties shall be assigned to us.

A special declaration of assignment shall not be required. Rights arising from the retention of title shall remain in effect until the complete release from all contingent liabilities which the seller/deliverer has undertaken in the interest of the purchaser/buyer.

7. Variations

Changes with respect to the preceding conditions shall be effective only if agreed to in writing. Verbal or agreements shall be valid only if they are confirmed in writing. Conflicting conditions of the purchaser cannot be recognized. Should individual provisions of these delivery and payment conditions be found contrary to binding law, the legal validity of the remaining provisions shall not be affected.

8. Jurisdiction and final note

The place of jurisdiction shall be Iserlohn or Hagen, including in matters involving bills of exchange or checks, if the purchaser is a registered merchant or if the remaining conditions of § 38, Code of Civil Procedure, apply. All disputes arising from this agreement shall exclusively be subject to the law of the Federal Republic of Germany, exactly as it is applicable to domestic business transactions between domestic parties. The invalidity of individual provisions of these delivery and payment conditions shall not affect the remaining provisions.



www.schlueter-systems.com



Subject to the Standard Terms and Conditions of Sale of Schlüter-Systems KG.

Errors, changes, and printing mistakes as well as changes necessary in the interest of product innovation or shipping reserved. For reasons of printing, colours shown in this price list may differ from actual product colours.



P R O F I L E O F I N N O V A T I O N

Schlüter-Systems KG · Schmölestraße 7 · D-58640 Iserlohn
Tel.: +49 2371 971-0 · Fax: +49 2371 971-111 · info@schlueter.de · www.schlueter-systems.com