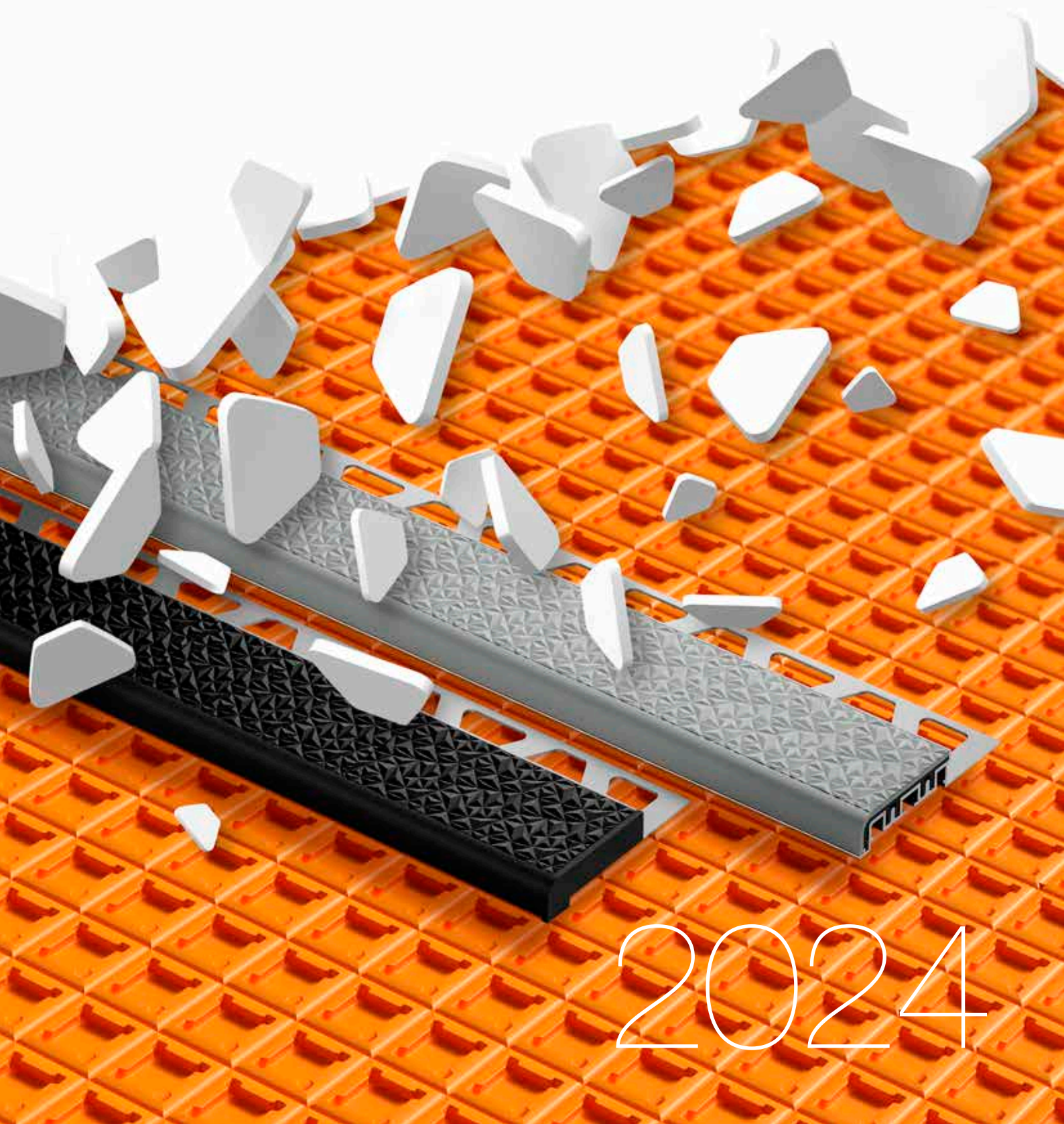


Schlüter® - PROFILES and -SYSTEMS

Illustrated price list PS 24

Export · Effective 1st January 2024



2024



The perfect trio for 2024...

Illustrated price list BEKOTEC-THERM



Illustrated price list LIPROTEC

...competent in all areas

Products eligible for custom coatings

Technology and design with Schlüter-PROFILES

Waterproofing / uncoupling / heating / drainage / shower systems / sound insulation / reattachment

Substrates for tiles

Balconies and terraces

Installation accessories

Appendix

MyDesign by Schlüter-Systems	16–31	
My Schlüter®-KERDI-LINE	32–35	
Edge profiles for floor coverings	36–51	
Wall corner and edge profiles, bathroom accessories	52–113	
Stair nosing profiles	114–125	
Movement and control joint profiles	126–157	
Profiles for vinyl wall and floor coverings	158–165	
Waterproofing, uncoupling, drainage, heating, sound insulation	166–185	
Removable fleece	186–187	
Waterproofing for walls and floors, drainage, shower shelves	188–271	
Panels, niche sets, profiles and accessories	272–289	
Balcony edge profiles, drainage channels, drainage and paver supports	290–335	
Accessories and tools	336–339	
Special orders from Schlüter	340–341	
Colour code system	342–344	
Key	346	



A	
Schlüter®-ARCLINE-APE	93
Schlüter®-ARCLINE-APW	92
Schlüter®-ARCLINE-BAK	94
Schlüter®-ARCLINE-DEL	93
B	
Schlüter®-BARA-ESOT	333
Schlüter®-BARA-FAP	330
Schlüter®-BARA-HV	329
Schlüter®-BARA-RAK	317
Schlüter®-BARA-RAKE	318
Schlüter®-BARA-RAKEG	319
Schlüter®-BARA-RAP	330
Schlüter®-BARA-RHA	327
Schlüter®-BARA-RK	326
Schlüter®-BARA-RKB	323
Schlüter®-BARA-RKK	320
Schlüter®-BARA-RKKE	322
Schlüter®-BARA-RKL	328
Schlüter®-BARA-RKLT	331
Schlüter®-BARA-RT	324
★ Schlüter®-BARA-RTC	325
Schlüter®-BARA-RTK	313
Schlüter®-BARA-RTKE	314
Schlüter®-BARA-RTKEG	315
Schlüter®-BARA-RTP	332
Schlüter®-BARA-RW	321
Schlüter®-BARA-RWL	327
Schlüter®-BARA-STU	333
Schlüter®-BARIN-R	335
Schlüter®-BARIN-SR	334
Schlüter®-BEKOTEC-DRAIN	298
C	
Schlüter®-CLEAN-CP	338
D	
Schlüter®-DECO	96
Schlüter®-DECO-DE	97
Schlüter®-DECO-SG	104, 238
Schlüter®-DESIGNBASE-CQ	108
Schlüter®-DESIGNBASE-SL-A	106
Schlüter®-DESIGNBASE-SL-E	105
Schlüter®-DESIGNLINE	102
Schlüter®-DILEX-AHK	151
Schlüter®-DILEX-AHK-TS	150
Schlüter®-DILEX-AHKA	152
Schlüter®-DILEX-AKWS	130
Schlüter®-DILEX-AS	139
Schlüter®-DILEX-BT	132
Schlüter®-DILEX-BT/MT	136
Schlüter®-DILEX-BT/OT	136
Schlüter®-DILEX-BT/VTS	136
Schlüter®-DILEX-BTO	133
Schlüter®-DILEX-BTS	133
Schlüter®-DILEX-BWA	139
Schlüter®-DILEX-BWB	131
Schlüter®-DILEX-BWS	131
Schlüter®-DILEX-DFP	157
Schlüter®-DILEX-EDP	128
Schlüter®-DILEX-EF	140
Schlüter®-DILEX-EHK	147
Schlüter®-DILEX-EK	142
Schlüter®-DILEX-EKE	140
Schlüter®-DILEX-EKSB	130
Schlüter®-DILEX-EMP	154
Schlüter®-DILEX-EP	156
Schlüter®-DILEX-EZ 6 + 9	132
Schlüter®-DILEX-EZ 70	156
Schlüter®-DILEX-HK	143
Schlüter®-DILEX-HKS	146
Schlüter®-DILEX-HKU	148
Schlüter®-DILEX-HKW	144
Schlüter®-DILEX-HVD	157
Schlüter®-DILEX-KS	129
Schlüter®-DILEX-KSA	138
Schlüter®-DILEX-KSBT	134
Schlüter®-DILEX-MOP	155
Schlüter®-DILEX-MP	155
Schlüter®-DILEX-RF	141
Schlüter®-DITRA	169, 297
Schlüter®-DITRA-DRAIN 4	171, 297
Schlüter®-DITRA-DRAIN 8	171, 298
Schlüter®-DITRA-HEAT	173
Schlüter®-DITRA-HEAT-DUO	173
Schlüter®-DITRA-HEAT-DUO-PS	179
★ Schlüter®-DITRA-HEAT-E-CHC	181
Schlüter®-DITRA-HEAT-E-CT	183
Schlüter®-DITRA-HEAT-E-DUO-S	176
Schlüter®-DITRA-HEAT-E-DUO-WS	177
Schlüter®-DITRA-HEAT-E-HK	180
Schlüter®-DITRA-HEAT-E-KARO	183
Schlüter®-DITRA-HEAT-E-R	182
Schlüter®-DITRA-HEAT-E-R3	182
Schlüter®-DITRA-HEAT-E-R4	183
Schlüter®-DITRA-HEAT-E-R6	182
Schlüter®-DITRA-HEAT-E-S	174
Schlüter®-DITRA-HEAT-E-WS	175
Schlüter®-DITRA-HEAT-E-ZS	183
Schlüter®-DITRA-HEAT-PS	179
Schlüter®-DITRA-SOUND	185
E	
Schlüter®-ECK-E	99
Schlüter®-ECK-K	100
Schlüter®-ECK-KHK	101, 145
Schlüter®-ECK-KI	98
F	
Schlüter®-FINEC-A	88
Schlüter®-FINEC-E	85
Schlüter®-FINEC-SQ	89
Schlüter®-FINEC-TS	86
I	
Schlüter®-INDEC	97
J	
Schlüter®-JOLLY	77
Schlüter®-JOLLY-A	80
Schlüter®-JOLLY-AC	82
Schlüter®-JOLLY-P	83
Schlüter®-JOLLY-TS	78
K	
Schlüter®-KERDI	190, 296
Schlüter®-KERDI-BOARD	275
Schlüter®-KERDI-BOARD-E	284
Schlüter®-KERDI-BOARD-N	278
Schlüter®-KERDI-BOARD-NLT	280
Schlüter®-KERDI-BOARD-NLT-BR	282
Schlüter®-KERDI-BOARD-U	284
Schlüter®-KERDI-BOARD-V	284
★ Schlüter®-KERDI-BOARD-W	277
Schlüter®-KERDI-BOARD-ZA	287
Schlüter®-KERDI-BOARD-ZB	287
Schlüter®-KERDI-BOARD-ZC	286
Schlüter®-KERDI-BOARD-ZDK	289
Schlüter®-KERDI-BOARD-ZFP	289
Schlüter®-KERDI-BOARD-ZS	288
Schlüter®-KERDI-BOARD-ZSA	289
Schlüter®-KERDI-BOARD-ZSD	288
Schlüter®-KERDI-BOARD-ZT	288
Schlüter®-KERDI-BOARD-ZW	286
★ Schlüter®-KERDI-CID	195
Schlüter®-KERDI-COLL-L	198, 285
Schlüter®-KERDI-CP	197
Schlüter®-KERDI-DRAIN	242, 256

Schlüter®-KERDI-DRAIN Sets.....	253, 257	Schlüter®-KERDI-SHOWER-TT.....	260	Schlüter®-SHELF-E-S2.....	264
Schlüter®-KERDI-DRAIN-BASE.....	254	Schlüter®-KERDI-TS.....	196	Schlüter®-SHELF-E-S3.....	266
Schlüter®-KERDI-DRAIN-BS.....	255	Schlüter®-KERDI-TS-ZC.....	197	Schlüter®-SHELF-N.....	268
Schlüter®-KERDI-DRAIN-KD 10.....	254	P		Schlüter®-SHELF-W.....	270
Schlüter®-KERDI-DRAIN-KD 10 SF.....	255	Schlüter®-PROCUT-PSF.....	339	Schlüter®-SHOWERPROFILE-R.....	233
Schlüter®-KERDI-DRAIN-R 10 GT.....	254	Schlüter®-PROCUT-TSM.....	339	Schlüter®-SHOWERPROFILE-S.....	234
Schlüter®-KERDI-DRAIN-R/-RL.....	256	Q		Schlüter®-SHOWERPROFILE-WS.....	236
Schlüter®-KERDI-DRAIN-SP-E.....	310	Schlüter®-QUADEC-A.....	60	Schlüter®-SHOWERPROFILE-WSK.....	237
Schlüter®-KERDI-DRAIN-ZBS.....	229, 255	Schlüter®-QUADEC-AC.....	63	T	
Schlüter®-KERDI-FIX.....	125, 198	Schlüter®-QUADEC-E.....	56	Schlüter®-TERRAZZO.....	51
Schlüter®-KERDI-FLEX.....	191	Schlüter®-QUADEC-FS.....	103	Schlüter®-TREP-E.....	119
Schlüter®-KERDI-KEBA.....	191, 285	Schlüter®-QUADEC-MC.....	55	Schlüter®-TREP-EFK.....	123
Schlüter®-KERDI-KERECK.....	192	Schlüter®-QUADEC-PQ.....	64	Schlüter®-TREP-EK.....	123
Schlüter®-KERDI-KERECK-F.....	192	Schlüter®-QUADEC-TS.....	58	Schlüter®-TREP-FL.....	121
Schlüter®-KERDI-KERS.....	192	R		Schlüter®-TREP-G/-GL.....	120
Schlüter®-KERDI-KM.....	194	Schlüter®-REFLEECE.....	187	Schlüter®-TREP-GK/-GLK.....	124
Schlüter®-KERDI-LINE-A Sets.....	216	Schlüter®-REMA.....	338	Schlüter®-TREP-S/-B.....	118
Schlüter®-KERDI-LINE-A/-B/-C.....	212	Schlüter®-RENO-RAMP.....	50	✦ Schlüter®-TREP-V.....	117
Schlüter®-KERDI-LINE-BS.....	229	Schlüter®-RENO-RAMP-K.....	50	Schlüter®-TROBA.....	301
Schlüter®-KERDI-LINE-D.....	215	Schlüter®-RENO-T.....	51	Schlüter®-TROBA-LEVEL-AP 1.....	305
Schlüter®-KERDI-LINE-D-G3.....	224	Schlüter®-RENO-TK.....	46	Schlüter®-TROBA-LEVEL-LV 3.....	306
Schlüter®-KERDI-LINE-F 40.....	217	Schlüter®-RENO-U.....	49	Schlüter®-TROBA-LEVEL-PL 10.....	304
✦ Schlüter®-KERDI-LINE-F 50.....	219	Schlüter®-RENO-V.....	47	Schlüter®-TROBA-LEVEL-PLA 30.....	305
Schlüter®-KERDI-LINE-F-G3.....	224	Schlüter®-RENO-VB.....	48	Schlüter®-TROBA-LEVEL-PLA 70.....	306
Schlüter®-KERDI-LINE-FC.....	215	Schlüter®-RENO-VT.....	48, 136	Schlüter®-TROBA-LEVEL-PLS 6.....	306
Schlüter®-KERDI-LINE-G3.....	222	Schlüter®-RONDEC-A.....	70	Schlüter®-TROBA-LEVEL-PLV 60.....	305
Schlüter®-KERDI-LINE-GTM.....	230, 255	Schlüter®-RONDEC-AC.....	72	Schlüter®-TROBA-LINE-TL.....	307
Schlüter®-KERDI-LINE-GTO.....	229	Schlüter®-RONDEC-DB.....	73	Schlüter®-TROBA-LINE-TL/H.....	310
Schlüter®-KERDI-LINE-H.....	220	Schlüter®-RONDEC-E.....	66	Schlüter®-TROBA-LINE-TLK-E.....	310
Schlüter®-KERDI-LINE-H 50 G2.....	221	Schlüter®-RONDEC-MC.....	65	Schlüter®-TROBA-LINE-TLR.....	308
Schlüter®-KERDI-LINE-SR.....	230	Schlüter®-RONDEC-PRG.....	75	Schlüter®-TROBA-LINE-TLR-E.....	309
Schlüter®-KERDI-LINE-STYLE.....	211	Schlüter®-RONDEC-PRO.....	74	Schlüter®-TROBA-PLUS.....	299
Schlüter®-KERDI-LINE-V.....	226	Schlüter®-RONDEC-STEP.....	110	Schlüter®-TROBA-PLUS-G.....	300
Schlüter®-KERDI-LINE-V 50 G2.....	225	Schlüter®-RONDEC-STEP-CT.....	111	Schlüter®-TROBA-STELZ-DR.....	302
Schlüter®-KERDI-LINE-VARIO COVE.....	206	Schlüter®-RONDEC-TS.....	68	Schlüter®-TROBA-STELZ-MR.....	302
Schlüter®-KERDI-LINE-VARIO WAVE.....	204	Schlüter®-RUMA.....	338	Schlüter®-TROBA-ZFK.....	301
Schlüter®-KERDI-LINE-VARIO-DSE.....	207	S		Schlüter®-TROWEL.....	339
Schlüter®-KERDI-LINE-VARIO-H 40.....	208	Schlüter®-SCHIENE.....	39	V	
Schlüter®-KERDI-LINE-VARIO-H 50.....	209	Schlüter®-SCHIENE-A.....	42	Schlüter®-VINPRO-RO.....	163
Schlüter®-KERDI-LINE-VARIO-S.....	207	Schlüter®-SCHIENE-AC.....	43	Schlüter®-VINPRO-S.....	162
Schlüter®-KERDI-MV.....	193	Schlüter®-SCHIENE-BASIC.....	45	Schlüter®-VINPRO-STEP.....	164
Schlüter®-KERDI-PAS.....	193	Schlüter®-SCHIENE-ES.....	44	Schlüter®-VINPRO-STEP-R.....	165
Schlüter®-KERDI-SHOWER-LT.....	231	Schlüter®-SCHIENE-STEP.....	113	Schlüter®-VINPRO-T.....	160
Schlüter®-KERDI-SHOWER-LTS.....	232	Schlüter®-SCHIENE-STEP-EB.....	112	Schlüter®-VINPRO-U.....	161
Schlüter®-KERDI-SHOWER-SK/-SKB.....	258	Schlüter®-SCHIENE-TS.....	40	W	
Schlüter®-KERDI-SHOWER-T.....	259	Schlüter®-SCHIENE-V.....	45	Schlüter®-WINKEL.....	48
Schlüter®-KERDI-SHOWER-TS.....	259	Schlüter®-SHELF-E-S1.....	262		



EDGE PROFILES FOR FLOOR COVERINGS



Schlüter®-SCHIENE
Page 39–43



Schlüter®-SCHIENE-ES
Page 44



Schlüter®-SCHIENE-BASIC
Page 45



Schlüter®-SCHIENE-V
Page 45



Schlüter®-RENO-TK
Page 46



Schlüter®-RENO-V
Page 47



Schlüter®-RENO-U
Page 49



Schlüter®-RENO-RAMP
Page 50



Schlüter®-RENO-RAMP-K
Page 50



Schlüter®-RENO-T
Page 51



Schlüter®-TERRAZZO
Page 51

WALL CORNER AND EDGE PROFILES, BATHROOM ACCESSORIES



Schlüter®-QUADEC
Page 55–64



Schlüter®-RONDEC
Page 65–75



Schlüter®-JOLLY
Page 77–83



Schlüter®-FINEC
Page 85–90



Schlüter®-ARCLINE
Page 92–95



Schlüter®-DECO
Page 96–97



Schlüter®-INDEC
Page 97



Schlüter®-ECK
Page 98–100



Schlüter®-ECK-KHK
Page 101, 145



Schlüter®-DESIGNLINE
Page 102



Schlüter®-QUADEC-FS
Page 103



Schlüter®-DECO-SG
Page 104, 238



Schlüter®-DESIGNBASE
Page 105–108



Schlüter®-RONDEC-STEP
Page 110–111



Schlüter®-SCHIENE-STEP
Page 112–113

STAIR NOSING PROFILES



Schlüter®-TREP-V
Page 117



✦ Schlüter®-TREP-S/-B
Page 118



Schlüter®-TREP-TAP
Page 118



Schlüter®-TREP-E
Page 119



Schlüter®-TREP-G/-GL
Page 120



Schlüter®-TREP-FL
Page 121



Schlüter®-TREP-EK
Page 123



Schlüter®-TREP-EFK
Page 123



Schlüter®-TREP-GK/-GLK
Page 124

MOVEMENT AND CONTROL JOINT PROFILES



Schlüter®-DILEX-EDP
Page 128



Schlüter®-DILEX-KS
Page 129



Schlüter®-DILEX-EKSB
Page 130



Schlüter®-DILEX-AKWS
Page 130



Schlüter®-DILEX-BWB
Page 131



Schlüter®-DILEX-BWS
Page 131



Schlüter®-DILEX-EZ 6 + 9
Page 132



Schlüter®-DILEX-BT
Page 132



Schlüter®-DILEX-BTO
Page 133



Schlüter®-DILEX-BTS
Page 133



Schlüter®-DILEX-KSBT
Page 134-135



Schlüter®-DILEX-KSA
Page 138



Schlüter®-DILEX-BWA
Page 139



Schlüter®-DILEX-AS
Page 139



Schlüter®-DILEX-EF
Page 140



Schlüter®-DILEX-EKE
Page 140



MOVEMENT AND CONTROL JOINT PROFILES (CONT.)



Schlüter®-DILEX-RF
Page 141



Schlüter®-DILEX-EK
Page 142



Schlüter®-DILEX-HK
Page 143



Schlüter®-DILEX-HKW
Page 144



Schlüter®-DILEX-HKS
Page 146



Schlüter®-DILEX-EHK
Page 147



Schlüter®-DILEX-HKU
Page 148–149



Schlüter®-DILEX-AHK-TS
Page 150



Schlüter®-DILEX-AHK
Page 151–152



Schlüter®-DILEX-AHKA
Page 152–153



Schlüter®-DILEX-EMP
Page 154



Schlüter®-DILEX-MP
Page 155



Schlüter®-DILEX-MOP
Page 155



Schlüter®-DILEX-EZ 70
Page 156



Schlüter®-DILEX-EP
Page 156



Schlüter®-DILEX-DFP
Page 157

PROFILES FOR VINYL WALL AND FLOOR COVERINGS



Schlüter®-VINPRO-T
Page 160



Schlüter®-VINPRO-U
Page 161



Schlüter®-VINPRO-S
Page 162



Schlüter®-VINPRO-RO
Page 163



Schlüter®-VINPRO-STEP
Page 164



Schlüter®-VINPRO-STEP-R
Page 165

WATERPROOFING, UNCOUPLING, DRAINAGE, HEATING, SOUND INSULATION



Schlüter®-DITRA
Page 169, 297



Schlüter®-DITRA-DRAIN
Page 171, 297–298



Schlüter®-DITRA-HEAT
Page 173



Schlüter®-DITRA-HEAT-E
Page 174–177



Schlüter®-DITRA-HEAT-PS
Page 179



Schlüter®-DITRA-HEAT-E accessories
Page 180–183



Schlüter®-DITRA-SOUND
Page 185

REMOVABLE FLEECE

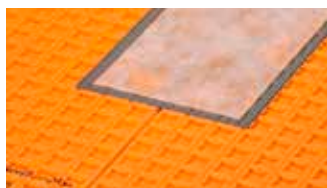


Schlüter®-REFLEECE
Page 187

WATERPROOFING FOR WALLS AND FLOORS, DRAINAGE, SHOWER SHELVES



Schlüter®-KERDI
Page 190, 296



Schlüter®-KERDI-KEBA/-FLEX
Page 191, 285



Schlüter®-KERDI-KERECK
Page 192



Schlüter®-KERDI-KERS
Page 192



Schlüter®-KERDI-MV/-PAS
Page 193



Schlüter®-KERDI-KM
Page 194



Schlüter®-KERDI-CID
Page 195



Schlüter®-KERDI-TS
Page 196



Schlüter®-KERDI-CP
Page 197



Schlüter®-KERDI-COLL-L
Page 198, 285



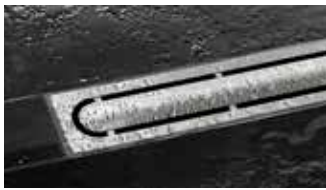
Schlüter®-KERDI-FIX
Page 125, 198



Schlüter®-KERDI-LINE-VARIO
Page 204–209



WATERPROOFING FOR WALLS AND FLOORS, DRAINAGE, SHOWER SHELVES (CONT.)



Schlüter®-KERDI-LINE-STYLE
Page 211



Schlüter®-KERDI-LINE-A/-B/-C
Page 212–214



Schlüter®-KERDI-LINE-FC
Page 215



Schlüter®-KERDI-LINE-D
Page 215



Schlüter®-KERDI-LINE-A sets
Page 216



Schlüter®-KERDI-LINE ✪
Page 217–227



Schlüter®-KERDI-LINE accessories
Page 229–230



Schlüter®-KERDI-LINE-SR
Page 230



Schlüter®-KERDI-SHOWER-LT/-LTS
Page 231–232



Schlüter®-SHOWERPROFILE-R
Page 233



Schlüter®-SHOWERPROFILE-S
Page 234–235



Schlüter®-SHOWERPROFILE-WS/-WSK
Page 236–237



Schlüter®-DECO-SG/-SGC
Page 104, 238



Schlüter®-KERDI-DRAIN
Page 242–252



Schlüter®-KERDI-DRAIN sets (exterior)
Page 253



Schlüter®-KERDI-DRAIN accessories
Page 254–256



Schlüter®-KERDI-DRAIN sets (interior)
Page 257



Schlüter®-KERDI-SHOWER-SK/-SKB
Page 258



Schlüter®-KERDI-SHOWER-T/-TS/-TT
Page 259–260



Schlüter®-SHELF-E-S1
Page 262–263



Schlüter®-SHELF-E-S2
Page 264–265



Schlüter®-SHELF-E-S3
Page 266–267



Schlüter®-SHELF-N
Page 268–269



Schlüter®-SHELF-W
Page 270–271

TILE BACKERBOARD



Schlüter®-KERDI-BOARD
Page 275



Schlüter®-KERDI-BOARD-W 
Page 277



Schlüter®-KERDI-BOARD-N
Page 278–279



Schlüter®-KERDI-BOARD-NLT/-NLT-BR
Page 280–283



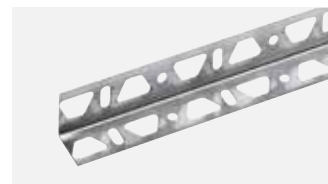
Schlüter®-KERDI-BOARD-V
Page 284



Schlüter®-KERDI-BOARD-E
Page 284



Schlüter®-KERDI-BOARD-U
Page 284



Schlüter®-KERDI-BOARD-ZW
Page 286



Schlüter®-KERDI-BOARD-ZC
Page 286



Schlüter®-KERDI-BOARD-ZA
Page 287



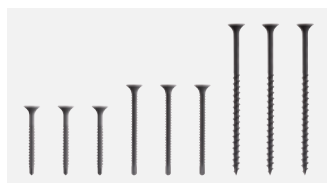
Schlüter®-KERDI-BOARD-ZB
Page 287



Schlüter®-KERDI-BOARD-ZSD
Page 288



Schlüter®-KERDI-BOARD-ZT
Page 288



Schlüter®-KERDI-BOARD-ZS
Page 288



Schlüter®-KERDI-BOARD-ZDK
Page 289



Schlüter®-KERDI-BOARD-ZSA
Page 289



Schlüter®-KERDI-BOARD-ZFP
Page 289

BALCONY AND TERRACE ASSEMBLY SYSTEMS



Schlüter®-BEKOTEC-DRAIN
Page 298



Schlüter®-TROBA-PLUS
Page 299



Schlüter®-TROBA-PLUS-G
Page 300



Schlüter®-TROBA
Page 301



Schlüter®-TROBA-ZFK
Page 301



Schlüter®-TROBA-STELZ
Page 302



Schlüter®-TROBA-LEVEL
Page 304–306



Schlüter®-TROBA-LINE-TL
Page 307–308



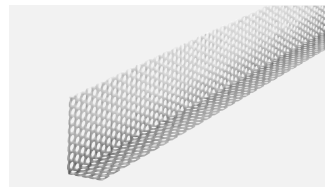
BALCONY AND TERRACE ASSEMBLY SYSTEMS (CONT.)



Schlüter®-TROBA-LINE-TLR
Page 308



Schlüter®-TROBA-LINE-TLR-E
Page 309



Schlüter®-TROBA-LINE-TLK-E
Page 310



Schlüter®-TROBA-LINE-TL/H
Page 310



Schlüter®-KERDI-DRAIN-SP-E
Page 310



Schlüter®-BARA-RTK
Page 313



Schlüter®-BARA-RTKE
Page 314



Schlüter®-BARA-RTKEG
Page 315



Schlüter®-BARA-RAK
Page 317



Schlüter®-BARA-RAKE
Page 318



Schlüter®-BARA-RAKEG
Page 319



Schlüter®-BARA-RKK
Page 320



Schlüter®-BARA-RW
Page 321



Schlüter®-BARA-RKKE
Page 322



Schlüter®-BARA-RKB
Page 323



Schlüter®-BARA-RT/RTC ★
Page 324–325



Schlüter®-BARA-RK
Page 326



Schlüter®-BARA-RWL
Page 327



Schlüter®-BARA-RHA
Page 327



Schlüter®-BARA-RKL
Page 328–329



Schlüter®-BARA-HV
Page 329



Schlüter®-BARA-RAP
Page 330



Schlüter®-BARA-FAP
Page 330



Schlüter®-BARA-RKLT
Page 331



Schlüter®-BARA-RTP
Page 332



Schlüter®-BARA-ESOT
Page 333



Schlüter®-BARA-STU
Page 333



Schlüter®-BARIN
Page 334–335

INSTALLATION ACCESSORIES



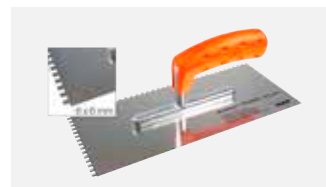
Schlüter®-REMA
Page 338



Schlüter®-CLEAN-CP
Page 338



Schlüter®-RUMA
Page 338



Schlüter®-TROWEL
Page 339



Schlüter®-PROCUT-PSF
Page 339



Schlüter®-PROCUT-TSM
Page 339



Schlüter®-Systems

As individual as our customers

Individual requirements call for custom solutions. Schlüter-Systems has long offered its customers numerous options to give projects a personal touch. From drainage channels with personal engravings to profiles and shelves with custom coatings and special product prints, many of our products can be precisely adapted to the needs of designers and home owners – not just in large quantities, but also in small quantities. Do you have a project with special requirements? Your Schlüter sales representative will be pleased to show you which options are available.



RAL colours

MyDesign by Schlüter-Systems

16–24

Print

MyDesign by Schlüter-Systems

26–31

Engraving

My Schlüter®-KERDI-LINE

32–35





MyDesign by Schlüter-Systems

Profiles and SHELF in your exclusive colour selection

Schlüter-Systems offers its customers a wide range of colour coatings for aluminium profiles, including accessories and shower shelves. These choices were recently expanded by the addition of the Schlüter-TRENDLINE range, which comprises especially nuanced colour variants. In most cases, this enables unobtrusive edge protection solutions in colours matching the tile covering.

However, designers or developers sometimes have special colour requests that fall outside of the available Schlüter standard colour range. For instance, the corporate design guidelines of a company may specify certain colours or developers may have unusual colour schemes in mind.

Those custom colour preferences can now be implemented with MyDesign by Schlüter-Systems! Effective immediately, a wide range of products is available in individual colour choices, in addition to our extensive colour palette of TRENDLINE and powder coating options. Customers can now choose from an impressive 190 colours of the RAL classic colour chart.

The following pages explain which profiles are available with custom coatings and how you can order them. The product advisors of our sales service and our Customer Service Department will be pleased to assist you with any questions you may have about MyDesign by Schlüter-Systems. You can also find the respective contact information on our website. We look forward to helping you with your Schlüter-MyDesign projects.







MyDesign by Schlüter-Systems

Easy custom orders

The following pages explain which products can be ordered in RAL colours for MyDesign by Schlüter-Systems. Please note that custom coatings are subject to a one-time MyDesign surcharge for each colour. You can then have any number of profiles, accessories and SHELF products from the MyDesign programme coated in this colour. The MyDesign surcharge is € 358.75 per colour.

Simply follow the four steps in the "Price" section to determine the cost of your custom coated MyDesign products.

Order

Find the right article number in three steps:

- 1. Select the product from the MyDesign programme e.g. QUADREC-AC (C / Q ...* A)
- 2. Select height | add to art. no. e.g. 4.5 mm | C / Q 45 A
- 3. Select RAL Classic colour and specify it in your order e.g. RAL 6001

Your sales advisor will be pleased to assist you with your order.

For further details, please visit our website at schluefer-systems.com/mydesign.aspx

Price

Calculate your price in four steps:

- 1. Select the price of the desired product (profile, accessory or shelf)**
- 2. Add the MyDesign surcharge A | B € 3.24 | € 6.47 per unit or metre
- 3. MyDesign surcharge (one-time set-up cost per colour) € 358.75*
- 4. If applicable, you can find the surcharge for radius perforation/custom corners on page 340/341.

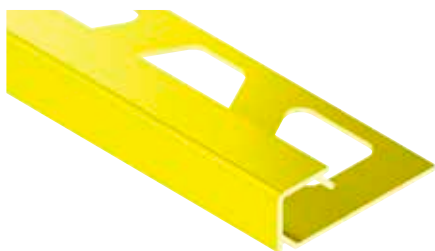
* not eligible for discounts

** use pricing for products with AC finish as a reference

Calculation help

1. PRODUCT	2. SURCHARGE	3. SET-UP COST	PRICE
<input type="text"/>	<input type="text"/>	<input type="text"/>	<input type="text"/>
<input type="text"/>	<input type="text"/>	<input type="text"/>	<input type="text"/>
<input type="text"/>	<input type="text"/>	<input type="text"/>	<input type="text"/>
<input type="text"/>	<input type="text"/>	<input type="text"/>	<input type="text"/>
<input type="text"/>	<input type="text"/>	<input type="text"/>	<input type="text"/>
<input type="text"/>	<input type="text"/>	<input type="text"/>	<input type="text"/>

Finishing profile | corner



Schlüter®-QUADEC-AC



colour coated aluminium
 profile length: 2.50 m/3.00 m, height: 4.5 mm, 6 mm, 8 mm, 10 mm, 11 mm, 12.5 mm
 90° external/internal corner in heights of 4.5 mm, 6 mm, 8 mm, 10 mm, 11 mm, 12.5 mm

Version	Art. No.	MyDesign surcharge
profile 2.50 m (4.5–12.5 mm)	C / Q ...* A	A
profile 3.00 m (6–12.5 mm)	C / Q ...* A/300	A
profile 2.50 m, radius perforation (4.5–12.5 mm)	C / R / Q ...* A	A
profile 3.00 m, radius perforation (6–12.5 mm)	C / R / Q ...* A/300	A
90° external/internal corner (4.5–12.5 mm)	C / EV / Q ...* A	A

* To complete the art. no., add the height (e.g. C / Q 45 A)

You can find the full Schlüter-QUADEC-AC product line on page 63.

Finishing profile | corner



Schlüter®-RONDEC-AC



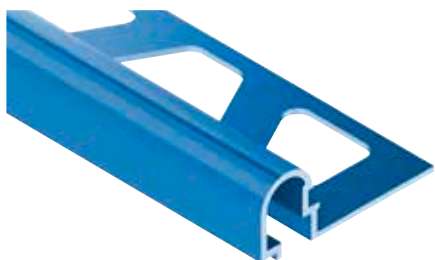
colour coated aluminium
 profile length: 2.50 m/3.00 m, height: 6 mm, 8 mm, 10 mm, 11 mm, 12.5 mm
 90° external corner, 90° internal corner in heights of 6 mm, 8 mm, 10 mm, 11 mm, 12.5 mm

Version	Art. No.	MyDesign surcharge
profile 2.50 m (6–12.5 mm)	C / RO ...* A	A
profile 3.00 m (6–12.5 mm)	C / RO ...* A/300	A
profile 2.50 m, radius perforation (6–12.5 mm)	C / R / RO ...* A	A
profile 3.00 m, radius perforation (6–12.5 mm)	C / R / RO ...* A/300	A
90° external corner (6–12.5 mm)	C / EV / RO ...* A	A
90° internal corner (6–12.5 mm)	C / IV / RO ...* A	A

* To complete the art. no., add the height (e.g. C / RO 60 A)

You can find the full Schlüter-RONDEC-AC product line on page 72 (profiles) and page 71 (corners).

Finishing profile



Schlüter®-RONDEC-DB-AC

colour coated aluminium
 profile length: 2.50 m

Version	Art. No.	MyDesign surcharge
profile 2.50 m	C / DB 14 A	A

You can find the full Schlüter-RONDEC-DB product line on page 73.

Finishing profile | corner



Schlüter®-JOLLY-AC



colour coated aluminium
 profile length: 2.50 m, height: 6 mm, 8 mm, 10 mm, 11 mm, 12.5 mm, 14 mm, 16 mm, 21 mm
 profile length: 3.00 m, height: 6 mm, 8 mm, 10 mm, 11 mm, 12.5 mm
 90° external corner in heights of 6 mm, 8 mm, 10 mm, 11 mm, 12.5 mm, 14 mm, 16 mm, 21 mm

Version	Art. No.	MyDesign surcharge
profile 2.50 m (6–21 mm)	C / J ...* A	A
profile 3.00 m (6–12.5 mm)	C / J ...* A/300	A
profile 2.50 m, radius perforation (6–21 mm)	C / R / J ...* A	A
profile 3.00 m, radius perforation (6–12.5 mm)	C / R / J ...* A/300	A
90° external corner (6–21 mm)	C / EV / J ...* A	A

* To complete the art. no., add the height (e.g. C / J 60 A)

You can find the full Schlüter-JOLLY-AC product line on page 82.



Finishing profile | corner set



Schlüter®-FINEC-AC

colour coated aluminium
 profile length: 2.50 m, height: 2.5 mm, 4.5 mm, 7 mm, 9 mm, 11 mm, 12.5 mm
 corner set, height: 2.5 mm, 4.5 mm, 7 mm, 9 mm, 11 mm, 12.5 mm

Version	Art. No.	MyDesign surcharge
profile 2.50 m (2.5–12.5 mm)	C / F ...* A	A
corner set (2.5–12.5 mm)	C / ES / F ...* A	A

* To complete the art. no., add the height (e.g. C / F 25 A)
 You can find the full Schlüter-FINEC-A product line on page 88.

Finishing profile | corner



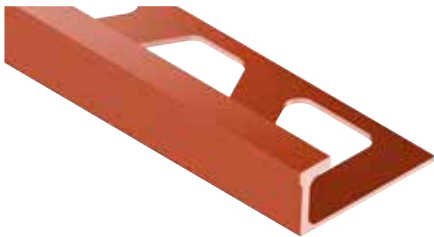
Schlüter®-FINEC-SQ-AC

colour coated aluminium
 profile length: 2.50 m, height: 11 mm, 12.5 mm, 15 mm
 90° external/internal corner in heights of 4.5 mm

Version	Art. No.	MyDesign surcharge
profile 2.50 m (11–15 mm)	C / FSQ ...* A	A
90° external/internal corner (4.5 mm)	C / EV / Q 45 A	A

* To complete the art. no., add the height (e.g. C / F SQ 110 A)
 You can find the full Schlüter-FINEC-SQ product line on pages 89–90.

Finishing profile



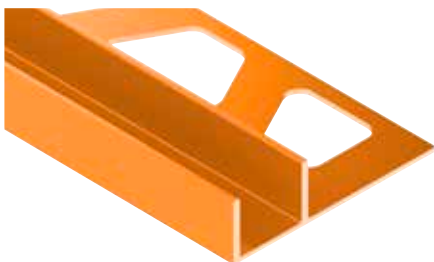
Schlüter®-DECO-AC

colour coated aluminium
 profile length: 2.50 m, height: 8 mm, 10 mm, 12.5 mm

Version	Art. No.	MyDesign surcharge
profile 2.50 m (8–12.5 mm)	C / A ...* D	A
profile 2.50 m, radius perforation (8–12.5 mm)	C / R / A ...* D	A

* To complete the art. no., add the height (e.g. C / A 80 D)
 You can find the full Schlüter-DECO product line on page 96.

Attachment profile



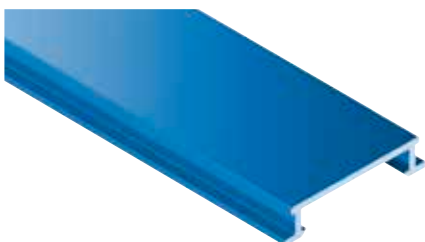
Schlüter®-DECO-SG-AC

colour coated aluminium, B = 12 mm / 15 mm
 profile length: 2.50 m, height: 8 mm, 10 mm, 11 mm, 12.5 mm

Version	Art. No.	MyDesign surcharge
profile 2.50 m (8-12.5 mm), width 12 mm	C / SG ...* A 12	A
profile 2.50 m (8-12.5 mm), width 15 mm	C / SG ...* A 15	A

* To complete the art. no., add the height (e.g. C / SG 80 A 12)
 You can find the full Schlüter-DECO-SG product line on page 104.

Border profile



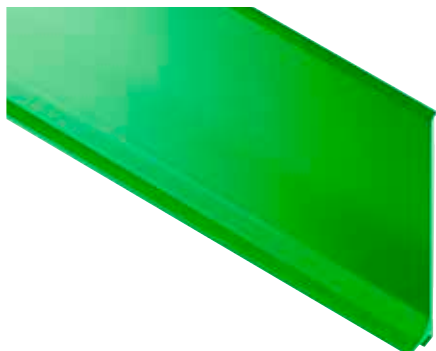
Schlüter®-DESIGNLINE-AC

colour coated aluminium
 profile length: 2.50 m

Version	Art. No.	MyDesign surcharge
profile 2.50 m	C / DL 625 A	A

You can find the full Schlüter-DESIGNLINE product line on page 102.

Skirting profile | corner | end cap | connector

**Schlüter®-DESIGNBASE-SL-AC**

colour coated aluminium
 profile length: 2.50 m, height: 60 mm, 80 mm
 90° external corner, 90° internal corner, left end cap, right end cap, connector in heights of 60 mm, 80 mm

Version	Art. No.	MyDesign surcharge
profile 2.50 m (60–80 mm)	C / DB SL ...* A	A
90° external corner (60–80 mm)	C / ED / DB SL ...* A	A
90° internal corner (60–80 mm)	C / ID / DB SL ...* A	A
end cap, left (60–80 mm)	C / EL / DB SL ...* A	A
end cap, right (60–80 mm)	C / ER / DB SL ...* A	A
connector (60–80 mm)	C / V / DB SL ...* A	A

* To complete the art. no., add the height (e.g. C / DB SL 60 A)

You can find the full Schlüter-DESIGNBASE-SL-A product line on pages 106–107.

Shelf

**Schlüter®-SHELF-E-S1-AC**

colour coated aluminium
 shelf in design options FLORAL, CURVE, PURE, SQUARE, WAVE

Version	Art. No.	MyDesign surcharge
FLORAL design	C / SE S1 D5 A	B
CURVE design	C / SE S1 D6 A	B
PURE design	C / SE S1 D7 A	B
SQUARE design	C / SE S1 D3 A	B
WAVE design	C / SE S1 D10 A	B

You can find the full Schlüter-SHELF-E-S1 product line on pages 262–263.

Shelf

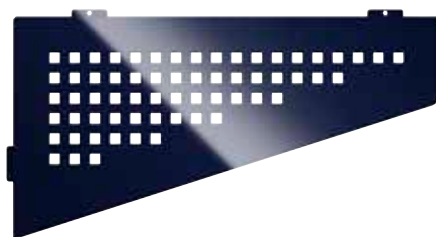
**Schlüter®-SHELF-E-S2-AC**

colour coated aluminium
 shelf in design options FLORAL, CURVE, PURE, SQUARE, WAVE

Version	Art. No.	MyDesign surcharge
FLORAL design	C / SE S2 D5 A	B
CURVE design	C / SE S2 D6 A	B
PURE design	C / SE S2 D7 A	B
SQUARE design	C / SE S2 D3 A	B
WAVE design	C / SE S2 D10 A	B

You can find the full Schlüter-SHELF-E-S2 product line on pages 264–265.

Shelf

**Schlüter®-SHELF-E-S3-AC**

colour coated aluminium
 shelf in design options FLORAL, CURVE, PURE, SQUARE, WAVE

Version	Art. No.	MyDesign surcharge
FLORAL design	C / SE S3 D5 A	B
CURVE design	C / SE S3 D6 A	B
PURE design	C / SE S3 D7 A	B
SQUARE design	C / SE S3 D3 A	B
WAVE design	C / SE S3 D10 A	B

You can find the full Schlüter-SHELF-E-S3 product line on pages 266–267.



Shelf

Schlüter®-SHELF-N-S1-AC

colour coated aluminium
shelf in design options FLORAL, CURVE, PURE, SQUARE, WAVE



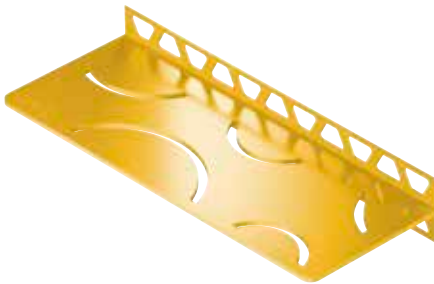
Version	Art. No.	MyDesign surcharge
FLORAL design	C / SN S1 D5 A	B
CURVE design	C / SN S1 D6 A	B
PURE design	C / SN S1 D7 A	B
SQUARE design	C / SN S1 D3 A	B
WAVE design	C / SN S1 D10 A	B

You can find the full Schlüter-SHELF-N product line on pages 268–269.

Shelf

Schlüter®-SHELF-W-S1-AC

colour coated aluminium
shelf in design options FLORAL, CURVE, PURE, SQUARE, WAVE



Version	Art. No.	MyDesign surcharge
FLORAL design	C / SW S1 D5 A	B
CURVE design	C / SW S1 D6 A	B
PURE design	C / SW S1 D7 A	B
SQUARE design	C / SW S1 D3 A	B
WAVE design	C / SW S1 D10 A	B

You can find the full Schlüter-SHELF-W product line on pages 270–271.

Edge profile | corner | connector



Schlüter®-BARA-RAK

colour coated aluminium
profile length: 2.50 m
90° external corner, 135° external corner, 90° internal corner, connectors

Version	Art. No.	MyDesign surcharge
profile 2.50 m	C / RAK 50 A	B
90° external corner	C / E90 / RAK 50 A	B
135° external corner	C / E135 / RAK 50 A	B
external custom corner	C / ESO / RAK 50 A	B
90° internal corner	C / I90 / RAK 50 A	B
internal custom corner	C / ISO / RAK 50 A	B
connector	C / V / RT 30 A	A

You can find the full Schlüter-BARA-RAK product line on page 317.

Edge profile | corner | connector



Schlüter®-BARA-RAKE

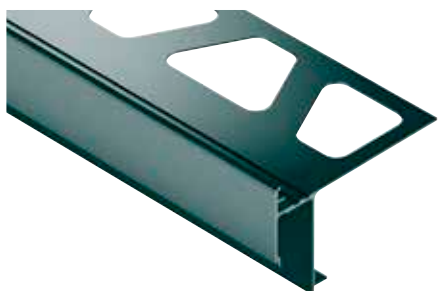
colour coated aluminium
profile length: 2.50 m, height: 10 mm, 15 mm, 18 mm, 21 mm
90° external corner, 135° external corner, 90° internal corner, connectors in heights of 10 mm, 15 mm, 18 mm, 21 mm

Version	Art. No.	MyDesign surcharge
profile 2.50 m (10–21 mm)	C / RAKE ...* A	B
90° external corner (10–21 mm)	C / E90 / RAKE ...* A	B
135° external corner (10–21 mm)	C / E135 / RAKE ...* A	B
external custom corner (10–21 mm)	C / ESO / RAKE ...* A	B
90° internal corner (10–21 mm)	C / I90 / RAKE ...* A	B
internal custom corner (10–21 mm)	C / ISO / RAKE ...* A	B
connector (10–21 mm)	C / V / RTKE ...* A	A

* To complete the art. no., add the height (e.g. C / RAKE 10 A)

You can find the full Schlüter-BARA-RAKE product line on page 318.

Edge profile | corner | connector

**Schlüter®-BARA-RAKEG**

colour coated aluminium
 profile length: 2.50 m, height: 4 mm, 10 mm, 15 mm, 18 mm, 21 mm
 90° external corner, 135° external corner, 90° internal corner,
 connectors in heights of 4 mm, 10 mm, 15 mm, 18 mm, 21 mm

Version	Art. No.	MyDesign surcharge
profile 2.50 m (4–21 mm)	C / RAKEG ...* A	B
90° external corner (4–21 mm)	C / E90 / RAKEG ...* A	B
135° external corner (4–21 mm)	C / E135 / RAKEG ...* A	B
external custom corner (4–21 mm)	C / ESO / RAKEG ...* A	B
90° internal corner (4–21 mm)	C / I90 / RAKEG ...* A	B
internal custom corner (4–21 mm)	C / ISO / RAKEG ...* A	B
connector (4–21 mm)	C / V / RTKE ...* A	A

* To complete the art. no., add the height (e.g. C / RAKEG 4 A)

You can find the full Schlüter-BARA-RAKEG product line on page 319.

Edge profile | corner | connector

**Schlüter®-BARA-RKK**

colour coated aluminium
 profile length: 2.50 m, height: 10 mm, 15 mm, 18 mm
 90° external corner, 135° external corner, 90° internal corner, connectors in heights of 10 mm, 15 mm, 18 mm

Version	Art. No.	MyDesign surcharge
profile 2.50 m (10–18 mm)	C / RKK ...* A	B
90° external corner (10–18 mm)	C / E90 / RKK ...* A	B
135° external corner (10–18 mm)	C / E135 / RKK ...* A	B
external custom corner (10–18 mm)	C / ESO / RKK ...* A	B
90° internal corner (10–18 mm)	C / I90 / RKK ...* A	B
internal custom corner (10–18 mm)	C / ISO / RKK ...* A	B
connector (10–18 mm)	C / V / RKK ...* A	A

* To complete the art. no., add the height (e.g. C / RKK 10 A)

You can find the full Schlüter-BARA-RKK product line on page 320.

Edge profile | corner | connector

**Schlüter®-BARA-RKKE**

colour coated aluminium
 profile length: 2.50 m, height: 8 mm, 10 mm, 15 mm, 18 mm, 21 mm, 23 mm
 90° external corner, 135° external corner, 90° internal corner,
 connectors in heights of 8 mm, 10 mm, 15 mm, 18 mm, 21 mm, 23 mm

Version	Art. No.	MyDesign surcharge
profile 2.50 m (8–23 mm)	C / RKKE ...* A	B
90° external corner (8–23 mm)	C / E90 / RKKE ...* A	B
135° external corner (8–23 mm)	C / E135 / RKKE ...* A	B
external custom corner (8–23 mm)	C / ESO / RKKE ...* A	B
90° internal corner (8–23 mm)	C / I90 / RKKE ...* A	B
internal custom corner (8–23 mm)	C / ISO / RKKE ...* A	B
connector (8–23 mm)	C / V / RKK ...* A	A

* To complete the art. no., add the height (e.g. C / RKKE 8 A)

You can find the full Schlüter-BARA-RKKE product line on page 322.



Edge profile | corner | connector



Schlüter®-BARA-RKB

colour coated aluminium
profile length: 2.50 m
90° external corner, 135° external corner, 90° internal corner, connectors

Version	Art. No.	MyDesign surcharge
profile 2.50 m	C / RKB 3 A	B
90° external corner	C / E90 / RKB 3 A	B
135° external corner	C / E135 / RKB 3 A	B
external custom corner	C / ESO / RKB 3 A	B
90° internal corner	C / I90 / RKB 3 A	B
internal custom corner	C / ISO / RKB 3 A	B
connector	C / V / RKB 3 A	A

You can find the full Schlüter-BARA-RKB product line on page 323.

Edge profile | corner | connector



Schlüter®-BARA-RK

colour coated aluminium
profile length: 2.50 m
90° external corner, 135° external corner, 90° internal corner, connectors

Version	Art. No.	MyDesign surcharge
profile 2.50 m	C / RK 65 A	B
90° external corner	C / E90 / RK 65 A	B
135° external corner	C / E135 / RK 65 A	B
external custom corner	C / ESO / RK 65 A	B
90° internal corner	C / I90 / RK 65 A	B
internal custom corner	C / ISO / RK 65 A	B
connector	C / V / RK 65 A	A

You can find the full Schlüter-BARA-RK product line on page 326.

Edge profile | corner | connector



Schlüter®-BARA-RKL

colour coated aluminium
profile length: 2.50 m, height: 30 mm, 35 mm, 40 mm, 50 mm, 75 mm
90° external corner, 135° external corner, 90° internal corner,
connectors in heights of 30 mm, 35 mm, 40 mm, 50 mm, 75 mm

Version	Art. No.	MyDesign surcharge
profile 2.50 m (30–75 mm)	C / RKL ...* A	B
90° external corner (30–75 mm)	C / E90 / RKL ...* A	B
135° external corner (30–75 mm)	C / E135 / RKL ...* A	B
external custom corner (30–75 mm)	C / ESO / RKL ...* A	B
90° internal corner (30–75 mm)	C / I90 / RKL ...* A	B
internal custom corner (30–75 mm)	C / ISO / RKL ...* A	B
connector (30–75 mm)	C / V / RKL ...* A	A

* To complete the art. no., add the height (e.g. C / RKL 30 A)

You can find the full Schlüter-BARA-RKL product line on pages 328–329.





MyDesign by Schlüter-Systems

Print profiles with your favourite design

State-of-the-art printing technology is the key to modern tile production and enables the creation of remarkably realistic wood and marble surfaces. This offers designers an opportunity to give their creativity free reign.

With the introduction of the textured TRENDLINE range, Schlüter-Systems took a large step toward blending profiles and tiles. Now we are going even further: Popular wall and skirting profiles can now be optimally matched to the tile design with modern printing technology. This results in a perfect integration of effective edge protection in the tile covering.

Customers looking to accentuate tiles in skirtings or wall areas can even have their favourite designs (such as patterns or corporate logos) printed to create a custom appearance.

Whichever method you choose, the modern printing technology of Schlüter-Systems is a step ahead in covering design with profiles.

The following pages explain which profiles are available with custom prints and how you can order them. The product advisors of our sales service and our Customer Service Department will be pleased to assist you with any questions you may have about MyDesign by Schlüter-Systems. You can also find the respective contact information on our website. We look forward to helping you with your Schlüter-MyDesign projects.







MyDesign by Schlüter-Systems

Easy custom orders

The following pages explain which products can be ordered with custom prints for MyDesign by Schlüter-Systems. Please note that custom prints are subject to a one-time MyDesign surcharge for each design. You can then have any number of profiles and accessories from the MyDesign programme printed with this design. The MyDesign surcharge is € 461.25 per design.

Simply follow the four steps in the "Price" section to determine the cost of your custom-printed MyDesign products.

Order

Create your custom product in five steps:

- | | |
|--|---------------------------------|
| 1. Select a profile from the MyDesign programme | e.g. QUADDEC-AC (C / Q ...* DP) |
| 2. Select height add to art. no. | e.g. 6 mm C / Q 60 DP |
| 3. Select corner, end cap or connector | e.g. C / EV / Q 60 DP |
| 4. Submit tile pattern or file with desired design | |
| 5. Approve the printing proof | |

Your sales advisor will be pleased to assist you with your order.
For further details, please visit our website at schluter-systems.com/mydesign.aspx

Price

Calculate your price in four steps:

- | | |
|--|-------------------------------|
| 1. Select the price of the desired profile** | |
| 2. Add MyDesign surcharge C | € 16.91 per metre |
| 3. Price of desired corners / end caps / connectors | fixed price € 29.21 per piece |
| 4. MyDesign surcharge
(one-time set-up cost per design) | € 461.25* |

* not eligible for discounts

** use pricing for products with AC finish as a reference

Calculation help

1. Product	2. Surcharge	3. Accessories	4. Set-up cost	Price		
<input type="text"/>	+	<input type="text"/>	+	<input type="text"/>	=	<input type="text"/>
<input type="text"/>	+	<input type="text"/>	+	<input type="text"/>	=	<input type="text"/>
<input type="text"/>	+	<input type="text"/>	+	<input type="text"/>	=	<input type="text"/>
<input type="text"/>	+	<input type="text"/>	+	<input type="text"/>	=	<input type="text"/>
<input type="text"/>	+	<input type="text"/>	+	<input type="text"/>	=	<input type="text"/>
<input type="text"/>	+	<input type="text"/>	+	<input type="text"/>	=	<input type="text"/>

Finishing profile | corner

**Schlüter®-QUADEC-AC**

colour coated aluminium
 profile length: 2.50 m/3.00 m, height: 6 mm, 8 mm, 10 mm, 11 mm, 12.5 mm
 90° external/internal corner in heights of 6 mm, 8 mm, 10 mm, 11 mm, 12.5 mm

Version	Art. No.	MyDesign surcharge
profile 2.50 m (6–12.5 mm)	C / Q ...* DP	C
profile 3.00 m (6–12.5 mm)	C / Q ...* DP/300	C
90° external/internal corner (6–12.5 mm)	C / EV / Q ...* DP	Fixed price

* To complete the art. no., add the height (e.g. C / Q 60 DP)

You can find the full Schlüter-QUADEC-AC product line on page 63.

Finishing profile | corner

**Schlüter®-RONDEC-AC**

colour coated aluminium
 profile length: 2.50 m/3.00 m, height: 6 mm, 8 mm, 10 mm, 11 mm, 12.5 mm
 90° external corner, 90° internal corner in heights of 6 mm, 8 mm, 10 mm, 11 mm, 12.5 mm

Version	Art. No.	MyDesign surcharge
profile 2.50 m (6–12.5 mm)	C / RO ...* DP	C
profile 3.00 m (6–12.5 mm)	C / RO ...* DP/300	C
90° external corner (6–12.5 mm)	C / EV / ...* DP	Fixed price
90° internal corner (6–12.5 mm)	C / IV / RO ...* DP	Fixed price

* To complete the art. no., add the height (e.g. C / RO 60 DP)

You can find the full Schlüter-RONDEC-AC product line on page 72 (profiles) and page 71 (corners).

Finishing profile | corner

**Schlüter®-JOLLY-AC**

colour coated aluminium
 profile length: 2.50 m/3.00 m, height: 6 mm, 8 mm, 10 mm, 11 mm, 12.5 mm
 90° external corner in heights of 6 mm, 8 mm, 10 mm, 11 mm, 12.5 mm

Version	Art. No.	MyDesign surcharge
profile 2.50 m (6–12.5 mm)	C / J ...* DP	C
profile 3.00 m (6–12.5 mm)	C / J ...* DP/300	C
90° external corner (6–12.5 mm)	C / EV / J ...* DP	Fixed price

* To complete the art. no., add the height (e.g. C / J 60 DP)

You can find the full Schlüter-JOLLY-AC product line on page 82.

Border profile

**Schlüter®-DESIGNLINE-AC**

colour coated aluminium
 profile length: 2.50 m

Version	Art. No.	MyDesign surcharge
profile 2.50 m	C / DL 625 DP	C

You can find the full Schlüter-DESIGNLINE product line on page 102.



Skirting profile | corner | end cap | connector



Schlüter®-DESIGNBASE-SL-AC

colour coated aluminium
 profile length: 2.50 m, height: 60 mm
 90° external corner, 90° internal corner, left end cap, right end cap, connector in heights of 60 mm

Version	Art. No.	MyDesign surcharge
profile 2.50 m (60 mm)	C / DB SL 60 DP	C
90° external corner (60 mm)	C / ED / DB SL 60 DP	Fixed price
90° internal corner (60 mm)	C / ID / DB SL 60 DP	Fixed price
end cap, left (60 mm)	C / EL / DB SL 60 DP	Fixed price
end cap, right (60 mm)	C / ER / DB SL 60 DP	Fixed price
connector (60 mm)	C / V / DB SL 60 DP	Fixed price

You can find the full Schlüter-DESIGNBASE-SL-A product line on pages 106–107.

Finishing profile | corner



Schlüter®-RONDEC-STEP-AC

colour coated aluminium
 profile length: 2.50 m, height: 8 mm, 10 mm, 12.5 mm
 90° external corner, 135° external corner, 90° internal corner,
 135° internal corner in heights of 8 mm, 10 mm, 12.5 mm

Version	Art. No.	MyDesign surcharge
profile 2.50 m (8–12.5 mm)	C / RS ...* DP 39	C
90° external corner (8–12.5 mm)	C / E90 RS ...* DP 39	Fixed price
135° external corner (8–12.5 mm)	C / E135 RS ...* DP 39	Fixed price
90° internal corner (8–12.5 mm)	C / I90 RS ...* DP 39	Fixed price
135° internal corner (8–12.5 mm)	C / I135 RS ...* DP 39	Fixed price

* To complete the art. no., add the height (e.g. C / RS 80 DP 39)

You can find the full Schlüter-RONDEC-STEP product line on page 110.

Cove shaped profile | corner | end cap



Schlüter®-DILEX-AHK-AC

colour coated aluminium
 profile length: 2.50 m, height: 8 mm, 10 mm, 12.5 mm
 90° external corner, 135° external corner, 90° internal corner, 135° internal corner, end cap

Version	Art. No.	MyDesign surcharge
profile 2.50 m (8–12.5 mm)	C / AHK 1S ...* DP	C
90° external corner (for connection with RONDEC)	C / E90 / AHK 1S / DP	Fixed price
90° external corner (for connection with QUADDEC)	C / E90 Q / AHK 1S / DP	Fixed price
135° external corner	C / E135 / AHK 1S / DP	Fixed price
90° internal corner	C / I90 / AHK 1S / DP	Fixed price
135° internal corner	C / I135 / AHK 1S / DP	Fixed price
end cap	C / E / AHK 1S / DP	Fixed price

* To complete the art. no., add the height (e.g. C / AHK 1S 80 DP)

You can find the full Schlüter-DILEX-AHK product line on pages 151–152.

Cove shaped profile | corner | end cap

**Schlüter®-DILEX-AHKA-AC**

colour coated aluminium

profile length: 2.50 m, height: 8 mm, 10 mm, 12.5 mm, 15 mm

90° external corner, 135° external corner, 90° internal corner, 135° internal corner, left end cap, right end cap

Version	Art. No.	MyDesign surcharge
profile 2.50 m (8–15 mm)	C / AHKA ...* DP	C
90° external corner	C / E90 / AHKA / DP	Fixed price
135° external corner	C / E135 / AHKA / DP	Fixed price
90° internal corner	C / I90 / AHKA / DP	Fixed price
135° internal corner	C / I135 / AHKA / DP	Fixed price
end cap, left	C / EL / AHKA / DP	Fixed price
end cap, right	C / ER / AHKA / DP	Fixed price

* To complete the art. no., add the height (e.g. C / AHKA 80 DP)

You can find the full Schlüter-DILEX-AHKA product line on pages 152–153.



My Schlüter®-KERDI-LINE

Custom engraving on frames and grates

As an alternative to colour coatings and prints from the MyDesign by Schlüter-Systems programme, engravings are a further option to add a personal touch to Schlüter products. We offer modern laser engraving for the stainless steel frames and grates of the KERDI-LINE product line. Set design accents with logos, images and text, boost your brand identity, or simply bring out a smile to start the day.

Hotel chains that want to remind guests of their comfortable features in the shower, tradespeople who want to be remembered alongside manufacturer brands, or parents who want their children to have a friendly start of the day. Whatever your motivation, Schlüter-KERDI-LINE lets you leave your mark. Discover the possibilities.



**YOUR
BRAND**





My Schlüter®-KERDI-LINE

Easy custom orders

The following page explains which products can be ordered with a custom My Schlüter-KERDI-LINE engraving. With My Schlüter-KERDI-LINE, you can add personalised engravings to the grates and frames of our linear drains KERDI-LINE-A/-B/-C.

The next page lists the engraving surcharges for the grate and frame combinations shown on pages 212–213.

Simply follow the two steps in the “Price” section to determine the cost of your custom engraving.



Order

Find the right article number in three steps:

- | | |
|--|-----------------------------------|
| 1. Select the product from the My KERDI-LINE programme | e.g. KERDI-LINE-A (KLA 19 EB 100) |
| 2. Select the desired engraving style | e.g. deep engraving (G1) |
| 3. Add engraving code to the article number | e.g. KLA 19 EB 100 G1 |

Your sales advisor will be pleased to assist you with your order.

Price

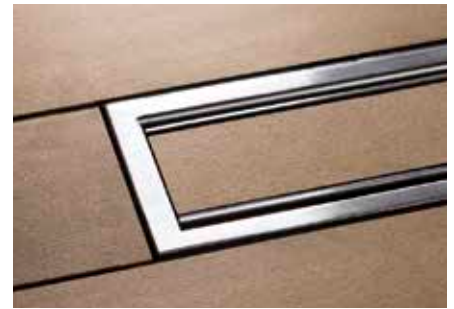
Calculate your price in two steps:

1. Select the price of the desired grate and frame combination
2. Select the applicable My KERDI-LINE surcharge

Note:

My Schlüter-KERDI-LINE engravings are not available on polished or colour coated grates and frames or on Schlüter-KERDI-LINE-STYLE grates.

Grate and frame combination

**Schlüter®-KERDI-LINE-A 19 mm**

with deep engraving, grate only (G1)

Art. No.	Surcharge € / U.
...* G1	60.01

with surface engraving, grate only (G2)

Art. No.	Surcharge € / U.
...* G2	73.37

with crosshatch engraving, grate only (G3)

Art. No.	Surcharge € / U.
...* G3	40.02

with deep engraving on grate + crosshatch engraving on frame (G1R)

Art. No.	Surcharge € / U.
...* G1R	96.71

with surface engraving on grate + crosshatch engraving on frame (G2R)

Art. No.	Surcharge € / U.
...* G2R	110.05

with crosshatch engraving on grate and frame (G3R)

Art. No.	Surcharge € / U.
...* G3R	76.70

with crosshatch engraving, frame only (GR)

Art. No.	Surcharge € / U.
...* GR	38.72

Schlüter®-KERDI-LINE-B 19 mm

with crosshatch engraving, frame only (GR)

Art. No.	Surcharge € / U.
...* GR	38.72

Schlüter®-KERDI-LINE-C 19 mm

with crosshatch engraving, frame only (GR)

Art. No.	Surcharge € / U.
...* GR	38.72



deep engraving



surface engraving



crosshatch engraving

* Add art. no. (e.g. KLA 19 EB 70 G1R)



Schlüter-profiles

Edge profiles for floor coverings

Profiles, such as the original Schlüter-SCHIENE, finish tiled surfaces and protect the external edges of ceramic tile and natural stone coverings from mechanical impact. The profiles of the Schlüter-RENO range create a smooth transition between adjoining floor coverings. All our floor finishing profiles contribute to the lasting aesthetic appeal of floor coverings.





Finishing profiles

Schlüter®-SCHIENE	39
Schlüter®-SCHIENE-TS	40
Schlüter®-SCHIENE-A	42
Schlüter®-SCHIENE-AC	43
Schlüter®-SCHIENE-ES	44
Schlüter®-SCHIENE-BASIC	45
Schlüter®-SCHIENE-V	45

Transition profiles

Schlüter®-RENO-TK	46
Schlüter®-RENO-V	47
Schlüter®-RENO-VT	48
Schlüter®-RENO-VB	48
Schlüter®-RENO-U	49
Schlüter®-RENO-RAMP	50
Schlüter®-RENO-RAMP-K	50
Schlüter®-RENO-T	51

Separator profiles

Schlüter®-TERRAZZO	51
--------------------	----

Angle profiles

Schlüter®-WINKEL	48
------------------	----



Schlüter[®]-SCHIENE

The details make the difference

Schlüter-SCHIENE is rightfully considered a classic among finishing profiles. Its intelligent design is still the best example of the professional detail Schlüter-Systems is known for:

- ✓ 87 degree angled finishing leg for optimum load transfer
- ✓ Cove shape for high flexural strength
- ✓ Reinforced header with 5 degree slope
- ✓ Patented joint spacer

The details add up to perfect protection for your premium tile coverings.



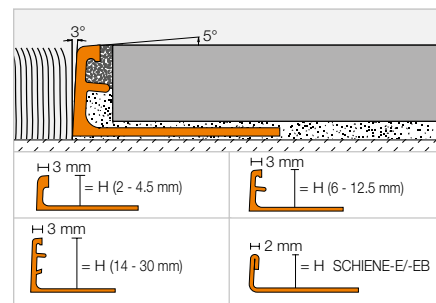
Finishing profile

Schlüter®-SCHIENE



Schlüter-SCHIENE is a special profile for finishing and protecting the edges of tiled surfaces. It is also ideally suited for use with other covering materials and applications. The joint spacer creates a uniform grout joint with the tile. Schlüter-SCHIENE-E does not have a joint spacer.

(Product data sheet 1.1)



Schlüter®-SCHIENE-M



brass

H (mm)	L = 2.50 m Art. No.	€/m	KV (Unit)
–	–	–	–
3	M 30	9.38	120
4.5	M 45	9.38	120
6	M 60	9.52	120
–	–	–	–
8	M 80	10.13	120
9	M 90	10.50	120
10	M 100	10.67	120
11	M 110	11.56	120
12.5	M 125	11.79	120
–	–	–	–
15	M 150	12.67	120
16	M 160	13.78	120
17.5	M 175	14.07	120
20	M 200	14.81	120
–	–	–	–
22.5	M 225	17.44	120
25	M 250	18.54	120
–	–	–	–
30	M 300	20.52	120
	L = 1.00 m		
4.5	M 45/100	9.97	240
6	M 60/100	10.13	240
8	M 80/100	10.74	240
10	M 100/100	11.29	240
12.5	M 125/100	12.39	240
15	M 150/100	13.27	240

Schlüter®-SCHIENE-A



aluminium

H (mm)	L = 2.50 m Art. No.	€/m	KV (Unit)
2	A 20	3.92	120
3	A 30	3.92	120
4.5	A 45	3.92	120
6	A 60	3.92	120
7	A 70	4.00	120
8	A 80	4.07	120
9	A 90	4.14	120
10	A 100	4.22	120
11	A 110	4.52	120
12.5	A 125	4.77	120
14	A 140	5.11	120
15	A 150	5.40	120
16	A 160	5.68	120
17.5	A 175	6.01	120
20	A 200	6.18	120
21	A 210	6.52	120
22.5	A 225	6.84	120
25	A 250	7.13	120
27.5	A 275	7.46	120
30	A 300	7.83	120
	L = 1.00 m		
4.5	A 45/100	4.52	240
6	A 60/100	4.52	240
8	A 80/100	4.67	240
10	A 100/100	4.87	240
12.5	A 125/100	5.40	240
15	A 150/100	6.01	240

Schlüter®-SCHIENE-AE



anodised aluminium

H (mm)	L = 2.50 m Art. No.	€/m	KV (Unit)
2	AE 20	5.40	120
3	AE 30	5.40	120
4.5	AE 45	5.46	120
6	AE 60	5.68	120
7	AE 70	5.84	120
8	AE 80	5.92	120
9	AE 90	6.18	120
10	AE 100	6.31	120
11	AE 110	6.72	120
12.5	AE 125	6.99	120
14	AE 140	7.46	120
15	AE 150	7.70	120
16	AE 160	8.24	120
17.5	AE 175	8.38	120
20	AE 200	9.46	120
21	AE 210	9.90	120
22.5	AE 225	10.05	120
25	AE 250	10.43	120
27.5	AE 275	10.87	120
30	AE 300	11.50	120
	L = 1.00 m		
4.5	AE 45/100	6.02	240
6	AE 60/100	6.23	240
8	AE 80/100	6.52	240
10	AE 100/100	6.93	240
12.5	AE 125/100	7.69	240
15	AE 150/100	8.50	240

Schlüter®-SCHIENE-MC



chrome plated brass

H (mm)	L = 2.50 m Art. No.	€/m	KV (Unit)
6	MC 60	30.89	120
8	MC 80	32.01	120
10	MC 100	32.39	120
11	MC 110	32.62	120
12.5	MC 125	32.89	120

Note:

Schlüter-SCHIENE-M / -A / -AE profiles in sizes 2 mm, 3 mm and 4.5 mm do not have a joint spacer.

For technical reasons, products that are only one metre in length are not available with radius perforations.

For 3 metre length, add "/300" to art. no. (e.g. M 60/300).





Schlüter®-SCHIENE-E



stainless steel V2A

H (mm)	L = 2.50 m Art. No.	€ / m	KV (Unit)
2	E 20	9.87	120
3	E 30	10.26	120
4.5	E 45	11.10	120
6	E 60	11.47	120
7	E 70	11.76	120
8	E 80	11.86	120
9	E 90	12.23	120
10	E 100	12.46	120
11	E 110	13.16	120
12.5	E 125	13.58	120
14	E 140	14.23	120
15	E 150	14.89	120
16	E 160	15.49	120
17.5	E 175	15.87	120
20	E 200	16.42	120
22.5	E 225	17.17	120
25	E 250	18.08	120
30	E 300	19.15	120
	L = 1.00 m		
6	E 60 / 100	12.15	240
8	E 80 / 100	12.46	240
10	E 100 / 100	13.09	240
11	E 110 / 100	13.80	240
12.5	E 125 / 100	14.25	240

Schlüter®-SCHIENE-E V4A



stainless steel V4A

H (mm)	L = 2.50 m Art. No.	€ / m	KV (Unit)
4.5	E 45/V4A	12.28	120
6	E 60/V4A	12.87	120
8	E 80/V4A	13.11	120
10	E 100/V4A	13.81	120
11	E 110/V4A	14.64	120
12.5	E 125/V4A	15.11	120
14	E 140/V4A	15.81	120
15	E 150/V4A	16.57	120
16	E 160/V4A	17.21	120
17.5	E 175/V4A	17.63	120
20	E 200/V4A	18.23	120
22.5	E 225/V4A	19.12	120
25	E 250/V4A	20.10	120
30	E 300/V4A	21.31	120

Schlüter®-SCHIENE-EB



brushed stainless steel V2A

H (mm)	L = 2.50 m Art. No.	€ / m	KV (Unit)
6	E 60 EB	17.19	120
8	E 80 EB	17.57	120
10	E 100 EB	18.17	120
11	E 110 EB	19.11	120
12.5	E 125 EB	19.33	120

Note:

For technical reasons, products that are only one metre in length are not available with radius perforations.

For 3 metre length, add "/300" to art. no. (e.g. M 60/300).

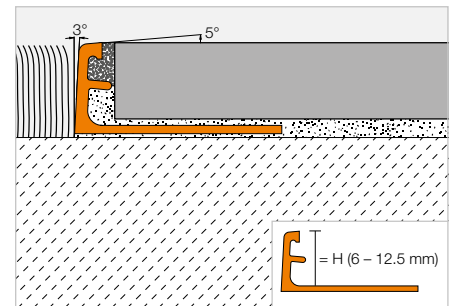
Finishing profile

Schlüter®-SCHIENE-TS



Schlüter-SCHIENE-TS is a decorative profile made of aluminium with a special textured finish that matches modern tile designs. The 87 degree angled finishing leg safeguards tiles against mechanical damage. The joint spacer creates a uniform grout joint with the tile.

(Product data sheet 1.1)



Schlüter®-SCHIENE-TSI



textured natural ivory

H (mm)	L = 2.50 m Art. No.	€ / m	KV (Unit)
6	A 60 TSI	14.50	120
8	A 80 TSI	15.16	120
10	A 100 TSI	15.81	120
11	A 110 TSI	16.14	120
12.5	A 125 TSI	16.47	120

Schlüter®-SCHIENE-TSC



textured natural cream

H (mm)	L = 2.50 m Art. No.	€ / m	KV (Unit)
6	A 60 TSC	14.50	120
8	A 80 TSC	15.16	120
10	A 100 TSC	15.81	120
11	A 110 TSC	16.14	120
12.5	A 125 TSC	16.47	120

Schlüter®-SCHIENE-TSBG



textured natural beige grey

H (mm)	L = 2.50 m Art. No.	€ / m	KV (Unit)
6	A 60 TSBG	14.50	120
8	A 80 TSBG	15.16	120
10	A 100 TSBG	15.81	120
11	A 110 TSBG	16.14	120
12.5	A 125 TSBG	16.47	120

Schlüter®-SCHIENE-TSB

textured natural beige

H (mm)	L = 2.50 m Art. No.	€ / m	KV (Unit)
6	A 60 TSB	14.50	120
8	A 80 TSB	15.16	120
10	A 100 TSB	15.81	120
11	A 110 TSB	16.14	120
12.5	A 125 TSB	16.47	120

Schlüter®-SCHIENE-TSSG

textured natural stone grey

H (mm)	L = 2.50 m Art. No.	€ / m	KV (Unit)
6	A 60 TSSG	14.50	120
8	A 80 TSSG	15.16	120
10	A 100 TSSG	15.81	120
11	A 110 TSSG	16.14	120
12.5	A 125 TSSG	16.47	120

Schlüter®-SCHIENE-TSG

textured natural grey

H (mm)	L = 2.50 m Art. No.	€ / m	KV (Unit)
6	A 60 TSG	14.50	120
8	A 80 TSG	15.16	120
10	A 100 TSG	15.81	120
11	A 110 TSG	16.14	120
12.5	A 125 TSG	16.47	120

Schlüter®-SCHIENE-TSOB

textured natural bronze

H (mm)	L = 2.50 m Art. No.	€ / m	KV (Unit)
6	A 60 TSOB	14.50	120
8	A 80 TSOB	15.16	120
10	A 100 TSOB	15.81	120
11	A 110 TSOB	16.14	120
12.5	A 125 TSOB	16.47	120

Schlüter®-SCHIENE-TSLA

textured natural light anthracite

H (mm)	L = 2.50 m Art. No.	€ / m	KV (Unit)
6	A 60 TSLA	14.50	120
8	A 80 TSLA	15.16	120
10	A 100 TSLA	15.81	120
11	A 110 TSLA	16.14	120
12.5	A 125 TSLA	16.47	120

Schlüter®-SCHIENE-TSDA

textured natural dark anthracite

H (mm)	L = 2.50 m Art. No.	€ / m	KV (Unit)
6	A 60 TSDA	14.50	120
8	A 80 TSDA	15.16	120
10	A 100 TSDA	15.81	120
11	A 110 TSDA	16.14	120
12.5	A 125 TSDA	16.47	120

Schlüter®-SCHIENE-TSR

textured natural rustic brown

H (mm)	L = 2.50 m Art. No.	€ / m	KV (Unit)
–	–	–	–
–	–	–	–
6	A 60 TSR	14.50	120
8	A 80 TSR	15.16	120
10	A 100 TSR	15.81	120
11	A 110 TSR	16.14	120
12.5	A 125 TSR	16.47	120

Schlüter®-SCHIENE-MBW

colour coated aluminium, matte brilliant white

H (mm)	L = 2.50 m Art. No.	€ / m	KV (Unit)
3	A 30 MBW	7.20	120
4.5	A 45 MBW	7.35	120
6	A 60 MBW	7.50	120
8	A 80 MBW	7.93	120
10	A 100 MBW	8.55	120
11	A 110 MBW	8.79	120
12.5	A 125 MBW	9.12	120

Schlüter®-SCHIENE-MGS

colour coated aluminium, matte graphite black

H (mm)	L = 2.50 m Art. No.	€ / m	KV (Unit)
3	A 30 MGS	7.20	120
4.5	A 45 MGS	7.35	120
6	A 60 MGS	7.50	120
8	A 80 MGS	7.93	120
10	A 100 MGS	8.55	120
11	A 110 MGS	8.79	120
12.5	A 125 MGS	9.12	120

For 3 metre length, add "/300" to art. no. (e.g. A 60 MBW/300).

Available finishes | colours



For an overview of finishes and colours, please see page 342.



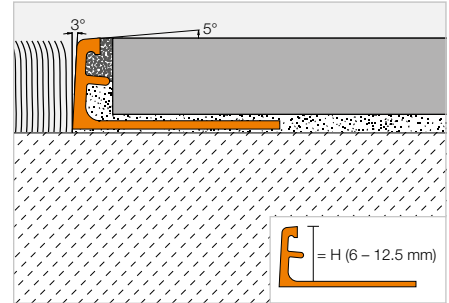


Finishing profile

Schlüter®-SCHIENE-A



Schlüter-SCHIENE-A is a decorative aluminium profile that is available in a variety of anodised and refined finishes. The 87 degree angled finishing leg safeguards tiles against mechanical damage. The joint spacer creates a uniform grout joint with the tile.
(Product data sheet 1.1)



Schlüter®-SCHIENE-ACG



polished chrome anodised aluminium

H (mm)	L = 2.50 m Art. No.	€ / m	KV (Unit)
6	A 60 ACG	13.89	120
8	A 80 ACG	14.31	120
10	A 100 ACG	14.71	120
11	A 110 ACG	14.92	120
12.5	A 125 ACG	15.16	120

Schlüter®-SCHIENE-ACGB



brushed chrome anodised aluminium

H (mm)	L = 2.50 m Art. No.	€ / m	KV (Unit)
6	A 60 ACGB	13.89	120
8	A 80 ACGB	14.31	120
10	A 100 ACGB	14.71	120
11	A 110 ACGB	14.92	120
12.5	A 125 ACGB	15.16	120

For 3 metre length, add "/300" to art. no.
(e.g. A 60 ACG/300).

Schlüter®-SCHIENE-AM



matte brass anodised aluminium

H (mm)	L = 2.50 m Art. No.	€ / m	KV (Unit)
6	A 60 AM	11.40	120
8	A 80 AM	11.74	120
10	A 100 AM	12.06	120
11	A 110 AM	12.24	120
12.5	A 125 AM	12.44	120

Schlüter®-SCHIENE-AMG



polished brass anodised aluminium

H (mm)	L = 2.50 m Art. No.	€ / m	KV (Unit)
6	A 60 AMG	13.89	120
8	A 80 AMG	14.31	120
10	A 100 AMG	14.71	120
11	A 110 AMG	14.92	120
12.5	A 125 AMG	15.16	120

Schlüter®-SCHIENE-AMGB



brushed brass anodised aluminium

H (mm)	L = 2.50 m Art. No.	€ / m	KV (Unit)
6	A 60 AMGB	13.89	120
8	A 80 AMGB	14.31	120
10	A 100 AMGB	14.71	120
11	A 110 AMGB	14.92	120
12.5	A 125 AMGB	15.16	120

Schlüter®-SCHIENE-AK



matte copper/bronze anodised aluminium

H (mm)	L = 2.50 m Art. No.	€ / m	KV (Unit)
6	A 60 AK	11.40	120
8	A 80 AK	11.74	120
10	A 100 AK	12.06	120
11	A 110 AK	12.24	120
12.5	A 125 AK	12.44	120

Schlüter®-SCHIENE-AKG



polished copper/bronze anodised aluminium

H (mm)	L = 2.50 m Art. No.	€ / m	KV (Unit)
6	A 60 AKG	13.89	120
8	A 80 AKG	14.31	120
10	A 100 AKG	14.71	120
11	A 110 AKG	14.92	120
12.5	A 125 AKG	15.16	120

Schlüter®-SCHIENE-AKGB



brushed copper/bronze anodised aluminium

H (mm)	L = 2.50 m Art. No.	€ / m	KV (Unit)
6	A 60 AKGB	13.89	120
8	A 80 AKGB	14.31	120
10	A 100 AKGB	14.71	120
11	A 110 AKGB	14.92	120
12.5	A 125 AKGB	15.16	120

Schlüter®-SCHIENE-AT



matte titanium anodised aluminium

H (mm)	L = 2.50 m Art. No.	€ / m	KV (Unit)
6	A 60 AT	11.40	120
8	A 80 AT	11.74	120
10	A 100 AT	12.06	120
11	A 110 AT	12.24	120
12.5	A 125 AT	12.44	120

Schlüter®-SCHIENE-ATG



polished titanium anodised aluminium

H (mm)	L = 2.50 m Art. No.	€ / m	KV (Unit)
6	A 60 ATG	13.89	120
8	A 80 ATG	14.31	120
10	A 100 ATG	14.71	120
11	A 110 ATG	14.92	120
12.5	A 125 ATG	15.16	120

Schlüter®-SCHIENE-ATGB



brushed titanium anodised aluminium

H (mm)	L = 2.50 m Art. No.	€ / m	KV (Unit)
6	A 60 ATGB	13.89	120
8	A 80 ATGB	14.31	120
10	A 100 ATGB	14.71	120
11	A 110 ATGB	14.92	120
12.5	A 125 ATGB	15.16	120

Schlüter®-SCHIENE-ABGB

brushed antique bronze anodised aluminium

H (mm)	L = 2.50 m Art. No.	€/m	KV (Unit)
6	A 60 ABGB	13.89	120
8	A 80 ABGB	14.31	120
10	A 100 ABGB	14.71	120
11	A 110 ABGB	14.92	120
12.5	A 125 ABGB	15.16	120

Schlüter®-SCHIENE-AGRB

brushed chrome graphite anodised aluminium

H (mm)	L = 2.50 m Art. No.	€/m	KV (Unit)
6	A 60 AGRB	13.89	120
8	A 80 AGRB	14.31	120
10	A 100 AGRB	14.71	120
11	A 110 AGRB	14.92	120
12.5	A 125 AGRB	15.16	120

Schlüter®-SCHIENE-AGSG

polished chrome black anodised aluminium

H (mm)	L = 2.50 m Art. No.	€/m	KV (Unit)
6	A 60 AGSG	13.89	120
8	A 80 AGSG	14.31	120
10	A 100 AGSG	14.71	120
11	A 110 AGSG	14.92	120
12.5	A 125 AGSG	15.16	120

For an overview of finishes and colours, please see page 342.

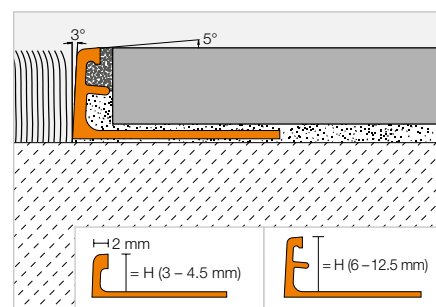
i

The profile is suitable for use in interior spaces with minor mechanical stresses.

Finishing profile

Schlüter®-SCHIENE-AC

Schlüter-SCHIENE-AC is a decorative profile made of colour coated aluminium. The 87 degree angled finishing leg safeguards tiles against mechanical damage. The joint spacer creates a uniform grout joint with the tile.
(Product data sheet 1.1)

**Schlüter®-SCHIENE-AC**

colour coated aluminium

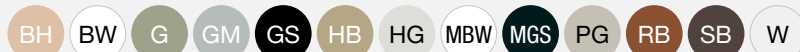
H (mm)	L = 2.50 m Art. No.	€/m	KV (Unit)
3	A 30 ...*	7.20	120
4.5	A 45 ...*	7.35	120
6	A 60 ...*	7.50	120
8	A 80 ...*	7.93	120
10	A 100 ...*	8.55	120
11	A 110 ...*	8.79	120
12.5	A 125 ...*	9.12	120

i

The profile is suitable for use in interior spaces with minor mechanical stresses.

For 3 metre length, add "/300" to art. no. (e.g. A 60 GS/300).

To complete the art. no., add the colour (e.g. A 30 BW)



* Colours L = 2.50 m: BH - BW - G - GM - GS - HB - HG - MBW - MGS - PG - RB - SB - W

Colours L = 3.00 m: BW - GS - MBW - PG - W

For an overview of finishes and colours, please see page 342.



Schlüter®-SCHIENE-ES

By far the best

- ✓ Consistent exact joint patterns
- ✓ Quick and precise installation
- ✓ Separation of tile adhesive and grout
- ✓ The only stainless steel profile with a joint spacer
- ✓ Proven and patented joint spacer technology
- ✓ Available in “stainless steel” and “brushed stainless steel” finishes
- ✓ The joint spacer – discover the difference



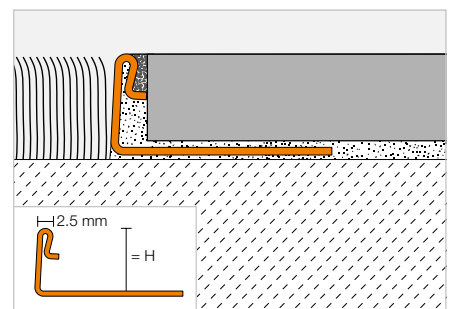
Finishing profile

Schlüter®-SCHIENE-ES



Schlüter-SCHIENE-ES is a stainless steel finishing profile for ceramic tile and natural stone coverings. It features an integrated joint spacer that defines a joint chamber with the covering material.

(Product data sheet 1.1)



Schlüter®-SCHIENE-ES



stainless steel V2A with joint spacer

H (mm)	L = 2.50 m Art. No.	€ / m	KV (Unit)
8	ES 80	11.86	120
10	ES 100	12.46	120
11	ES 110	13.16	120
12.5	ES 125	13.58	120
L = 1.00 m			
8	ES 80 / 100	12.46	240
10	ES 100 / 100	13.09	240
11	ES 110 / 100	13.80	240
12.5	ES 125 / 100	14.25	240

Schlüter®-SCHIENE-ES-EB



brushed stainless steel V2A with joint spacer

H (mm)	L = 2.50 m Art. No.	€ / m	KV (Unit)
8	ES 80 EB	17.57	120
10	ES 100 EB	18.17	120
11	ES 110 EB	19.11	120
12.5	ES 125 EB	19.33	120

For 3 metre length, add “/300” to art. no.
(e.g. ES 80/300).

Note:

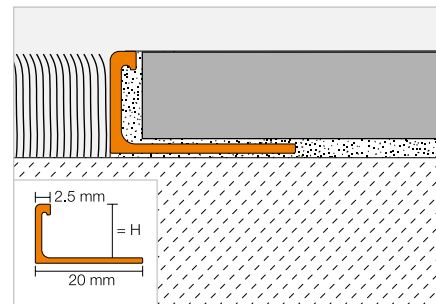
For technical reasons, products that are only one metre in length are not available with radius perforations.

Finishing profile

Schlüter®-SCHIENE-BASIC



Schlüter-SCHIENE-BASIC is a finishing profile for tile coverings or other rigid covering materials with a right angled transition from the anchoring leg to the finishing leg and a right angle head design.



Schlüter®-SCHIENE-BASIC-M

brass

H (mm)	L = 2.50 m Art. No.	€ / m	KV (Unit)
–	–	–	–
8	MBS 80	8.94	120
10	MBS 100	9.45	120
–	–	–	–
12.5	MBS 125	10.24	120
L = 1.00 m			
–	–	–	–
8	MBS 80/100	9.52	240
10	MBS 100/100	10.02	240
–	–	–	–
12.5	MBS 125/100	10.82	240

Schlüter®-SCHIENE-BASIC-A

aluminium

H (mm)	L = 2.50 m Art. No.	€ / m	KV (Unit)
6	ABS 60	3.28	120
8	ABS 80	3.46	120
10	ABS 100	3.76	120
11	ABS 110	3.93	120
12.5	ABS 125	4.07	120
L = 1.00 m			
6	ABS 60/100	3.92	240
8	ABS 80/100	4.07	240
10	ABS 100/100	4.36	240
11	ABS 110/100	4.50	240
12.5	ABS 125/100	4.67	240

Schlüter®-SCHIENE-BASIC-AE

anodised aluminium

H (mm)	L = 2.50 m Art. No.	€ / m	KV (Unit)
6	AEBS 60	4.87	120
8	AEBS 80	5.11	120
10	AEBS 100	5.33	120
11	AEBS 110	5.52	120
12.5	AEBS 125	5.77	120

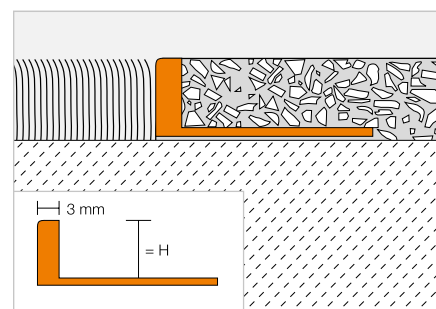
For 3 metre length, add "/300" to art. no.
(e.g. ABS 60/300).

Finishing profile

Schlüter®-SCHIENE-V



Schlüter-SCHIENE-V is a finishing profile for wooden floors or other rigid covering materials such as terrazzo, with a right angled transition from the anchoring leg to the finishing leg. The evenly shaped finishing leg allows for grinding of the covering.



Schlüter®-SCHIENE-AV

aluminium

H (mm)	L = 2.50 m Art. No.	€ / m	KV (Unit)
10	A 100 V	6.14	120
12.5	A 125 V	6.28	120
26	A 260 V	9.17	120

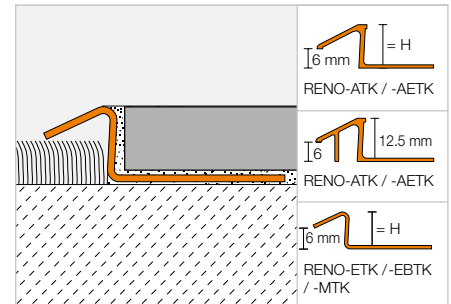


Transition profile

Schlüter®-RENO-TK



Schlüter-RENO-TK provides a smooth transition between tiled surfaces and adjoining carpeting or other coverings of a lower height. In addition, it effectively protects the edges of the adjacent floor coverings.
(Product data sheet 1.4)



Schlüter®-RENO-MTK



brass

H (mm)	L = 2.50 m Art. No.	€ / m	KV (Unit)
8	MTK 80	15.06	60
10	MTK 100	16.30	60
12.5	MTK 125	22.06	60
L = 1.00 m			
8	MTK 80/100	15.72	60
10	MTK 100/100	16.95	60
12.5	MTK 125/100	22.65	60

Schlüter®-RENO-ATK



aluminium

H (mm)	L = 2.50 m Art. No.	€ / m	KV (Unit)
8	ATK 80	6.11	60
10	ATK 100	6.52	60
12.5	ATK 125	8.67	60
L = 1.00 m			
8	ATK 80/100	6.80	60
10	ATK 100/100	7.25	60
12.5	ATK 125/100	9.33	60

Schlüter®-RENO-AETK



anodised aluminium

H (mm)	L = 2.50 m Art. No.	€ / m	KV (Unit)
8	AETK 80	9.40	60
10	AETK 100	9.79	60
12.5	AETK 125	11.58	60
L = 1.00 m			
8	AETK 80/100	10.11	60
10	AETK 100/100	10.51	60
12.5	AETK 125/100	12.26	60

Schlüter®-RENO-ETK

stainless steel V2A

H (mm)	L = 2.50 m Art. No.	€ / m	KV (Unit)
8	ETK 80	16.06	60
10	ETK 100	18.17	60
11	ETK 110	19.77	60
12.5	ETK 125	20.69	60
L = 1.00 m			
8	ETK 80/100	16.97	60
10	ETK 100/100	19.08	60
11	ETK 110/100	20.72	60
12.5	ETK 125/100	21.58	60

Schlüter®-RENO-EBTK

brushed stainless steel V2A

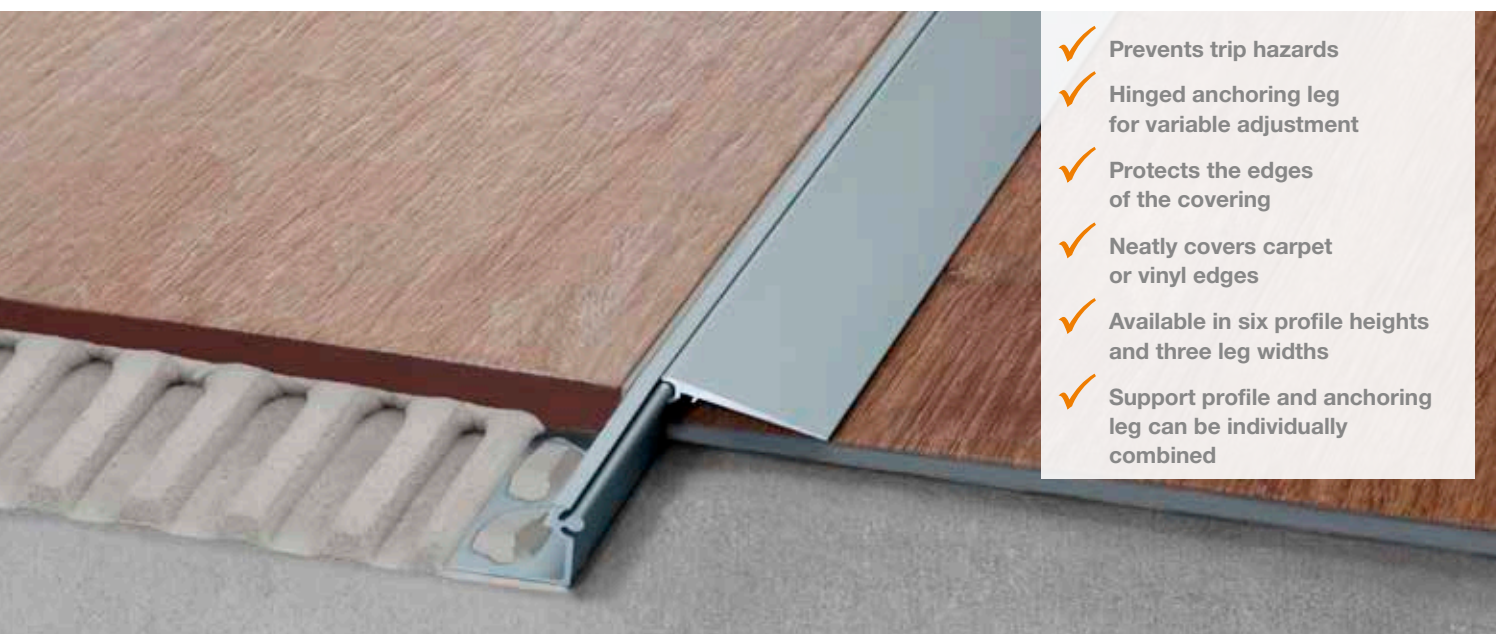
H (mm)	L = 2.50 m Art. No.	€ / m	KV (Unit)
8	EBTK 80	20.87	60
10	EBTK 100	23.66	60
11	EBTK 110	25.56	60
12.5	EBTK 125	26.89	60
L = 1.00 m			
8	EBTK 80/100	21.80	60
10	EBTK 100/100	24.61	60
11	EBTK 110/100	26.58	60
12.5	EBTK 125/100	27.82	60

Note:

For technical reasons, products that are only one metre in length are not available with radius perforations.

Schlüter®-RENO-V

Transition profile with variable anchoring leg



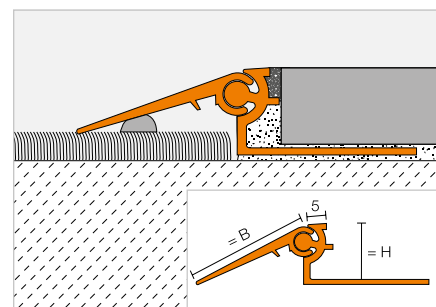
- ✓ Prevents trip hazards
- ✓ Hinged anchoring leg for variable adjustment
- ✓ Protects the edges of the covering
- ✓ Neatly covers carpet or vinyl edges
- ✓ Available in six profile heights and three leg widths
- ✓ Support profile and anchoring leg can be individually combined

Transition profile

Schlüter®-RENO-V



Schlüter-RENO-V is a profile with a variable transition leg for smoothly joining floor coverings of different heights. The joint spacer creates a uniform grout joint with the tile. (Product data sheet 1.7)



Schlüter®-RENO-AV

aluminium

H (mm)	L = 2.50 m Art. No.	€ / m	KV (Unit)
8	AVT 80 B20	15.15	40
10	AVT 100 B20	15.52	40
12.5	AVT 125 B30	17.53	40
15	AVT 150 B30	17.68	40
17.5	AVT 175 B40	20.47	40
20	AVT 200 B40	21.08	40
L = 1.00 m			
8	AVT 80 B20/100	16.47	60
10	AVT 100 B20/100	16.78	60
12.5	AVT 125 B30/100	18.85	60
15	AVT 150 B30/100	19.05	60
17.5	AVT 175 B40/100	21.80	60
20	AVT 200 B40/100	22.49	60

Schlüter®-RENO-AEV

anodised aluminium

H (mm)	L = 2.50 m Art. No.	€ / m	KV (Unit)
8	AEVT 80 B20	23.37	40
10	AEVT 100 B20	23.80	40
12.5	AEVT 125 B30	25.95	40
15	AEVT 150 B30	26.58	40
17.5	AEVT 175 B40	29.70	40
20	AEVT 200 B40	31.18	40
L = 1.00 m			
8	AEVT 80 B20/100	24.68	60
10	AEVT 100 B20/100	25.15	60
12.5	AEVT 125 B30/100	27.33	60
15	AEVT 150 B30/100	27.81	60
17.5	AEVT 175 B40/100	30.97	60
20	AEVT 200 B40/100	32.54	60



Transition profile

Schlüter®-RENO-VT

Schlüter-RENO-VT is the support profile for the variable transition leg Schlüter-RENO-VB. Both products can be combined in both lengths.
(Product data sheet 1.7)

Schlüter®-RENO-AVT

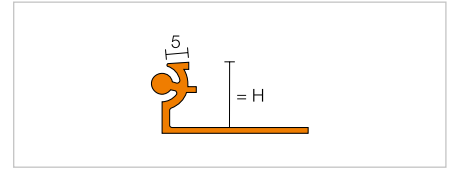
floor support profile, aluminium

H (mm)	L = 2.50 m Art. No.	€ / m	KV (Unit)
8	AVT 80	7.62	60
10	AVT 100	8.03	60
12.5	AVT 125	8.45	60
15	AVT 150	8.67	60
17.5	AVT 175	9.05	60
20	AVT 200	9.72	60

Schlüter®-RENO-AEVT

floor support profile, anodised aluminium

H (mm)	L = 2.50 m Art. No.	€ / m	KV (Unit)
8	AEVT 80	10.18	60
10	AEVT 100	10.69	60
12.5	AEVT 125	11.22	60
15	AEVT 150	11.85	60
17.5	AEVT 175	12.37	60
20	AEVT 200	14.02	60



Prices for Schlüter-RENO-VT and -VB in lengths of 1 m are available upon request (please indicate art. no., e.g. AVT 80/100).

Transition profile

Schlüter®-RENO-VB

Schlüter-RENO-VB is the variable transition leg that can be combined with the support profile Schlüter-RENO-VT in all sizes.
(Product data sheet 1.7)

Schlüter®-RENO-AVB

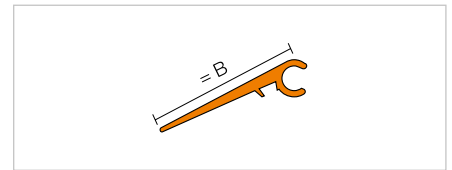
aluminium

B (mm)	L = 2.50 m Art. No.	€ / m	KV (Unit)
20	AVB 20	3.97	60
30	AVB 30	5.51	60
40	AVB 40	8.12	60

Schlüter®-RENO-AEVB

anodised aluminium

B (mm)	L = 2.50 m Art. No.	€ / m	KV (Unit)
20	AEVB 20	9.91	60
30	AEVB 30	11.58	60
40	AEVB 40	14.29	60



Prices for Schlüter-RENO-VT and -VB in lengths of 1 m are available upon request (please indicate art. no., e.g. AVT 80/100).

Angle profile

Schlüter®-WINKEL



Schlüter-WINKEL is a solid, non perforated angle profile for use in a variety of applications.

Schlüter®-WINKEL-A

aluminium

L = 2.50 m Art. No.	€ / m	KV (Unit)
AW 15 x 30 x 2	6.52	60
AW 20 x 20 x 2	5.81	60
AW 30 x 30 x 2	8.95	60
AW 30 x 30 x 3	13.16	60
AW 40 x 20 x 2	8.87	60
AW 40 x 40 x 3	17.63	60

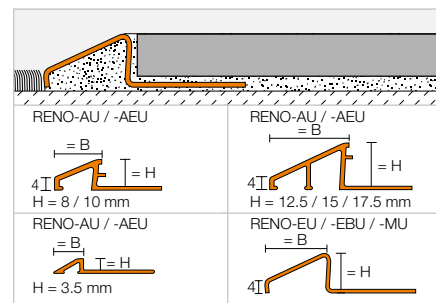
Transition profile

Schlüter®-RENO-U



Schlüter-RENO-U is a profile for creating stepless transitions between floor coverings of different heights. The joint spacer creates a uniform grout joint with the tile. Schlüter-RENO-EU, -EBU and -MU do not have a joint spacer.

(Product data sheet 1.2)



Schlüter®-RENO-MU

brass

H (mm)	B (mm)	L = 2.50 m Art. No.	€ / m	KV (Unit)
–	–	–	–	–
8	12.5	MU 80	17.99	60
10	16.5	MU 100	20.17	60
12.5	22	MU 125	26.67	60
15	27.5	MU 150	29.51	60
–	–	–	–	–
L = 1.00 m				
8	12.5	MU 80/100	18.95	60
10	16.5	MU 100/100	21.08	60
12.5	22	MU 125/100	27.61	60

Schlüter®-RENO-AU

aluminium

H (mm)	B (mm)	L = 2.50 m Art. No.	€ / m	KV (Unit)
3.5	9	AU 35	6.77	60
8	12.5	AU 80	7.01	60
10	16.5	AU 100	7.80	60
12.5	22	AU 125	10.02	60
15	27.5	AU 150	11.22	60
17.5	27	AU 175	12.57	60
L = 1.00 m				
8	12.5	AU 80/100	8.03	60
10	16.5	AU 100/100	8.75	60
12.5	22	AU 125/100	10.96	60

Schlüter®-RENO-AEU

anodised aluminium

H (mm)	B (mm)	L = 2.50 m Art. No.	€ / m	KV (Unit)
3.5	9	AEU 35	9.55	60
8	12.5	AEU 80	10.25	60
10	16.5	AEU 100	11.22	60
12.5	22	AEU 125	13.63	60
15	27.5	AEU 150	15.21	60
17.5	27	AEU 175	16.47	60
L = 1.00 m				
8	12.5	AEU 80/100	11.22	60
10	16.5	AEU 100/100	12.26	60
12.5	22	AEU 125/100	14.54	60

Schlüter®-RENO-EU

stainless steel V2A

H (mm)	B (mm)	L = 2.50 m Art. No.	€ / m	KV (Unit)
8	13	EU 80	19.49	60
10	17.5	EU 100	21.37	60
11	20	EU 110	22.90	60
12.5	23	EU 125	23.67	60
15	28	EU 150	25.72	60
17.5	33.5	EU 175	28.03	60
20	44.5	EU 200	30.50	60
L = 1.00 m				
8	13	EU 80/100	20.39	60
10	17.5	EU 100/100	22.30	60
11	20	EU 110/100	23.83	60
12.5	23	EU 125/100	24.63	60

Schlüter®-RENO-EBU

brushed stainless steel V2A

H (mm)	B (mm)	L = 2.50 m Art. No.	€ / m	KV (Unit)
8	13	EBU 80	25.31	60
10	17.5	EBU 100	27.76	60
11	20	EBU 110	29.84	60
12.5	23	EBU 125	30.73	60
15	28	EBU 150	33.47	60
17.5	33.5	EBU 175	36.46	60
20	44.5	EBU 200	39.66	60
L = 1.00 m				
8	13	EBU 80/100	26.24	60
10	17.5	EBU 100/100	28.66	60
11	20	EBU 110/100	30.78	60
12.5	23	EBU 125/100	31.64	60

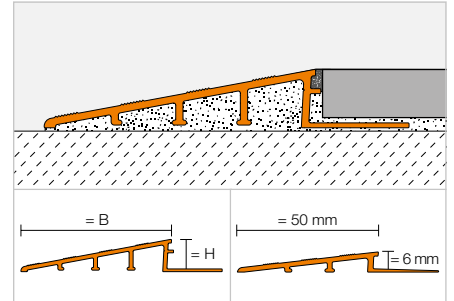


Transition profile

Schlüter®-RENO-RAMP



Schlüter-RENO-RAMP is a profile for creating stepless transitions from heavily trafficked tile coverings to adjoining coverings of a lower height. The joint spacer creates a uniform grout joint with the tile.
(Product data sheet 1.2)



Schlüter®-RENO-RAMP-AE

anodised aluminium

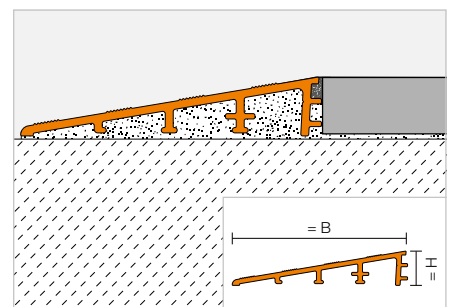
H (mm)	B (mm)	L = 2.50 m Art. No.	€ / m	KV (Unit)
6	50	AERP 60 B50	23.81	60
10	64	AERP 100 B65	25.30	60
12.5	64	AERP 125 B65	25.87	60
12.5	89	AERP 125 B90	30.11	60
15	89	AERP 150 B90	32.81	60
20	89	AERP 200 B90	38.94	60

Transition profile

Schlüter®-RENO-RAMP-K



Schlüter-RENO-RAMP-K is a profile for creating stepless transitions between heavily trafficked tile coverings to adjoining coverings of a lower height. The profile can be retrofitted between the covering material and the substrate for subsequent height adjustment.
(Product data sheet 1.2)



Schlüter®-RENO-RAMP-K

anodised aluminium

H (mm)	B (mm)	L = 2.50 m Art. No.	€ / m	KV (Unit)
12.5	64	AERPK 125 B65	21.98	60



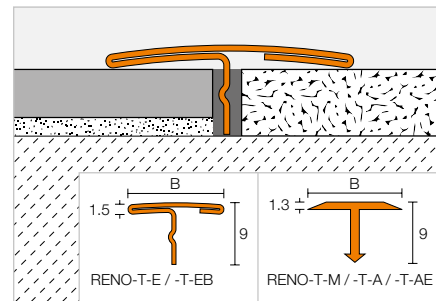
Transition profile

Schlüter®-RENO-T



Schlüter-RENO-T is retrofitted to adjoin different types of floor coverings of the same height.

(Product data sheet 1.3)



Schlüter®-RENO-T-M

brass

B (mm)	L = 2.50 m Art. No.	€ / m	KV (Unit)
14	T 9/14 M	8.45	120
25	T 9/25 M	14.39	120
L = 1.00 m			
14	T 9/14 M/100	9.13	120
25	T 9/25 M/100	15.06	120

Schlüter®-RENO-T-A

aluminium

B (mm)	L = 2.50 m Art. No.	€ / m	KV (Unit)
14	T 9/14 A	3.30	120
25	T 9/25 A	4.20	120
L = 1.00 m			
14	T 9/14 A/100	3.91	120
25	T 9/25 A/100	4.85	120

Schlüter®-RENO-T-AE

anodised aluminium

B (mm)	L = 2.50 m Art. No.	€ / m	KV (Unit)
14	T 9/14 A E	5.31	120
25	T 9/25 A E	5.74	120
L = 1.00 m			
14	T 9/14 A E/100	5.98	120
25	T 9/25 A E/100	6.38	120

Schlüter®-RENO-T-E

stainless steel V2A

B (mm)	L = 2.50 m Art. No.	€ / m	KV (Unit)
14	T 9/14 E	12.25	120
25	T 9/25 E	15.83	120
L = 1.00 m			
14	T 9/14 E/100	12.92	120
25	T 9/25 E/100	16.47	120

Schlüter®-RENO-T-EB

brushed stainless steel V2A

B (mm)	L = 2.50 m Art. No.	€ / m	KV (Unit)
14	T 9/14 EB	15.93	120
25	T 9/25 EB	20.55	120
L = 1.00 m			
14	T 9/14 EB/100	16.81	120
25	T 9/25 EB/100	21.42	120

Note:

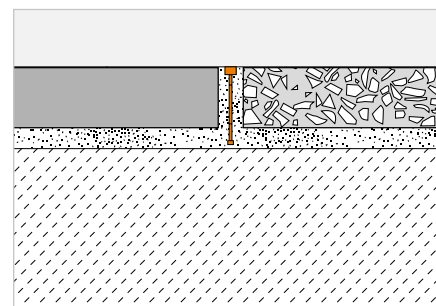
The profiles Schlüter-RENO-T-M / -T-A / -T-AE can be formed to a curve without any special perforations, using the profile forming machine Schlüter-RUMA.

Separator profile

Schlüter®-TERRAZZO



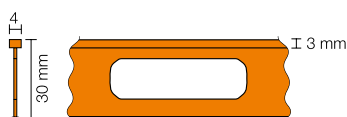
Schlüter-TERRAZZO is a decorative divider profile of solid brass that is incorporated into terrazzo coverings.



Schlüter®-TERRAZZO-M

brass

H (mm)	L = 2.50 m Art. No.	€ / m	KV (Unit)
30	TM 4 x 30	13.25	120





Schlüter-profiles

Wall corner and edge profiles, bathroom accessories

Edge protection is not a question of taste. Beautifully crafted tile coverings are too precious to neglect their protection. Reliably secure the results of your labour with edge protection profiles by Schlüter-Systems. Their wide variety of shapes, colours and finishes give you full freedom of design.





Finishing profiles

Schlüter®-QUADEC	55–64
Schlüter®-RONDEC	65–75
Schlüter®-JOLLY	77–83
Schlüter®-FINEC	85–90
Schlüter®-DECO	96–97
Schlüter®-INDEC	97
Schlüter®-RONDEC-STEP	110–111
Schlüter®-SCHIENE-STEP	112–113

Profile systems with bathroom accessories

Schlüter®-ARCLINE	92–95
-------------------	-------

Corner profiles

Schlüter®-ECK	98–100
---------------	--------

Cove-shaped profiles

Schlüter®-ECK-KHK	101
-------------------	-----

Border profiles for coverings

Schlüter®-DESIGNLINE	102
----------------------	-----

Decorative profiles

Schlüter®-QUADEC-FS	103
---------------------	-----

Mounting profiles

Schlüter®-DECO-SG	104
-------------------	-----

Skirting profiles

Schlüter®-DESIGNBASE	105–108
----------------------	---------



Schlüter-profiles

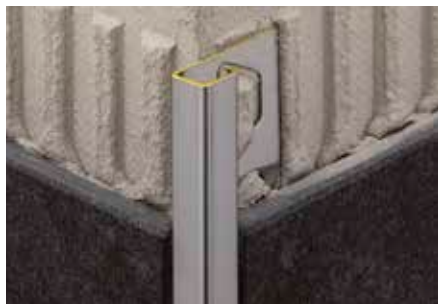
“Heavy metal” for tiles

The ideal choice for combining dependable edge protection with an elegant look that matches chrome plated or stainless steel fittings. Whether stainless steel or chrome plated brass, Schlüter-QUADEC guarantees lasting enjoyment of tile coverings.



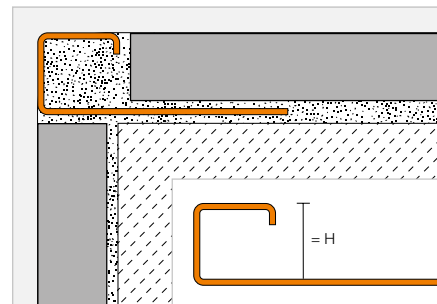
Finishing profile

Schlüter®-QUADEC-MC



Schlüter-QUADEC-MC is a high-quality chrome plated brass finishing profile for external corners and edges of tiled walls. The visible area of the profile forms a right angled external corner.

(Product data sheet 2.10)



Schlüter®-QUADEC-MC

chrome plated brass

H (mm)	L = 2.50 m Art. No.	€ / m	KV (Unit)
6	Q 60 MC	35.48	120
8	Q 80 MC	37.50	120
10	Q 100 MC	39.09	120
11	Q 110 MC	40.23	120
12.5	Q 125 MC	41.26	120
15	Q 150 MC	43.48	120

Corner

Schlüter®-QUADEC-MC/EV

90° external/internal corner,
solid chrome plated brass

H (mm)	Art. No.	€ / U.	P (Unit)
6	EV / Q 60 MC	20.39	50
8	EV / Q 80 MC	20.88	50
10	EV / Q 100 MC	22.52	50
11	EV / Q 110 MC	22.84	50
12.5	EV / Q 125 MC	23.05	50
15	EV / Q 150 MC	23.94	50

Schlüter®-QUADEC-MC/ED

90° external/internal corner,
die cast metal appearance

H (mm)	Art. No.	€ / U.	P (Unit)
6	ED / Q 60 MC	4.67	50
8	ED / Q 80 MC	4.67	50
10	ED / Q 100 MC	4.67	50
11	ED / Q 110 MC	4.67	50
12.5	ED / Q 125 MC	4.67	50
15	ED / Q 150 MC	4.67	50



The variable corner pieces can be used for internal and external corners.

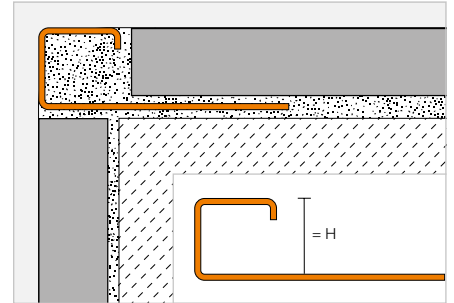


Finishing profile

Schlüter®-QUADEC-E



Schlüter-QUADEC-E is a stainless steel finishing profile that offers excellent edge protection for external corners of tiled walls. The visible area of the profile forms a right angled external corner for tile coverings.
(Product data sheet 2.10)



Schlüter®-QUADEC-E



stainless steel V2A

H (mm)	L = 2.50 m Art. No.	€ / m	KV (Unit)
4.5	Q 45 E	13.66	120
6	Q 60 E	14.57	120
7	Q 70 E	15.14	120
8	Q 80 E	15.71	120
9	Q 90 E	16.49	120
10	Q 100 E	16.81	120
11	Q 110 E	17.20	120
12.5	Q 125 E	17.84	120
14	Q 140 E	18.47	120
15	Q 150 E	18.99	120

Schlüter®-QUADEC-EB



brushed stainless steel V2A

H (mm)	L = 2.50 m Art. No.	€ / m	KV (Unit)
—	—	—	—
6	Q 60 EB	19.13	120
7	Q 70 EB	19.74	120
8	Q 80 EB	20.60	120
9	Q 90 EB	21.45	120
10	Q 100 EB	22.09	120
11	Q 110 EB	22.95	120
12.5	Q 125 EB	23.45	120
14	Q 140 EB	24.66	120
15	Q 150 EB	25.03	120

Schlüter®-QUADEC-EP



polished stainless steel V2A

H (mm)	L = 2.50 m Art. No.	€ / m	KV (Unit)
—	—	—	—
6	Q 60 EP	26.55	120
—	—	—	—
8	Q 80 EP	27.64	120
—	—	—	—
10	Q 100 EP	28.76	120
—	—	—	—
12.5	Q 125 EP	30.98	120
—	—	—	—
15	Q 150 EP	33.17	120

Schlüter®-QUADEC-E V4A



stainless steel V4A

H (mm)	L = 2.50 m Art. No.	€ / m	KV (Unit)
6	Q 60 E / V4A	16.22	120
8	Q 80 E / V4A	17.47	120
10	Q 100 E / V4A	18.72	120
12.5	Q 125 E / V4A	19.80	120

Note:

Schlüter-QUADEC-E/-EB profiles in heights of 14/15 mm are not available with radius perforation.

Schlüter-QUADEC-EP profiles in heights of 15 mm are not available with radius perforation.

For 3 metre length, add "/300" to art. no. (e.g. Q 60 E/300).

Corner | end cap | connector

Schlüter®-QUADEC-E/EV

90° external/internal corner,
solid stainless steel V2A

H (mm)	Art. No.	€ / U.	P (Unit)
4.5	EV / Q 45 E	23.78	50
6	EV / Q 60 E	24.27	50
7	EV / Q 70 E	24.59	50
8	EV / Q 80 E	24.92	50
9	EV / Q 90 E	26.42	50
10	EV / Q 100 E	26.93	50
11	EV / Q 110 E	27.23	50
12.5	EV / Q 125 E	27.53	50
14	EV / Q 140 E	28.03	50
15	EV / Q 150 E	28.21	50

Schlüter®-QUADEC-E/ED

90° external/internal corner,
die cast metal appearance

H (mm)	Art. No.	€ / U.	P (Unit)
4.5	ED / Q 45 E	4.74	50
6	ED / Q 60 E	4.74	50
7	ED / Q 70 E	4.74	50
8	ED / Q 80 E	4.74	50
9	ED / Q 90 E	4.74	50
10	ED / Q 100 E	4.74	50
11	ED / Q 110 E	4.74	50
12.5	ED / Q 125 E	4.74	50
14	ED / Q 140 E	4.74	50
15	ED / Q 150 E	4.74	50



Schlüter®-QUADEC-EB/EV90° external/internal corner,
brushed solid stainless steel V2A

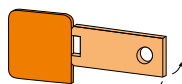
H (mm)	Art. No.	€ / U.	P (Unit)
6	EV / Q 60 EB	28.23	50
7	EV / Q 70 EB	28.57	50
8	EV / Q 80 EB	28.94	50
9	EV / Q 90 EB	29.95	50
10	EV / Q 100 EB	31.26	50
11	EV / Q 110 EB	31.46	50
12.5	EV / Q 125 EB	31.94	50
14	EV / Q 140 EB	32.16	50
15	EV / Q 150 EB	32.70	50

Schlüter®-QUADEC-EB/ED90° external/internal corner,
brushed die cast metal appearance

H (mm)	Art. No.	€ / U.	P (Unit)
6	ED / Q 60 EB	6.92	50
7	ED / Q 70 EB	6.92	50
8	ED / Q 80 EB	6.92	50
9	ED / Q 90 EB	6.92	50
10	ED / Q 100 EB	6.92	50
11	ED / Q 110 EB	6.92	50
12.5	ED / Q 125 EB	6.92	50
14	ED / Q 140 EB	6.92	50
15	ED / Q 150 EB	6.92	50

The variable corner pieces can be used for internal
and external corners.**Schlüter®-QUADEC-EB/EK***end cap,
brushed stainless steel V2A

H (mm)	Art. No.	€ / U.	P (Unit)
6	EK / Q 60 EB	2.41	50
7	EK / Q 70 EB	2.41	50
8	EK / Q 80 EB	2.41	50
9	EK / Q 90 EB	2.41	50
10	EK / Q 100 EB	2.41	50
11	EK / Q 110 EB	2.41	50
12.5	EK / Q 125 EB	2.41	50
14	EK / Q 140 EB	2.41	50
15	EK / Q 150 EB	2.41	50



Schlüter-QUADEC-EB/EK

* Suitable for Schlüter-QUADEC-E, V2A.

Schlüter®-QUADEC-EP/EV90° external/internal corner,
polished solid stainless steel V2A

H (mm)	Art. No.	€ / U.	P (Unit)
6	EV / Q 60 EP	26.92	50
8	EV / Q 80 EP	28.54	50
10	EV / Q 100 EP	30.58	50
12.5	EV / Q 125 EP	33.17	50
15	EV / Q 150 EP	36.85	50

Schlüter®-QUADEC-EP/ED90° external/internal corner,
polished die cast metal appearance

H (mm)	Art. No.	€ / U.	P (Unit)
6	ED / Q 60 EP	4.80	50
8	ED / Q 80 EP	4.80	50
10	ED / Q 100 EP	4.80	50
12.5	ED / Q 125 EP	4.80	50
15	ED / Q 150 EP	4.80	50

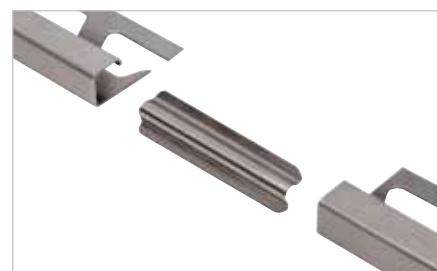
Schlüter®-QUADEC-EV V4A90° external/internal corner,
solid stainless steel V4A

H (mm)	Art. No.	€ / U.	P (Unit)
6	EV / Q 60 E/V4A	27.00	50
8	EV / Q 80 E/V4A	27.69	50
10	EV / Q 100 E/V4A	29.94	50
12.5	EV / Q 125 E/V4A	30.59	50

Schlüter®-RONDEC-E/V

connector for stainless steel profiles

H (mm)	Art. No.	€ / U.	P (Unit)
6	V / RO 60 E	2.38	50
8	V / RO 80 E	2.38	50
10	V / RO 100 E	2.38	50
11	V / RO 110 E	2.38	50
12.5	V / RO 125 E	2.38	50



Suitable for Schlüter-RODEC and -QUADEC profiles.



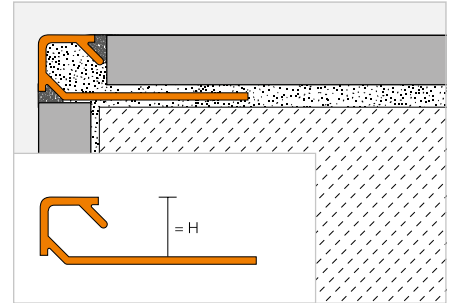
Finishing profile

Schlüter®-QUADEC-TS



Schlüter-QUADEC-TS is a high-quality finishing profile made of aluminium with a special textured coating for external wall corners and the edges of tile coverings. The visible area of the profile forms a right angled external corner. The joint spacer creates a uniform grout joint with the tile.

(Product data sheet 2.10)



Schlüter®-QUADEC-TSI

textured natural ivory

H (mm)	L = 2.50 m Art. No.	€ / m	KV (Unit)
4.5	Q 45 TSI	15.16	120
6	Q 60 TSI	15.81	120
8	Q 80 TSI	17.15	120
10	Q 100 TSI	18.45	120
11	Q 110 TSI	19.12	120
12.5	Q 125 TSI	20.10	120

Schlüter®-QUADEC-TSC

textured natural cream

H (mm)	L = 2.50 m Art. No.	€ / m	KV (Unit)
4.5	Q 45 TSC	15.16	120
6	Q 60 TSC	15.81	120
8	Q 80 TSC	17.15	120
10	Q 100 TSC	18.45	120
11	Q 110 TSC	19.12	120
12.5	Q 125 TSC	20.10	120

Schlüter®-QUADEC-TSBG

textured natural beige grey

H (mm)	L = 2.50 m Art. No.	€ / m	KV (Unit)
4.5	Q 45 TSBG	15.16	120
6	Q 60 TSBG	15.81	120
8	Q 80 TSBG	17.15	120
10	Q 100 TSBG	18.45	120
11	Q 110 TSBG	19.12	120
12.5	Q 125 TSBG	20.10	120

Schlüter®-QUADEC-TSB

textured natural beige

H (mm)	L = 2.50 m Art. No.	€ / m	KV (Unit)
4.5	Q 45 TSB	15.16	120
6	Q 60 TSB	15.81	120
8	Q 80 TSB	17.15	120
10	Q 100 TSB	18.45	120
11	Q 110 TSB	19.12	120
12.5	Q 125 TSB	20.10	120

Schlüter®-QUADEC-TSSG

textured natural stone grey

H (mm)	L = 2.50 m Art. No.	€ / m	KV (Unit)
4.5	Q 45 TSSG	15.16	120
6	Q 60 TSSG	15.81	120
8	Q 80 TSSG	17.15	120
10	Q 100 TSSG	18.45	120
11	Q 110 TSSG	19.12	120
12.5	Q 125 TSSG	20.10	120

Schlüter®-QUADEC-TSG

textured natural grey

H (mm)	L = 2.50 m Art. No.	€ / m	KV (Unit)
4.5	Q 45 TSG	15.16	120
6	Q 60 TSG	15.81	120
8	Q 80 TSG	17.15	120
10	Q 100 TSG	18.45	120
11	Q 110 TSG	19.12	120
12.5	Q 125 TSG	20.10	120

Schlüter®-QUADEC-TSOB

textured natural bronze

H (mm)	L = 2.50 m Art. No.	€ / m	KV (Unit)
4.5	Q 45 TSOB	15.16	120
6	Q 60 TSOB	15.81	120
8	Q 80 TSOB	17.15	120
10	Q 100 TSOB	18.45	120
11	Q 110 TSOB	19.12	120
12.5	Q 125 TSOB	20.10	120

Schlüter®-QUADEC-TSLA

textured natural light anthracite

H (mm)	L = 2.50 m Art. No.	€ / m	KV (Unit)
4.5	Q 45 TSLA	15.16	120
6	Q 60 TSLA	15.81	120
8	Q 80 TSLA	17.15	120
10	Q 100 TSLA	18.45	120
11	Q 110 TSLA	19.12	120
12.5	Q 125 TSLA	20.10	120

Schlüter®-QUADEC-TSDA

textured natural dark anthracite

H (mm)	L = 2.50 m Art. No.	€ / m	KV (Unit)
4.5	Q 45 TSDA	15.16	120
6	Q 60 TSDA	15.81	120
8	Q 80 TSDA	17.15	120
10	Q 100 TSDA	18.45	120
11	Q 110 TSDA	19.12	120
12.5	Q 125 TSDA	20.10	120

Schlüter®-QUADEC-TSR

textured natural rustic brown

H (mm)	L = 2.50 m Art. No.	€ / m	KV (Unit)
4.5	Q 45 TSR	15.16	120
6	Q 60 TSR	15.81	120
8	Q 80 TSR	17.15	120
10	Q 100 TSR	18.45	120
11	Q 110 TSR	19.12	120
12.5	Q 125 TSR	20.10	120

Schlüter®-QUADEC-MBW

colour coated aluminium, matte brilliant white

H (mm)	L = 2.50 m Art. No.	€ / m	KV (Unit)
4.5	Q 45 MBW	7.82	120
6	Q 60 MBW	8.29	120
8	Q 80 MBW	9.28	120
10	Q 100 MBW	10.16	120
11	Q 110 MBW	11.37	120
12.5	Q 125 MBW	12.70	120

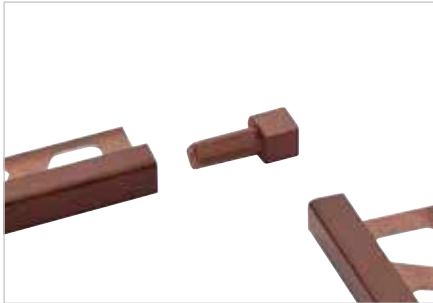
Schlüter®-QUADEC-MGS

colour coated aluminium, matte graphite black

H (mm)	L = 2.50 m Art. No.	€ / m	KV (Unit)
4.5	Q 45 MGS	7.82	120
6	Q 60 MGS	8.29	120
8	Q 80 MGS	9.28	120
10	Q 100 MGS	10.16	120
11	Q 110 MGS	11.37	120
12.5	Q 125 MGS	12.70	120

For 3 metre length, add "/300" to art. no. (e.g. Q 60 TSI/300).

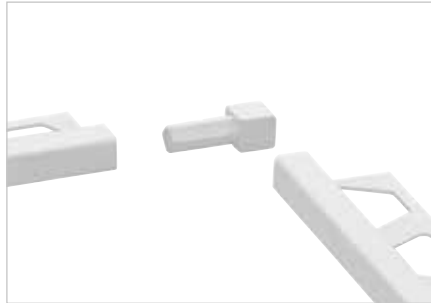
Corner | connector



Schlüter®-QUADEC-TS/EV

90° external/internal corner, aluminium

H (mm)	Art. No.	€ / U.	P (Unit)
4.5	EV / Q 45 ...**	12.52	50
6	EV / Q 60 ...**	12.52	50
8	EV / Q 80 ...**	12.52	50
10	EV / Q 100 ...**	12.52	50
11	EV / Q 110 ...**	12.52	50
12.5	EV / Q 125 ...**	12.52	50



Schlüter®-QUADEC-AC/EV

90° external/internal corner for QUADEC-MBW/-MGS, solid aluminium

H (mm)	Art. No.	€ / U.	P (Unit)
4.5	EV / Q 45 ...*	12.52	50
6	EV / Q 60 ...*	12.52	50
8	EV / Q 80 ...*	12.52	50
10	EV / Q 100 ...*	12.52	50
11	EV / Q 110 ...*	12.52	50
12.5	EV / Q 125 ...*	12.52	50



Schlüter®-QUADEC-AC/ED

90° external corner for QUADEC-MBW/-MGS, die cast metal appearance

H (mm)	Art. No.	€ / U.	P (Unit)
4.5	ED / Q 45 ...*	4.67	50
6	ED / Q 60 ...*	4.67	50
8	ED / Q 80 ...*	4.67	50
10	ED / Q 100 ...*	4.67	50
11	ED / Q 110 ...*	4.67	50
12.5	ED / Q 125 ...*	4.67	50



To complete the art. no., add the finish/colour (e.g. ED / Q 45 MGS)

* Finishes/colours: MBW - MGS

** Finishes/colours: TSB - TSBG - TSC - TSDA - TSG - TSI - TSLA - TSOB - TSR - TSSG

Schlüter®-RONDEC-A/V

connector for aluminium profiles

H (mm)	Art. No.	€ / U.	P (Unit)
6	V / RO 60	1.27	50
8	V / RO 80	1.27	50
10	V / RO 100	1.27	50
11	V / RO 110	1.27	50
12.5	V / RO 125	1.27	50

Schlüter®-QUADEC-A/V

connector for aluminium profiles

H (mm)	Art. No.	€ / U.	P (Unit)
6	V / Q 60	1.27	50



Schlüter®-RONDEC-A/V – suitable for Schlüter®-RONDEC and -QUADEC profiles. Except H = 6 mm; RONDEC and QUADEC connector is available in that case.

Available finishes | colours



For an overview of finishes and colours, please see page 342.



Schlüter®-QUADEC-A

Versatility³ – anodised aluminium finishes

- ✓ High-quality anodised aluminium profiles
- ✓ Five different colour choices
- ✓ Four different finishes:
 - Matte
 - Polished
 - Brushed
 - Cross brushed

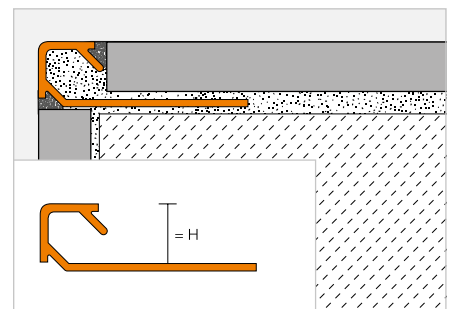


Finishing profile

Schlüter®-QUADEC-A



Schlüter-QUADEC-A is a high-quality anodised aluminium finishing profile for external corners and edges of tiled walls. The visible area of the profile forms a right angled external corner. The joint spacer creates a uniform grout joint with the tile.
(Product data sheet 2.10)



Schlüter®-QUADEC-AE



anodised aluminium

H (mm)	L = 2.50 m Art. No.	€ / m	KV (Unit)
4.5	Q 45 AE	6.68	120
6	Q 60 AE	6.94	120
8	Q 80 AE	7.51	120
10	Q 100 AE	8.20	120
11	Q 110 AE	8.51	120
12.5	Q 125 AE	8.77	120

Schlüter®-QUADEC-ACG



polished chrome anodised aluminium

H (mm)	L = 2.50 m Art. No.	€ / m	KV (Unit)
4.5	Q 45 ACG	15.03	120
6	Q 60 ACG	15.79	120
8	Q 80 ACG	16.59	120
10	Q 100 ACG	17.63	120
11	Q 110 ACG	18.45	120
12.5	Q 125 ACG	19.62	120

Schlüter®-QUADEC-ACGB



brushed chrome anodised aluminium

H (mm)	L = 2.50 m Art. No.	€ / m	KV (Unit)
4.5	Q 45 ACGB	15.34	120
6	Q 60 ACGB	16.05	120
8	Q 80 ACGB	17.97	120
10	Q 100 ACGB	18.94	120
11	Q 110 ACGB	19.37	120
12.5	Q 125 ACGB	19.84	120

Schlüter®-QUADEC-AT

matte titanium anodised aluminium

H (mm)	L = 2.50 m Art. No.	€ / m	KV (Unit)
4.5	Q 45 AT	7.01	120
6	Q 60 AT	7.33	120
8	Q 80 AT	8.01	120
10	Q 100 AT	8.69	120
11	Q 110 AT	9.09	120
12.5	Q 125 AT	9.58	120

Schlüter®-QUADEC-ATG

polished titanium anodised aluminium

H (mm)	L = 2.50 m Art. No.	€ / m	KV (Unit)
4.5	Q 45 ATG	15.03	120
6	Q 60 ATG	15.79	120
8	Q 80 ATG	16.59	120
10	Q 100 ATG	17.63	120
11	Q 110 ATG	18.45	120
12.5	Q 125 ATG	19.62	120

Schlüter®-QUADEC-ATGB

brushed titanium anodised aluminium

H (mm)	L = 2.50 m Art. No.	€ / m	KV (Unit)
4.5	Q 45 ATGB	15.34	120
6	Q 60 ATGB	16.05	120
8	Q 80 ATGB	17.97	120
10	Q 100 ATGB	18.94	120
11	Q 110 ATGB	19.37	120
12.5	Q 125 ATGB	19.84	120

Schlüter®-QUADEC-AEX

cross brushed anodised aluminium

H (mm)	L = 2.50 m Art. No.	€ / m	KV (Unit)
6	Q 60 AEX	16.05	120
8	Q 80 AEX	17.97	120
10	Q 100 AEX	18.94	120
11	Q 110 AEX	19.45	120
12.5	Q 125 AEX	19.84	120

Schlüter®-QUADEC-AMX

cross brushed brass anodised aluminium

H (mm)	L = 2.50 m Art. No.	€ / m	KV (Unit)
6	Q 60 AMX	16.05	120
8	Q 80 AMX	17.97	120
10	Q 100 AMX	18.94	120
11	Q 110 AMX	19.45	120
12.5	Q 125 AMX	19.84	120

Schlüter®-QUADEC-ATX

cross brushed titanium anodised aluminium

H (mm)	L = 2.50 m Art. No.	€ / m	KV (Unit)
6	Q 60 ATX	16.05	120
8	Q 80 ATX	17.97	120
10	Q 100 ATX	18.94	120
11	Q 110 ATX	19.45	120
12.5	Q 125 ATX	19.84	120

Schlüter®-QUADEC-AQGX

cross brushed quartz grey anodised aluminium

H (mm)	L = 2.50 m Art. No.	€ / m	KV (Unit)
6	Q 60 AQGX	16.05	120
8	Q 80 AQGX	17.97	120
10	Q 100 AQGX	18.94	120
11	Q 110 AQGX	19.45	120
12.5	Q 125 AQGX	19.84	120

For 3 metre length, add "/300" to art. no. (e.g. Q 60 AE/300).

Corner | connector**Schlüter®-QUADEC-A/EV**90° external/internal corner,
solid aluminium

H (mm)	Art. No.	€ / U.	P (Unit)
4.5	EV / Q 45 ...*	8.51	50
6	EV / Q 60 ...**	8.69	50
8	EV / Q 80 ...**	9.07	50
10	EV / Q 100 ...**	9.42	50
11	EV / Q 110 ...**	9.66	50
12.5	EV / Q 125 ...**	9.82	50

Schlüter®-QUADEC-A/ED90° external corner,
aluminium appearance

H (mm)	Art. No.	€ / U.	P (Unit)
4.5	ED / Q 45 ...*	4.67	50
6	ED / Q 60 ...*	4.67	50
8	ED / Q 80 ...*	4.67	50
10	ED / Q 100 ...*	4.67	50
11	ED / Q 110 ...*	4.67	50
12.5	ED / Q 125 ...*	4.67	50

Schlüter®-RONDEC-A/V

connector for aluminium profiles

H (mm)	Art. No.	€ / U.	P (Unit)
—	—	—	—
6	V / RO 60	1.27	50
8	V / RO 80	1.27	50
10	V / RO 100	1.27	50
11	V / RO 110	1.27	50
12.5	V / RO 125	1.27	50

Schlüter®-QUADEC-A/V

connector for aluminium profiles

H (mm)	Art. No.	€ / U.	P (Unit)
6	V / Q 60	1.27	50

Schlüter-ROnDEC-A/V – suitable for
Schlüter-ROnDEC and -QUADEC profiles.
Except H = 6 mm; ROnDEC and QUADEC connector
is available in that case.**To complete the art. no., add the finish (e.g. ED / Q 45 ACGB)**

* Finishes: ACG - ACGB - AE - AT - ATG - ATGB

** Finishes: ACG - ACGB - AE - AEX - AMX - AQGX - AT - ATG - ATGB - ATX

For an overview of finishes and colours, please see page 342.



Schlüter-profiles

Black and White

The rich texture of the finishes matte brilliant white (MBW) and matte graphite black (MGS) offers a completely new appearance that perfectly complements classic tiles and stylish new designs with textured finishes.



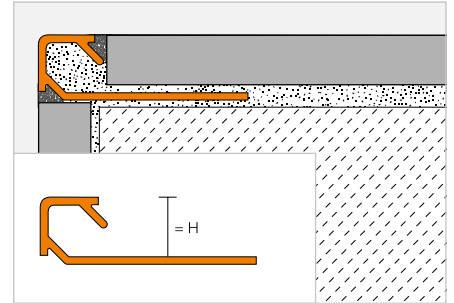


Finishing profile

Schlüter®-QUADEC-AC



Schlüter-QUADEC-AC is a high-quality colour coated aluminium finishing profile for external corners and the edges of tiled coverings. The visible area of the profile forms a right angled external corner. The joint spacer creates a uniform grout joint with the tile.
(Product data sheet 2.10)



Schlüter®-QUADEC-AC

colour coated aluminium

H (mm)	L = 2.50 m Art. No.	€ / m	KV (Unit)
4.5	Q 45 ...*	7.82	120
6	Q 60 ...**	8.29	120
8	Q 80 ...**	9.28	120
10	Q 100 ...**	10.16	120
11	Q 110 ...**	11.37	120
12.5	Q 125 ...**	12.70	120

MyDesign by Schlüter-Systems
 Custom prints or coating in 190 RAL Classic colours available. More details from page 16.

For 3 metre length, add "/300" to art. no. (e.g. Q 60 BW/300).

Corner | connector

Schlüter®-QUADEC-AC/ED

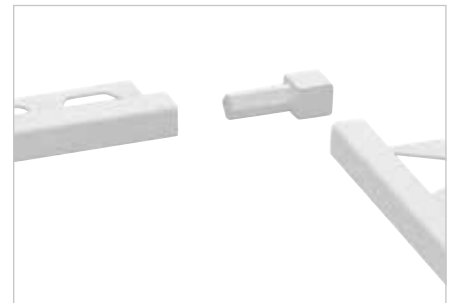
90° external corner, die cast metal appearance

H (mm)	Art. No.	€ / U.	P (Unit)
4.5	ED / Q 45 ...*	4.67	50
6	ED / Q 60 ...**	4.67	50
8	ED / Q 80 ...**	4.67	50
10	ED / Q 100 ...**	4.67	50
11	ED / Q 110 ...**	4.67	50
12.5	ED / Q 125 ...**	4.67	50

Schlüter®-QUADEC-AC/EV

90° external/internal corner for QUADEC-MBW-MGS, solid aluminium

H (mm)	Art. No.	€ / U.	P (Unit)
4.5	EV / Q 45 ...***	12.52	50
6	EV / Q 60 ...***	12.52	50
8	EV / Q 80 ...***	12.52	50
10	EV / Q 100 ...***	12.52	50
11	EV / Q 110 ...***	12.52	50
12.5	EV / Q 125 ...***	12.52	50



Schlüter®-RONDEC-A/V

connector for aluminium profiles

H (mm)	Art. No.	€ / U.	P (Unit)
6	V / RO 60	1.27	50
8	V / RO 80	1.27	50
10	V / RO 100	1.27	50
11	V / RO 110	1.27	50
12.5	V / RO 125	1.27	50

Schlüter®-QUADEC-A/V

connector for aluminium profiles

H (mm)	Art. No.	€ / U.	P (Unit)
6	V / Q 60	1.27	50



Schlüter-RONDEC-A/V – suitable for Schlüter-RONDEC and -QUADEC profiles. Except H = 6 mm; RONDEC and QUADEC connector is available in that case.

To complete the art. no., add the colour (e.g. EV / Q 45 MBW)



* Colours: BW - G - MBW - MGS - PG - PW - QG - VG - W

** Colours: BW - GS - MBW - MGS - PG - QG - VG - W

*** Colours: MBW - MGS

Colours L = 3.00 m: BW - GS - MBW - MGS - PG - QG - VG - W

For an overview of finishes and colours, please see page 342.





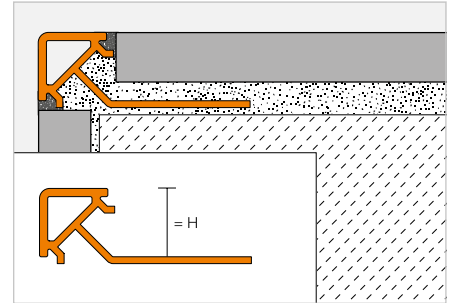
Finishing profile

Schlüter®-QUADEC-PQ



Schlüter-QUADEC-PQ is a finishing profile of coloured PVC for external wall corners and the edges of tile coverings. The visible area of the profile forms a right angled external corner. The joint spacer creates a uniform grout joint with the tile.

(Product data sheet 2.10)



Schlüter®-QUADEC-PQ

coloured PVC

H (mm)	L = 2.50 m Art. No.	€ / m	KV (Unit)
6	PQ 60 ...*	3.08	240
8	PQ 80 ...*	3.23	240
10	PQ 100 ...*	3.43	240
11	PQ 110 ...*	3.60	240
12.5	PQ 125 ...*	3.70	240

Corner

Schlüter®-QUADEC-PQ/E

90° external corner

H (mm)	Art. No.	€ / U.	P (Unit)
6	E / PQ 60 ...*	1.92	50
8	E / PQ 80 ...*	1.92	50
10	E / PQ 100 ...*	1.92	50
11	E / PQ 110 ...*	1.92	50
12.5	E / PQ 125 ...*	1.92	50



To complete the art. no., add the colour (e.g. E / PQ 60 PG)



* Colours: BH - BW - GS - PG - SP - W

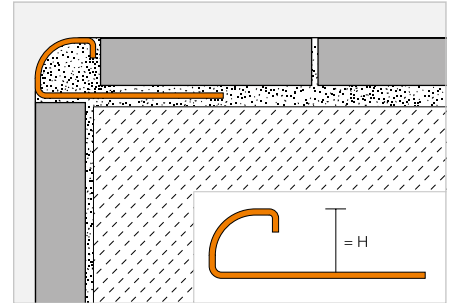
For an overview of finishes and colours, please see page 342.

Finishing profile

Schlüter®-RONDEC-MC



Schlüter-RODEC-MC is a symmetrically rounded profile for external wall corners or the edges of coverings, made of brass with a chrome plated finish.
(Product data sheet 2.1)



Schlüter®-RONDEC-MC

chrome plated brass

H (mm)	L = 2.50 m Art. No.	€ / m	KV (Unit)
6	RO 60 MC	33.79	120
8	RO 80 MC	35.70	120
10	RO 100 MC	37.23	120
11	RO 110 MC	38.04	120
12.5	RO 125 MC	39.27	120

Corner

Schlüter®-RONDEC-MC/EV

90° external corner,
solid chrome plated brass

H (mm)	Art. No.	€ / U.	P (Unit)
6	EV / RO 60 MC	17.33	50
8	EV / RO 80 MC	18.10	50
10	EV / RO 100 MC	18.87	50
11	EV / RO 110 MC	19.11	50
12.5	EV / RO 125 MC	19.62	50

Schlüter®-RONDEC-MC/ED

90° external corner,
die cast metal appearance

H (mm)	Art. No.	€ / U.	P (Unit)
6	ED / RO 60 MC	3.76	50
8	ED / RO 80 MC	3.76	50
10	ED / RO 100 MC	3.76	50
11	ED / RO 110 MC	3.76	50
12.5	ED / RO 125 MC	3.76	50



Schlüter®-RONDEC-MC/IV

90° internal corner,
solid chrome plated brass

H (mm)	Art. No.	€ / U.	P (Unit)
6	IV / RO 60 MC	17.33	50
8	IV / RO 80 MC	18.10	50
10	IV / RO 100 MC	18.87	50
11	IV / RO 110 MC	19.11	50
12.5	IV / RO 125 MC	19.62	50

Schlüter®-RONDEC-MC/ID

90° internal corner,
die cast metal appearance

H (mm)	Art. No.	€ / U.	P (Unit)
6	ID / RO 60 MC	3.76	50
8	ID / RO 80 MC	3.76	50
10	ID / RO 100 MC	3.76	50
11	ID / RO 110 MC	3.76	50
12.5	ID / RO 125 MC	3.76	50



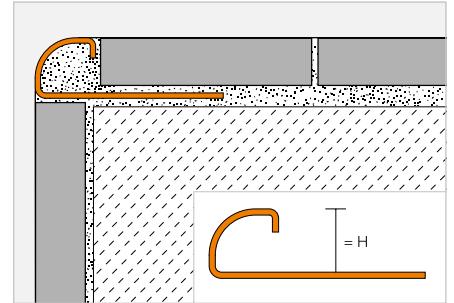


Finishing profile

Schlüter®-RONDEC-E



Schlüter-RODEC-E is a symmetrically rounded profile for external wall corners or the edges of coverings, made of stainless steel with different finishes.
(Product data sheet 2.1)



Schlüter®-RONDEC-E



stainless steel V2A

H (mm)	L = 2.50 m Art. No.	€ / m	KV (Unit)
4.5	RO 45 E	14.27	120
6	RO 60 E	14.57	120
7	RO 70 E	15.26	120
8	RO 80 E	15.71	120
9	RO 90 E	16.36	120
10	RO 100 E	16.81	120
11	RO 110 E	17.47	120
12.5	RO 125 E	17.84	120
15	RO 150 E	19.62	120
L = 1.00 m			
6	RO 60 E/100	15.18	120
8	RO 80 E/100	16.31	120
10	RO 100 E/100	17.45	120
12.5	RO 125 E/100	18.48	120

Schlüter®-RONDEC-EB



brushed stainless steel V2A

H (mm)	L = 2.50 m Art. No.	€ / m	KV (Unit)
—	—	—	—
6	RO 60 EB	19.13	120
7	RO 70 EB	19.97	120
8	RO 80 EB	20.60	120
9	RO 90 EB	21.36	120
10	RO 100 EB	22.09	120
11	RO 110 EB	22.72	120
12.5	RO 125 EB	23.45	120
15	RO 150 EB	25.79	120

Schlüter®-RONDEC-EP



polished stainless steel V2A

H (mm)	L = 2.50 m Art. No.	€ / m	KV (Unit)
—	—	—	—
6	RO 60 EP	28.04	120
—	—	—	—
8	RO 80 EP	29.13	120
—	—	—	—
10	RO 100 EP	30.31	120
—	—	—	—
12.5	RO 125 EP	31.47	120
15	RO 150 EP	32.92	120

Note:

For technical reasons, products that are only one metre in length are not available with radius perforations.
For 3 metre length, add "/300" to art. no. (e.g. RO 60 E/300).

Schlüter®-RONDEC-E V4A



stainless steel V4A

H (mm)	L = 2.50 m Art. No.	€ / m	KV (Unit)
6	RO 60 E/V4A	16.45	120
8	RO 80 E/V4A	17.69	120
10	RO 100 E/V4A	18.94	120
12.5	RO 125 E/V4A	20.21	120

Corner | end cap | connector

Schlüter®-RONDEC-E/EV

90° external corner,
solid stainless steel V2A

H (mm)	Art. No.	€ / U.	P (Unit)
4.5	EV / RO 45 E	24.27	50
6	EV / RO 60 E	24.27	50
7	EV / RO 70 E	24.92	50
8	EV / RO 80 E	24.92	50
9	EV / RO 90 E	26.93	50
10	EV / RO 100 E	26.93	50
11	EV / RO 110 E	27.53	50
12.5	EV / RO 125 E	27.53	50
15	EV / RO 150 E	34.49	50

Schlüter®-RONDEC-E/ED

90° external corner,
die cast metal appearance

H (mm)	Art. No.	€ / U.	P (Unit)
4.5	ED / RO 45 E	3.82	50
6	ED / RO 60 E	3.82	50
7	ED / RO 70 E	3.82	50
8	ED / RO 80 E	3.82	50
9	ED / RO 90 E	3.82	50
10	ED / RO 100 E	3.82	50
11	ED / RO 110 E	3.82	50
12.5	ED / RO 125 E	3.82	50
15	ED / RO 150 E	3.82	50

Schlüter®-RONDEC-E/ID

90° internal corner,
die cast metal appearance

H (mm)	Art. No.	€ / U.	P (Unit)
4.5	ID / RO 45 E	3.82	50
6	ID / RO 60 E	3.82	50
7	ID / RO 70 E	3.82	50
8	ID / RO 80 E	3.82	50
9	ID / RO 90 E	3.82	50
10	ID / RO 100 E	3.82	50
11	ID / RO 110 E	3.82	50
12.5	ID / RO 125 E	3.82	50
15	ID / RO 150 E	3.82	50

Schlüter®-RONDEC-EB/EV

 90° external corner,
brushed solid stainless steel V2A

H (mm)	Art. No.	€ / U.	P (Unit)
6	EV / RO 60 EB	28.23	50
7	EV / RO 70 EB	28.67	50
8	EV / RO 80 EB	28.94	50
9	EV / RO 90 EB	30.73	50
10	EV / RO 100 EB	31.26	50
11	EV / RO 110 EB	31.46	50
12.5	EV / RO 125 EB	31.94	50
15	EV / RO 150 EB	40.12	50

Schlüter®-RONDEC-EB/ED

 90° external corner,
brushed die cast metal appearance

H (mm)	Art. No.	€ / U.	P (Unit)
6	ED / RO 60 EB	6.02	50
7	ED / RO 70 EB	6.02	50
8	ED / RO 80 EB	6.02	50
9	ED / RO 90 EB	6.02	50
10	ED / RO 100 EB	6.02	50
11	ED / RO 110 EB	6.02	50
12.5	ED / RO 125 EB	6.02	50
15	ED / RO 150 EB	6.02	50

Schlüter®-RONDEC-EB/ID

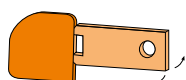
 90° internal corner,
brushed die cast metal appearance

H (mm)	Art. No.	€ / U.	P (Unit)
6	ID / RO 60 EB	6.02	50
7	ID / RO 70 EB	6.02	50
8	ID / RO 80 EB	6.02	50
9	ID / RO 90 EB	6.02	50
10	ID / RO 100 EB	6.02	50
11	ID / RO 110 EB	6.02	50
12.5	ID / RO 125 EB	6.02	50
15	ID / RO 150 EB	6.02	50

Schlüter®-RONDEC-EB/EK*

 end cap,
brushed stainless steel V2A

H (mm)	Art. No.	€ / U.	P (Unit)
4.5	EK / RO 45 EB	2.41	50
6	EK / RO 60 EB	2.41	50
7	EK / RO 70 EB	2.41	50
8	EK / RO 80 EB	2.41	50
9	EK / RO 90 EB	2.41	50
10	EK / RO 100 EB	2.41	50
11	EK / RO 110 EB	2.41	50
12.5	EK / RO 125 EB	2.41	50
15	EK / RO 150 EB	2.41	50



Schlüter-RONDEC-EB/EK

* Suitable for Schlüter-RONDEC-E and -EB profiles.

Schlüter®-RONDEC-EP/EV

 90° external corner,
polished solid stainless steel V2A

H (mm)	Art. No.	€ / U.	P (Unit)
6	EV / RO 60 EP	28.59	50
8	EV / RO 80 EP	29.32	50
10	EV / RO 100 EP	31.65	50
12.5	EV / RO 125 EP	32.35	50
15	EV / RO 150 EP	40.61	50

Schlüter®-RONDEC-EP/ED

 90° external corner,
polished die cast metal appearance

H (mm)	Art. No.	€ / U.	P (Unit)
6	ED / RO 60 EP	3.87	50
8	ED / RO 80 EP	3.87	50
10	ED / RO 100 EP	3.87	50
12.5	ED / RO 125 EP	3.87	50
15	ED / RO 150 EP	3.87	50

Schlüter®-RONDEC-EP/ID

 90° internal corner,
polished die cast metal appearance

H (mm)	Art. No.	€ / U.	P (Unit)
6	ID / RO 60 EP	3.87	50
8	ID / RO 80 EP	3.87	50
10	ID / RO 100 EP	3.87	50
12.5	ID / RO 125 EP	3.87	50
15	ID / RO 150 EP	3.87	50

Schlüter®-RONDEC-E V4A/EV

 90° external corner,
solid stainless steel V4A

H (mm)	Art. No.	€ / U.	P (Unit)
6	EV / RO 60 E/V4A	27.00	50
8	EV / RO 80 E/V4A	27.66	50
10	EV / RO 100 E/V4A	29.91	50
12.5	EV / RO 125 E/V4A	30.58	50


Schlüter®-RONDEC-E/V

connector for stainless steel profiles

H (mm)	Art. No.	€ / U.	P (Unit)
6	V / RO 60 E	2.38	50
8	V / RO 80 E	2.38	50
10	V / RO 100 E	2.38	50
11	V / RO 110 E	2.38	50
12.5	V / RO 125 E	2.38	50



Suitable for Schlüter-RONDEC and -QUADEC profiles.

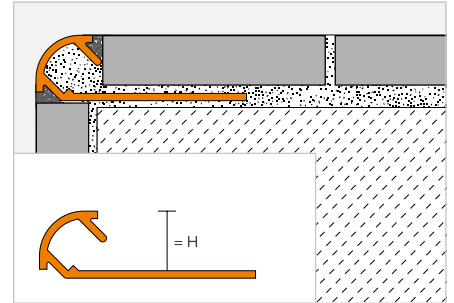


Finishing profile

Schlüter®-RONDEC-TS



Schlüter-**RONDEC-TS** is a symmetrically rounded profile with integrated joint spacer for external wall corners and the edges of tile coverings, made of aluminium with a specially textured coating. The joint spacer creates a uniform grout joint with the tile.
(Product data sheet 2.1)



Schlüter®-RONDEC-TSI

textured natural ivory

H (mm)	L = 2.50 m Art. No.	€ / m	KV (Unit)
6	RO 60 TSI	15.16	120
8	RO 80 TSI	16.14	120
10	RO 100 TSI	17.15	120
11	RO 110 TSI	17.80	120
12.5	RO 125 TSI	18.80	120

Schlüter®-RONDEC-TSC

textured natural cream

H (mm)	L = 2.50 m Art. No.	€ / m	KV (Unit)
6	RO 60 TSC	15.16	120
8	RO 80 TSC	16.14	120
10	RO 100 TSC	17.15	120
11	RO 110 TSC	17.80	120
12.5	RO 125 TSC	18.80	120

Schlüter®-RONDEC-TSBG

textured natural beige grey

H (mm)	L = 2.50 m Art. No.	€ / m	KV (Unit)
6	RO 60 TSBG	15.16	120
8	RO 80 TSBG	16.14	120
10	RO 100 TSBG	17.15	120
11	RO 110 TSBG	17.80	120
12.5	RO 125 TSBG	18.80	120

Schlüter®-RONDEC-TSB

textured natural beige

H (mm)	L = 2.50 m Art. No.	€ / m	KV (Unit)
6	RO 60 TSB	15.16	120
8	RO 80 TSB	16.14	120
10	RO 100 TSB	17.15	120
11	RO 110 TSB	17.80	120
12.5	RO 125 TSB	18.80	120

Schlüter®-RONDEC-TSSG

textured natural stone grey

H (mm)	L = 2.50 m Art. No.	€ / m	KV (Unit)
6	RO 60 TSSG	15.16	120
8	RO 80 TSSG	16.14	120
10	RO 100 TSSG	17.15	120
11	RO 110 TSSG	17.80	120
12.5	RO 125 TSSG	18.80	120

Schlüter®-RONDEC-TSG

textured natural grey

H (mm)	L = 2.50 m Art. No.	€ / m	KV (Unit)
6	RO 60 TSG	15.16	120
8	RO 80 TSG	16.14	120
10	RO 100 TSG	17.15	120
11	RO 110 TSG	17.80	120
12.5	RO 125 TSG	18.80	120

Schlüter®-RONDEC-TSOB

textured natural bronze

H (mm)	L = 2.50 m Art. No.	€ / m	KV (Unit)
6	RO 60 TSOB	15.16	120
8	RO 80 TSOB	16.14	120
10	RO 100 TSOB	17.15	120
11	RO 110 TSOB	17.80	120
12.5	RO 125 TSOB	18.80	120

Schlüter®-RONDEC-TSLA

textured natural light anthracite

H (mm)	L = 2.50 m Art. No.	€ / m	KV (Unit)
6	RO 60 TSLA	15.16	120
8	RO 80 TSLA	16.14	120
10	RO 100 TSLA	17.15	120
11	RO 110 TSLA	17.80	120
12.5	RO 125 TSLA	18.80	120

Schlüter®-RONDEC-TSDA

textured natural dark anthracite

H (mm)	L = 2.50 m Art. No.	€ / m	KV (Unit)
6	RO 60 TSDA	15.16	120
8	RO 80 TSDA	16.14	120
10	RO 100 TSDA	17.15	120
11	RO 110 TSDA	17.80	120
12.5	RO 125 TSDA	18.80	120

Schlüter®-RONDEC-TSR

textured natural rustic brown

H (mm)	L = 2.50 m Art. No.	€ / m	KV (Unit)
6	RO 60 TSR	15.16	120
8	RO 80 TSR	16.14	120
10	RO 100 TSR	17.15	120
11	RO 110 TSR	17.80	120
12.5	RO 125 TSR	18.80	120

Schlüter®-RONDEC-MBW

colour coated aluminium, matte brilliant white

H (mm)	L = 2.50 m Art. No.	€ / m	KV (Unit)
6	RO 60 MBW	7.93	120
8	RO 80 MBW	8.83	120
10	RO 100 MBW	9.70	120
11	RO 110 MBW	10.94	120
12.5	RO 125 MBW	12.10	120

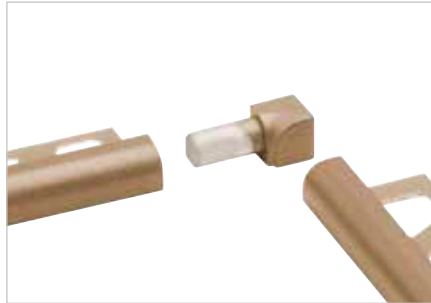
Schlüter®-RONDEC-MGS

colour coated aluminium, matte graphite black

H (mm)	L = 2.50 m Art. No.	€ / m	KV (Unit)
6	RO 60 MGS	7.93	120
8	RO 80 MGS	8.83	120
10	RO 100 MGS	9.70	120
11	RO 110 MGS	10.94	120
12.5	RO 125 MGS	12.10	120

For 3 metre length, add "/300" to art. no. (e.g. RO 60 TSI/300).

Corner



Schlüter®-RONDEC-TS/EV

90° external corner
aluminium, textured natural

H (mm)	Art. No.	€ / U.	P (Unit)
6	EV / RO 60 ...*	12.52	50
8	EV / RO 80 ...*	12.52	50
10	EV / RO 100 ...*	12.52	50
11	EV / RO 110 ...*	12.52	50
12.5	EV / RO 125 ...*	12.52	50

Schlüter®-RONDEC-TS/IV

90° internal corner
aluminium, textured natural

H (mm)	Art. No.	€ / U.	P (Unit)
6	IV / RO 60 ...*	12.52	50
8	IV / RO 80 ...*	12.52	50
10	IV / RO 100 ...*	12.52	50
11	IV / RO 110 ...*	12.52	50
12.5	IV / RO 125 ...*	12.52	50

Schlüter®-RONDEC-AC/ED

90° external corner for RONDEC-MBW/-MGS,
die cast metal appearance

H (mm)	Art. No.	€ / U.	P (Unit)
6	ED / RO 60 ...**	3.76	50
8	ED / RO 80 ...**	3.76	50
10	ED / RO 100 ...**	3.76	50
11	ED / RO 110 ...**	3.76	50
12.5	ED / RO 125 ...**	3.76	50

Schlüter®-RONDEC-AC/ID

90° internal corner for RONDEC-MBW/-MGS,
die cast metal appearance

H (mm)	Art. No.	€ / U.	P (Unit)
6	ID / RO 60 ...**	3.76	50
8	ID / RO 80 ...**	3.76	50
10	ID / RO 100 ...**	3.76	50
11	ID / RO 110 ...**	3.76	50
12.5	ID / RO 125 ...**	3.76	50



To complete the art. no., add the finish/colour (e.g. ID / RO 60 MGS)

* Finishes/colours: TSB - TSBG - TSC - TSDA - TSG - TSI - TSLA - TSOB - TSR - TSSG

** Finishes/colours: MBW - MGS

Available finishes | colours



For an overview of finishes and colours, please see page 342.

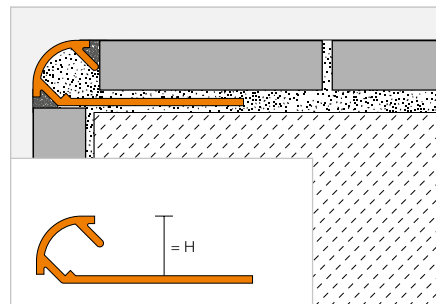


Finishing profile

Schlüter®-RONDEC-A



Schlüter-ROFLEX-RONDEC-A is a symmetrically rounded profile with an integrated joint spacer for external wall corners or edges of coverings, made of aluminium with different anodised finishes. The joint spacer creates a uniform grout joint with the tile.
(Product data sheet 2.1)



Schlüter®-RONDEC-AE



anodised aluminium

H (mm)		L = 2.50 m Art. No.	€ / m	KV (Unit)
6	⊗	RO 60 AE	6.64	120
8	⊗	RO 80 AE	7.20	120
9		RO 90 AE	7.51	120
10	⊗	RO 100 AE	7.85	120
11	⊗	RO 110 AE	8.09	120
12.5	⊗	RO 125 AE	8.38	120
15		RO 150 AE	8.91	120

Schlüter®-RONDEC-ACG



polished chrome anodised aluminium

H (mm)		L = 2.50 m Art. No.	€ / m	KV (Unit)
6	⊗	RO 60 ACG	15.06	120
8	⊗	RO 80 ACG	15.81	120
9		RO 90 ACG	16.27	120
10	⊗	RO 100 ACG	16.76	120
11	⊗	RO 110 ACG	17.72	120
12.5	⊗	RO 125 ACG	18.68	120
15		RO 150 ACG	19.45	120

Schlüter®-RONDEC-ACGB



brushed chrome anodised aluminium

H (mm)		L = 2.50 m Art. No.	€ / m	KV (Unit)
6		RO 60 ACGB	15.28	120
8		RO 80 ACGB	17.15	120
9		RO 90 ACGB	17.60	120
10		RO 100 ACGB	18.04	120
11		RO 110 ACGB	18.44	120
12.5		RO 125 ACGB	18.90	120
15		RO 150 ACGB	19.74	120

Schlüter®-RONDEC-AM



matte brass anodised aluminium

H (mm)		L = 2.50 m Art. No.	€ / m	KV (Unit)
6		RO 60 AM	6.98	120
8		RO 80 AM	7.63	120
10		RO 100 AM	8.24	120
12.5		RO 125 AM	9.12	120

Schlüter®-RONDEC-AMG



polished brass anodised aluminium

H (mm)		L = 2.50 m Art. No.	€ / m	KV (Unit)
6		RO 60 AMG	15.06	120
8		RO 80 AMG	15.81	120
10		RO 100 AMG	16.76	120
12.5		RO 125 AMG	18.68	120

Schlüter®-RONDEC-AMGB



brushed brass anodised aluminium

H (mm)		L = 2.50 m Art. No.	€ / m	KV (Unit)
6		RO 60 AMGB	15.28	120
8		RO 80 AMGB	17.15	120
10		RO 100 AMGB	18.04	120
12.5		RO 125 AMGB	18.90	120

Schlüter®-RONDEC-AK



matte copper/bronze anodised aluminium

H (mm)		L = 2.50 m Art. No.	€ / m	KV (Unit)
6		RO 60 AK	6.98	120
8		RO 80 AK	7.63	120
10		RO 100 AK	8.24	120
12.5		RO 125 AK	9.12	120

Schlüter®-RONDEC-AKG



polished copper/bronze anodised aluminium

H (mm)		L = 2.50 m Art. No.	€ / m	KV (Unit)
6		RO 60 AKG	15.06	120
8		RO 80 AKG	15.81	120
10		RO 100 AKG	16.76	120
12.5		RO 125 AKG	18.68	120

Schlüter®-RONDEC-AKGB



brushed copper/bronze anodised aluminium

H (mm)		L = 2.50 m Art. No.	€ / m	KV (Unit)
6		RO 60 AKGB	15.28	120
8		RO 80 AKGB	17.15	120
10		RO 100 AKGB	18.04	120
12.5		RO 125 AKGB	18.90	120

Schlüter®-RONDEC-AT



matte titanium anodised aluminium

H (mm)		L = 2.50 m Art. No.	€ / m	KV (Unit)
6		RO 60 AT	6.98	120
8		RO 80 AT	7.63	120
10		RO 100 AT	8.24	120
12.5		RO 125 AT	9.12	120

Schlüter®-RONDEC-ATG



polished titanium anodised aluminium

H (mm)		L = 2.50 m Art. No.	€ / m	KV (Unit)
6		RO 60 ATG	15.06	120
8		RO 80 ATG	15.81	120
10		RO 100 ATG	16.76	120
12.5		RO 125 ATG	18.68	120

Schlüter®-RONDEC-ATGB



brushed titanium anodised aluminium

H (mm)		L = 2.50 m Art. No.	€ / m	KV (Unit)
6		RO 60 ATGB	15.28	120
8		RO 80 ATGB	17.15	120
10		RO 100 ATGB	18.04	120
12.5		RO 125 ATGB	18.90	120

Note:

The Schlüter-ROFLEX-RONDEC-A profile in a height of 15 mm is not available with radius perforation. For 3 metre length, add "/300" to art. no. (e.g. RO 60 AE/300).

Schlüter®-RONDEC-AGSB


brushed graphite black anodised aluminium

H (mm)	L = 2.50 m Art. No.	€ / m	KV (Unit)
6	RO 60 AGSB	15.28	120
8	RO 80 AGSB	17.15	120
10	RO 100 AGSB	18.04	120
12.5	RO 125 AGSB	18.90	120


Corner | connector
Schlüter®-RONDEC-A/EV

 90° external corner,
solid aluminium

H (mm)	Art. No.	€ / U.	P (Unit)
6	EV / RO 60 ...*	8.69	50
8	EV / RO 80 ...*	9.07	50
9	EV / RO 90 ...**	9.26	50
10	EV / RO 100 ...*	9.42	50
11	EV / RO 110 ...**	9.57	50
12.5	EV / RO 125 ...*	9.82	50
15	EV / RO 150 ...**	10.15	50

Schlüter®-RONDEC-A/ED

 90° external corner,
die cast metal appearance

H (mm)	Art. No.	€ / U.	P (Unit)
6	ED / RO 60 ...***	3.76	50
8	ED / RO 80 ...***	3.76	50
9	ED / RO 90 ...**	3.76	50
10	ED / RO 100 ...***	3.76	50
11	ED / RO 110 ...**	3.76	50
12.5	ED / RO 125 ...***	3.76	50
15	ED / RO 150 ...**	3.76	50


Schlüter®-RONDEC-A/IV

 90° internal corner,
solid aluminium

H (mm)	Art. No.	€ / U.	P (Unit)
6	IV / RO 60 ...*	8.69	50
8	IV / RO 80 ...*	9.07	50
9	IV / RO 90 ...**	9.26	50
10	IV / RO 100 ...*	9.42	50
11	IV / RO 110 ...**	9.57	50
12.5	IV / RO 125 ...*	9.82	50
15	IV / RO 150 ...**	10.15	50

Schlüter®-RONDEC-A/ID

 90° internal corner,
die cast metal appearance

H (mm)	Art. No.	€ / U.	P (Unit)
6	ID / RO 60 ...**	3.76	50
8	ID / RO 80 ...**	3.76	50
9	ID / RO 90 ...**	3.76	50
10	ID / RO 100 ...**	3.76	50
11	ID / RO 110 ...**	3.76	50
12.5	ID / RO 125 ...**	3.76	50
15	ID / RO 150 ...**	3.76	50


Schlüter®-RONDEC-A/V

connector for aluminium profiles

H (mm)	Art. No.	€ / U.	P (Unit)
6	V / RO 60	1.27	50
8	V / RO 80	1.27	50
10	V / RO 100	1.27	50
11	V / RO 110	1.27	50
12.5	V / RO 125	1.27	50



Schlüter-RODEC-A/V – suitable for Schlüter-RODEC and -QUADEC profiles. Except H = 6 mm; RONDEC and QUADEC connector is available in that case.


To complete the art. no., add the finish (e.g. EV / RO 60 ACGB)

* Finishes: ACG - ACGB - AE - AGSB - AK - AKG - AKGB - AM - AMG - AMGB - AT - ATG - ATGB

** Finishes: ACG - ACGB - AE

*** Finishes: ACG - ACGB - AE - AT - ATG - ATGB

For an overview of finishes and colours, please see page 342.



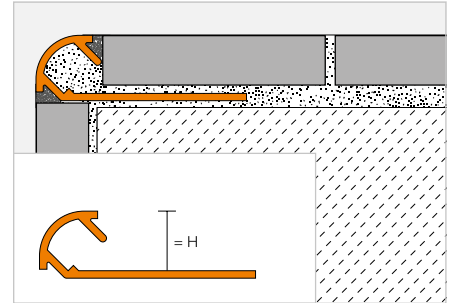
Finishing profile

Schlüter®-RONDEC-AC



Schlüter-RODEC-AC is a symmetrically rounded profile with integrated joint spacer for external wall corners and the edges of coverings, made of colour coated aluminium. The joint spacer creates a uniform grout joint with the tile.

(Product data sheet 2.1)



Schlüter®-RONDEC-AC

colour coated aluminium

H (mm)		L = 2.50 m Art. No.	€ / m	KV (Unit)
6	Ⓢ	RO 60 ...*	7.93	120
8	Ⓢ	RO 80 ...*	8.83	120
10	Ⓢ	RO 100 ...*	9.70	120
11	Ⓢ	RO 110 ...**	10.94	120
12.5	Ⓢ	RO 125 ...*	12.10	120

MyDesign by Schlüter-Systems
Custom prints or coating in 190 RAL Classic colours available. More details from page 16.

For 3 metre length, add "/300" to art. no. (e.g. RO 60 BW/300).

Corner | connector

Schlüter®-RONDEC-AC/ED

90° external corner, die cast metal appearance

H (mm)	Art. No.	€ / U.	P (Unit)
6	ED / RO 60 ...*	3.76	50
8	ED / RO 80 ...*	3.76	50
10	ED / RO 100 ...*	3.76	50
11	ED / RO 110 ...**	3.76	50
12.5	ED / RO 125 ...*	3.76	50

Schlüter®-RONDEC-AC/ID

90° internal corner, die cast metal appearance

H (mm)	Art. No.	€ / U.	P (Unit)
6	ID / RO 60 ...*	3.76	50
8	ID / RO 80 ...*	3.76	50
10	ID / RO 100 ...*	3.76	50
11	ID / RO 110 ...**	3.76	50
12.5	ID / RO 125 ...*	3.76	50



Schlüter®-RONDEC-A/V

connector for aluminium profiles

H (mm)	Art. No.	€ / U.	P (Unit)
6	V / RO 60	1.27	50
8	V / RO 80	1.27	50
10	V / RO 100	1.27	50
11	V / RO 110	1.27	50
12.5	V / RO 125	1.27	50



Schlüter-RODEC-A/V – suitable for Schlüter-RODEC and -QUADEC profiles. Except H = 6 mm; RONDEC and QUADEC connector is available in that case.

To complete the art. no., add the colour (e.g. ID / RO 60 GM)



* Colours L = 2.50 m: BH - BW - G - GM - GS - HB - HG - MBW - MGS - PG - W

** Colours L = 2.50 m: BH - BW - MBW - MGS - PG - W

Colours L = 3.00 m: BW - MBW - MGS - PG - W

For an overview of finishes and colours, please see page 342.

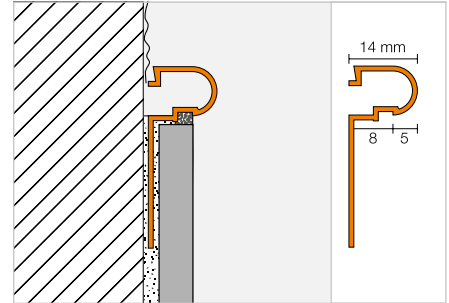


Finishing profile

Schlüter®-RONDEC-DB



Schlüter-RODEC-DB is a decorative profile with a prominently rounded contour for wall and skirting edges.
(Product data sheet 2.5)



Schlüter®-RONDEC-DB-A

aluminium

L = 2.50 m Art. No.	€ / m	KV (Unit)
DB 14 A	8.83	120

Schlüter®-RONDEC-DB-AE

anodised aluminium

L = 2.50 m Art. No.	€ / m	KV (Unit)
DB 14 AE	11.87	120

Schlüter®-RONDEC-DB-AM

matte brass anodised aluminium

L = 2.50 m Art. No.	€ / m	KV (Unit)
DB 14 AM	11.87	120

Schlüter®-RONDEC-DB-AC

colour coated aluminium

L = 2.50 m Art. No.	€ / m	KV (Unit)
DB 14 ...*	13.74	120

MyDesign by Schlüter-Systems
Custom coating in 190 RAL Classic colours available. More details from page 16.

To complete the art. no., add the colour (e.g. DB 14 MBW)



* Colours: BW - MBW - MGS

For an overview of finishes and colours, please see page 342.

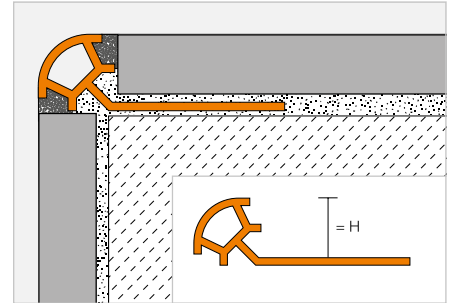


Finishing profile

Schlüter®-RONDEC-PRO



Schlüter-RODEC-PRO is a decorative profile made of coloured PVC for creating symmetrically rounded external corners in tile coverings and finished edges of tiled skirtings and coverings, which protects the edges of tiles from mechanical damage. The joint spacer creates a uniform grout joint with the tile.
(Product data sheet 2.1)



Schlüter®-RONDEC-PRO

coloured PVC

H (mm)		L = 2.50 m Art. No.	€ / m	KV (Unit)
6	⊗	PRO 60 ...*	3.13	240
8	⊗	PRO 80 ...*	3.28	240
10	⊗	PRO 100 ...*	3.54	240
11	⊗	PRO 110 ...**	3.67	240
12.5	⊗	PRO 125 ...**	3.77	240

For 3 metre length, add "/300" to art. no. (e.g. PRO 60 BW/300).

Corner



Schlüter®-RONDEC-PRO/E

90° external corner

H (mm)	Art. No.	€ / U.	P (Unit)
6	E / PRO 60 ...*	1.99	50
8	E / PRO 80 ...*	1.99	50
10	E / PRO 100 ...*	1.99	50
11	E / PRO 110 ...**	1.99	50
12.5	E / PRO 125 ...**	1.99	50

Schlüter®-RONDEC-PRO/I

90° internal corner

H (mm)	Art. No.	€ / U.	P (Unit)
6	I / PRO 60 ...*	1.99	50
8	I / PRO 80 ...*	1.99	50
10	I / PRO 100 ...*	1.99	50
11	I / PRO 110 ...**	1.99	50
12.5	I / PRO 125 ...**	1.99	50

To complete the art. no., add the colour (e.g. I / PRO 60 CA)



* Colours L = 2.50 m: AP - BH - BW - CA - G - GS - HB - HG - NB - PG - SP - W

** Colours L = 2.50 m: BW - GS - PG - SP - W

Colours L = 3.00 m: BW - PG - W

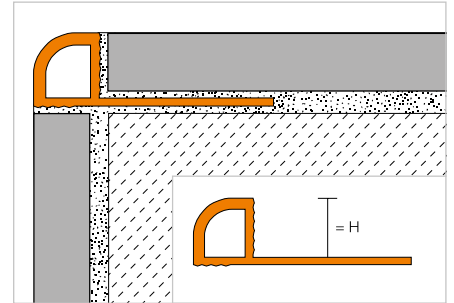
For an overview of finishes and colours, please see page 342.

Finishing profile

Schlüter®-RONDEC-PRG



Schlüter-RONDEC-PRG is a decorative profile made of coloured PVC for creating symmetrically rounded external corners in tile coverings and finished edges of tiled skirtings and coverings, which protects the edges of tiles from mechanical damage.
(Product data sheet 2.1)



Schlüter®-RONDEC-PRG

coloured PVC

H (mm)		L = 2.50 m Art. No.	€ / m	KV (Unit)
6	⊕	PRG 60 ...*	3.13	240
8	⊕	PRG 80 ...*	3.28	240
10	⊕	PRG 100 ...*	3.54	120
12.5	⊕	PRG 125 ...*	3.77	120

For 3 metre length, add "/300" to art. no. (e.g. PRG 60 BW/300).

Corner



Schlüter®-RONDEC-PRG/E

90° external corner

H (mm)	Art. No.	€ / U.	P (Unit)
6	E / PRG 60 ...*	1.99	50
8	E / PRG 80 ...*	1.99	50
10	E / PRG 100 ...*	1.99	50
12.5	E / PRG 125 ...*	1.99	50

Schlüter®-RONDEC-PRG/I

90° internal corner

H (mm)	Art. No.	€ / U.	P (Unit)
6	I / PRG 60 ...*	1.99	50
8	I / PRG 80 ...*	1.99	50
10	I / PRG 100 ...*	1.99	50
12.5	I / PRG 125 ...*	1.99	50

To complete the art. no., add the colour (e.g. I / PRG 60 BW)



* Colours: BW - PG - W

For an overview of finishes and colours, please see page 342.



Schlüter®-JOLLY

A popular classic – remade for you

JOLLY wall finishing profiles are among the most popular products in our range. We have now redesigned JOLLY for faster installation and even more appealing outcomes. Result:

- ✓ Geometry with 90 degree angle
- ✓ Corners with intelligent plug-in connectors
- ✓ No more mitre cuts needed
- ✓ Corners made of solid materials
- ✓ Corners fit on the right and left side

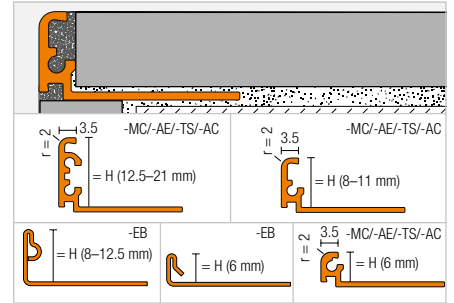


Finishing profile

Schlüter®-JOLLY



Schlüter-JOLLY is a decorative metal profile to finish and protect tiled external wall corners and other tiled edges, e.g. tiled skirting. The 90 degree angled finishing leg safeguards tiles against mechanical damage. The joint spacers on both sides create a uniform grout joint with the tile. The geometric profile undercutting offers additional bonding surface for the grout. The innovative plug-in connection of the corner pieces results in neat, visually appealing corner connections.
(Product data sheet 2.3)



Schlüter®-JOLLY-MC

chrome plated brass

H (mm)	L = 2.50 m Art. No.	€ / m	KV (Unit)
6	J 60 MC	29.15	120
8	J 80 MC	29.76	120
10	J 100 MC	30.35	120
11	J 110 MC	30.94	120
12.5	J 125 MC	31.54	120

Schlüter®-JOLLY-EB

brushed stainless steel V2A

H (mm)	L = 2.50 m Art. No.	€ / m	KV (Unit)
6	J 60 EB	17.39	120
8	J 80 EB	17.74	120
10	J 100 EB	18.08	120
11	J 110 EB	18.43	120
12.5	J 125 EB	18.79	120

Schlüter®-JOLLY-AE

anodised aluminium

H (mm)	L = 2.50 m Art. No.	€ / m	KV (Unit)
6	J 60 AE	5.65	120
8	J 80 AE	5.89	120
10	J 100 AE	6.25	120
11	J 110 AE	6.55	120
12.5	J 125 AE	6.96	120

For 3 metre length, add "/300" to art. no. (e.g. J 60 AE/300).

Corner | connector

Schlüter®-JOLLY-MC/EV

90° external corner, solid chrome plated brass

H (mm)	Art. No.	€ / U.	P (Unit)
6	EV / J 60 MC	18.45	50
8	EV / J 80 MC	18.45	50
10	EV / J 100 MC	18.45	50
11	EV / J 110 MC	18.45	50
12.5	EV / J 125 MC	18.45	50

Schlüter®-JOLLY-EB/EV

90° external corner, brushed solid stainless steel V2A

H (mm)	Art. No.	€ / U.	P (Unit)
6	EV / J 60 EB	24.92	50
8	EV / J 80 EB	24.92	50
10	EV / J 100 EB	24.92	50
11	EV / J 110 EB	24.92	50
12.5	EV / J 125 EB	24.92	50

Schlüter®-JOLLY-AE/EV

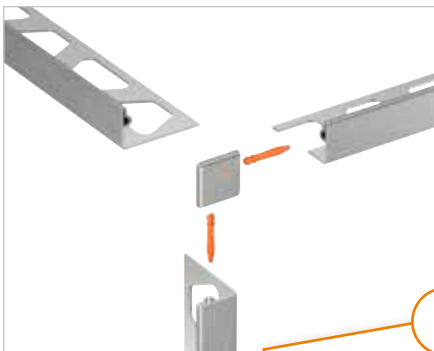
90° external corner, anodised aluminium

H (mm)	Art. No.	€ / U.	P (Unit)
6	EV / J 60 AE	14.87	50
8	EV / J 80 AE	14.87	50
10	EV / J 100 AE	14.87	50
11	EV / J 110 AE	14.87	50
12.5	EV / J 125 AE	14.87	50

Schlüter®-JOLLY/V

connector for JOLLY profiles (4 units)

Art. No.	€ / Package	P (Package)
V / JPP 4	3.19	50



i The scope of supply for corner pieces includes the connection pins.

For an overview of finishes and colours, please see page 342.



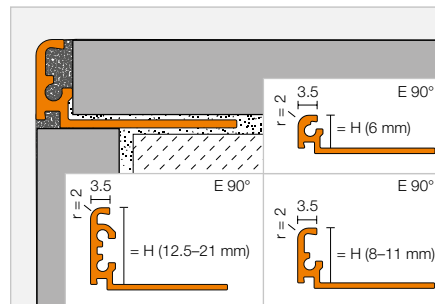
Finishing profile

Schlüter®-JOLLY-TS



Schlüter-JOLLY-TS is a decorative profile to finish and protect tiled external wall corners and other tiled edges, e.g. in tiled skirtings. The 90 degree angled finishing leg safeguards tiles against mechanical damage. The profiles are made from powder-coated, textured aluminium. The joint spacers on both sides create a uniform grout joint with the tile. The geometric profile undercutting offers additional bonding surface for the grout. The innovative plug-in connection of the corner pieces results in neat, visually appealing corner connections.

(Product data sheet 2.3)



Schlüter®-JOLLY-TSI



textured natural ivory

H (mm)		L = 2.50 m Art. No.	€ / m	KV (Unit)
6	⊗	J 60 TSI	13.39	120
8	⊗	J 80 TSI	14.28	120
10	⊗	J 100 TSI	14.58	120
11	⊗	J 110 TSI	14.87	120
12.5	⊗	J 125 TSI	15.47	120
14		J 140 TSI	16.06	120
16		J 160 TSI	16.66	120
21		J 210 TSI	17.25	120

Schlüter®-JOLLY-TSC



textured natural cream

H (mm)		L = 2.50 m Art. No.	€ / m	KV (Unit)
6	⊗	J 60 TSC	13.39	120
8	⊗	J 80 TSC	14.28	120
10	⊗	J 100 TSC	14.58	120
11	⊗	J 110 TSC	14.87	120
12.5	⊗	J 125 TSC	15.47	120

Schlüter®-JOLLY-TSBG



textured natural beige grey

H (mm)		L = 2.50 m Art. No.	€ / m	KV (Unit)
6	⊗	J 60 TSBG	13.39	120
8	⊗	J 80 TSBG	14.28	120
10	⊗	J 100 TSBG	14.58	120
11	⊗	J 110 TSBG	14.87	120
12.5	⊗	J 125 TSBG	15.47	120

Schlüter®-JOLLY-TSB



textured natural beige

H (mm)		L = 2.50 m Art. No.	€ / m	KV (Unit)
6	⊗	J 60 TSB	13.39	120
8	⊗	J 80 TSB	14.28	120
10	⊗	J 100 TSB	14.58	120
11	⊗	J 110 TSB	14.87	120
12.5	⊗	J 125 TSB	15.47	120

Schlüter®-JOLLY-TSSG



textured natural stone grey

H (mm)		L = 2.50 m Art. No.	€ / m	KV (Unit)
6	⊗	J 60 TSSG	13.39	120
8	⊗	J 80 TSSG	14.28	120
10	⊗	J 100 TSSG	14.58	120
11	⊗	J 110 TSSG	14.87	120
12.5	⊗	J 125 TSSG	15.47	120
14		J 140 TSSG	16.06	120
16		J 160 TSSG	16.66	120
21		J 210 TSSG	17.25	120

Schlüter®-JOLLY-TSG



textured natural grey

H (mm)		L = 2.50 m Art. No.	€ / m	KV (Unit)
6	⊗	J 60 TSG	13.39	120
8	⊗	J 80 TSG	14.28	120
10	⊗	J 100 TSG	14.58	120
11	⊗	J 110 TSG	14.87	120
12.5	⊗	J 125 TSG	15.47	120

Schlüter®-JOLLY-TSOB



textured natural bronze

H (mm)		L = 2.50 m Art. No.	€ / m	KV (Unit)
6	⊗	J 60 TSOB	13.39	120
8	⊗	J 80 TSOB	14.28	120
10	⊗	J 100 TSOB	14.58	120
11	⊗	J 110 TSOB	14.87	120
12.5	⊗	J 125 TSOB	15.47	120
14		J 140 TSOB	16.06	120
16		J 160 TSOB	16.66	120
21		J 210 TSOB	17.25	120

Schlüter®-JOLLY-TSLA



textured natural light anthracite

H (mm)		L = 2.50 m Art. No.	€ / m	KV (Unit)
6	⊗	J 60 TSLA	13.39	120
8	⊗	J 80 TSLA	14.28	120
10	⊗	J 100 TSLA	14.58	120
11	⊗	J 110 TSLA	14.87	120
12.5	⊗	J 125 TSLA	15.47	120

Schlüter®-JOLLY-TSDA



textured natural dark anthracite

H (mm)		L = 2.50 m Art. No.	€ / m	KV (Unit)
6	⊗	J 60 TSDA	13.39	120
8	⊗	J 80 TSDA	14.28	120
10	⊗	J 100 TSDA	14.58	120
11	⊗	J 110 TSDA	14.87	120
12.5	⊗	J 125 TSDA	15.47	120

For 3 metre length, add "/300" to art. no. (e.g. J 60 TSI/300).

Schlüter®-JOLLY-TSR



textured natural rustic brown

H (mm)	L = 2.50 m Art. No.	€ / m	KV (Unit)
6	J 60 TSR	13.39	120
8	J 80 TSR	14.28	120
10	J 100 TSR	14.58	120
11	J 110 TSR	14.87	120
12.5	J 125 TSR	15.47	120

For 3 metre length, add "/300" to art. no.
(e.g. J 60 TSI/300).

Schlüter®-JOLLY-MBW



colour coated aluminium, matte brilliant white

H (mm)	L = 2.50 m Art. No.	€ / m	KV (Unit)
6	J 60 MBW	6.96	120
8	J 80 MBW	7.38	120
10	J 100 MBW	7.97	120
11	J 110 MBW	8.27	120
12.5	J 125 MBW	8.63	120
14	J 140 MBW	8.87	120
16	J 160 MBW	9.23	120
21	J 210 MBW	9.64	120

Schlüter®-JOLLY-MGS



colour coated aluminium, matte graphite black

H (mm)	L = 2.50 m Art. No.	€ / m	KV (Unit)
6	J 60 MGS	6.96	120
8	J 80 MGS	7.38	120
10	J 100 MGS	7.97	120
11	J 110 MGS	8.27	120
12.5	J 125 MGS	8.63	120
14	J 140 MGS	8.87	120
16	J 160 MGS	9.23	120
21	J 210 MGS	9.64	120

Corner | connector

Schlüter®-JOLLY-TS/EV

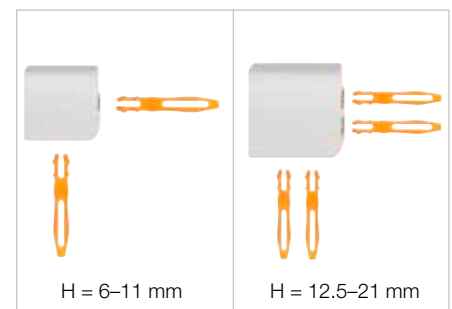
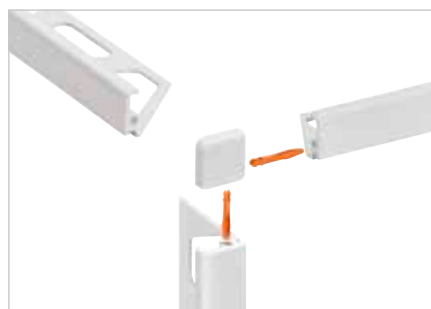
90° external corner
aluminium, textured natural

H (mm)	Art. No.	€ / U.	P (Unit)
6	EV / J 60 ...*	14.87	50
8	EV / J 80 ...*	14.87	50
10	EV / J 100 ...*	14.87	50
11	EV / J 110 ...*	14.87	50
12.5	EV / J 125 ...*	14.87	50
14	EV / J 140 ...**	17.25	50
16	EV / J 160 ...**	17.25	50
21	EV / J 210 ...**	17.25	50

Schlüter®-JOLLY-AC/EV

90° external corner for JOLLY-MBW/-MGS,
colour coated aluminium

H (mm)	Art. No.	€ / U.	P (Unit)
6	EV / J 60 ...***	14.28	50
8	EV / J 80 ...***	14.28	50
10	EV / J 100 ...***	14.28	50
11	EV / J 110 ...***	14.28	50
12.5	EV / J 125 ...***	14.28	50
14	EV / J 140 ...***	17.07	50
16	EV / J 160 ...***	17.07	50
21	EV / J 210 ...***	17.07	50



Schlüter®-JOLLY/V

connector for JOLLY profiles (4 units)

Art. No.	€ / Package	P (Package)
V / JPP 4	3.19	50



To complete the art. no., add the finish/colour (e.g. EV / J 60 MGS)

* Finishes/colours: TSB - TSBG - TSC - TSDA - TSG - TSI - TSLA - TSOB - TSR - TSSG

** Finishes/colours: TSI - TSOB - TSSG

*** Finishes/colours: MBW - MGS

Available finishes | colours



For an overview of finishes and colours, please see page 342.



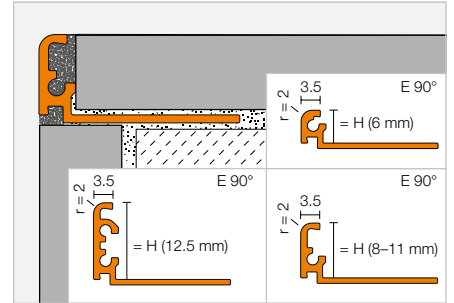
Finishing profile

Schlüter®-JOLLY-A



Schlüter-JOLLY-A is a decorative profile made of anodised aluminium to finish and protect tiled external wall corners and other tiled edges, e.g. tiled skirting. The 90 degree angled finishing leg safeguards tiles against mechanical damage. The joint spacers on both sides create a uniform grout joint with the tile. The geometric profile undercutting offers additional bonding surface for the grout. The innovative plug-in connection of the corner pieces results in neat, visually appealing corner connections.

(Product data sheet 2.3)



Schlüter®-JOLLY-ACG



polished chrome anodised aluminium

H (mm)	L = 2.50 m Art. No.	€ / m	KV (Unit)
6	J 60 ACG	13.39	120
8	J 80 ACG	14.28	120
10	J 100 ACG	14.58	120
11	J 110 ACG	14.87	120
12.5	J 125 ACG	15.17	120

Schlüter®-JOLLY-ACGB



brushed chrome anodised aluminium

H (mm)	L = 2.50 m Art. No.	€ / m	KV (Unit)
6	J 60 ACGB	13.39	120
8	J 80 ACGB	14.28	120
10	J 100 ACGB	14.58	120
11	J 110 ACGB	14.87	120
12.5	J 125 ACGB	15.17	120

Schlüter®-JOLLY-AM



matte brass anodised aluminium

H (mm)	L = 2.50 m Art. No.	€ / m	KV (Unit)
6	J 60 AM	11.25	120
8	J 80 AM	11.60	120
10	J 100 AM	11.90	120
11	J 110 AM	12.20	120
12.5	J 125 AM	12.49	120

Schlüter®-JOLLY-AMG



polished brass anodised aluminium

H (mm)	L = 2.50 m Art. No.	€ / m	KV (Unit)
6	J 60 AMG	13.39	120
8	J 80 AMG	14.28	120
10	J 100 AMG	14.58	120
11	J 110 AMG	14.87	120
12.5	J 125 AMG	15.17	120

Schlüter®-JOLLY-AMGB



brushed brass anodised aluminium

H (mm)	L = 2.50 m Art. No.	€ / m	KV (Unit)
6	J 60 AMGB	13.39	120
8	J 80 AMGB	14.28	120
10	J 100 AMGB	14.58	120
11	J 110 AMGB	14.87	120
12.5	J 125 AMGB	15.17	120

Schlüter®-JOLLY-AK



matte copper/bronze anodised aluminium

H (mm)	L = 2.50 m Art. No.	€ / m	KV (Unit)
6	J 60 AK	11.25	120
8	J 80 AK	11.60	120
10	J 100 AK	11.90	120
11	J 110 AK	12.20	120
12.5	J 125 AK	12.49	120

Schlüter®-JOLLY-AKG



polished copper/bronze anodised aluminium

H (mm)	L = 2.50 m Art. No.	€ / m	KV (Unit)
6	J 60 AKG	13.39	120
8	J 80 AKG	14.28	120
10	J 100 AKG	14.58	120
11	J 110 AKG	14.87	120
12.5	J 125 AKG	15.17	120

Schlüter®-JOLLY-AKGB



brushed copper/bronze anodised aluminium

H (mm)	L = 2.50 m Art. No.	€ / m	KV (Unit)
6	J 60 AKGB	13.39	120
8	J 80 AKGB	14.28	120
10	J 100 AKGB	14.58	120
11	J 110 AKGB	14.87	120
12.5	J 125 AKGB	15.17	120

Schlüter®-JOLLY-AT



matte titanium anodised aluminium

H (mm)	L = 2.50 m Art. No.	€ / m	KV (Unit)
6	J 60 AT	11.25	120
8	J 80 AT	11.60	120
10	J 100 AT	11.90	120
11	J 110 AT	12.20	120
12.5	J 125 AT	12.49	120

Schlüter®-JOLLY-ATG



polished titanium anodised aluminium

H (mm)	L = 2.50 m Art. No.	€ / m	KV (Unit)
6	J 60 ATG	13.39	120
8	J 80 ATG	14.28	120
10	J 100 ATG	14.58	120
11	J 110 ATG	14.87	120
12.5	J 125 ATG	15.17	120

Schlüter®-JOLLY-ATGB



brushed titanium anodised aluminium

H (mm)	L = 2.50 m Art. No.	€ / m	KV (Unit)
6	J 60 ATGB	13.39	120
8	J 80 ATGB	14.28	120
10	J 100 ATGB	14.58	120
11	J 110 ATGB	14.87	120
12.5	J 125 ATGB	15.17	120

For 3 metre length, add "/300" to art. no.
(e.g. J 60 ACG/300).

Schlüter®-JOLLY-ABGB



brushed antique bronze anodised aluminium

H (mm)	L = 2.50 m Art. No.	€ / m	KV (Unit)
6	J 60 ABGB	13.39	120
8	J 80 ABGB	14.28	120
10	J 100 ABGB	14.58	120
11	J 110 ABGB	14.87	120
12.5	J 125 ABGB	15.17	120

Schlüter®-JOLLY-AGRB



brushed chrome graphite anodised aluminium

H (mm)	L = 2.50 m Art. No.	€ / m	KV (Unit)
6	J 60 AGRB	13.39	120
8	J 80 AGRB	14.28	120
10	J 100 AGRB	14.58	120
11	J 110 AGRB	14.87	120
12.5	J 125 AGRB	15.17	120

Schlüter®-JOLLY-AGSG



polished chrome black anodised aluminium

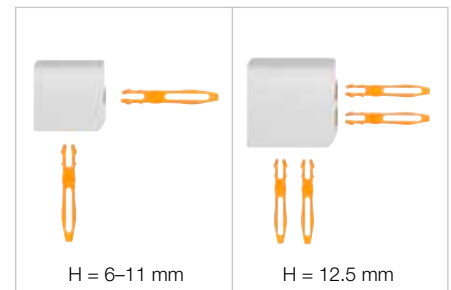
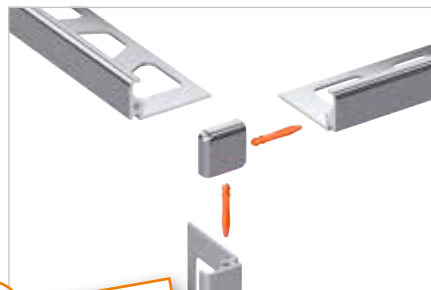
H (mm)	L = 2.50 m Art. No.	€ / m	KV (Unit)
6	J 60 AGSG	13.39	120
8	J 80 AGSG	14.28	120
10	J 100 AGSG	14.58	120
11	J 110 AGSG	14.87	120
12.5	J 125 AGSG	15.17	120

Corner | connector

Schlüter®-JOLLY-A/EV

90° external corner, solid aluminium

H (mm)	Art. No.	€ / U.	P (Unit)
6	EV / J 60 ...*	16.06	50
8	EV / J 80 ...*	16.06	50
10	EV / J 100 ...*	16.06	50
11	EV / J 110 ...*	16.06	50
12.5	EV / J 125 ...*	16.06	50



i
The scope of supply for corner pieces includes the connection pins.

Schlüter®-JOLLY/V

connector for JOLLY profiles (4 units)

Art. No.	€ / Package	P (Package)
V / JPP 4	3.19	50



To complete the art. no., add the finish (e.g. EV / J 60 ACG)

* Finishes: ABGB - ACG - ACGB - AGRB - AGSG - AK - AKG - AKGB - AM - AMG - AMGB - AT - ATG - ATGB

For an overview of finishes and colours, please see page 342.

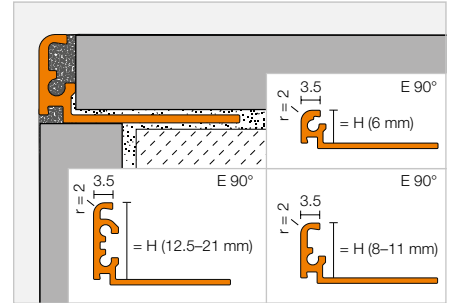


Finishing profile

Schlüter®-JOLLY-AC



Schlüter-JOLLY-AC is a decorative profile made of colour-coated aluminium to finish and protect tiled external wall corners and other tiled edges, e.g. tiled skirting. The 90 degree angled finishing leg safeguards tiles against mechanical damage. The joint spacers on both sides create a uniform grout joint with the tile. The geometric profile undercutting offers additional bonding surface for the grout. The innovative plug-in connection of the corner pieces results in neat, visually appealing corner connections.



(Product data sheet 2.3)

Schlüter®-JOLLY-AC



colour coated aluminium

H (mm)		L = 2.50 m Art. No.	€ / m	KV (Unit)
6	⊗	J 60 ...*	6.96	120
8	⊗	J 80 ...*	7.38	120
10	⊗	J 100 ...*	7.97	120
11	⊗	J 110 ...*	8.27	120
12.5	⊗	J 125 ...*	8.63	120
14		J 140 ...**	8.87	120
16		J 160 ...**	9.23	120
21		J 210 ...**	9.64	120



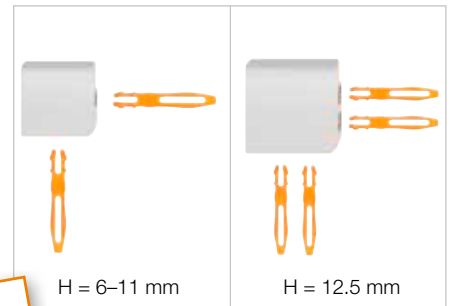
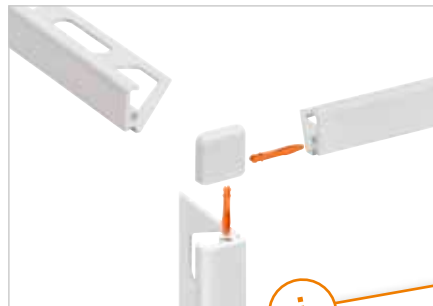
For 3 metre length, add "/300" to art. no. (e.g. J 60 BW/300).

Corner | connector

Schlüter®-JOLLY-AC/EV

90° external corner,
colour coated aluminium

H (mm)	Art. No.	€ / U.	P (Unit)
6	EV / J 60 ...*	14.28	50
8	EV / J 80 ...*	14.28	50
10	EV / J 100 ...*	14.28	50
11	EV / J 110 ...*	14.28	50
12.5	EV / J 125 ...*	14.28	50
14	EV / J 140 ...**	17.07	50
16	EV / J 160 ...**	17.07	50
21	EV / J 210 ...**	17.07	50



To complete the art. no., add the colour (e.g. EV / J 60 MBW)



* Colours L = 2.50 m: BW - G - GM - GS - MBW - MGS - PG - SB - W

** Colours L = 2.50 m: BW - MBW - MGS

Colours L = 3.00 m: BW - GS - MBW - MGS - PG - W

For an overview of finishes and colours, please see page 342.

Schlüter®-JOLLY/V

connector for JOLLY profiles (4 units)

Art. No.	€ / Package	P (Package)
V / JPP 4	3.19	50

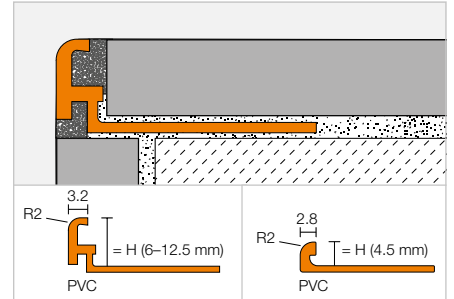


Finishing profile

Schlüter®-JOLLY-P



Schlüter-JOLLY-P is a decorative profile made of coloured PVC to finish and protect tiled external wall corners and other tiled edges, e.g. tiled skirting. The joint spacer creates a uniform grout joint with the tile.
(Product data sheet 2.3)



Schlüter®-JOLLY-P

coloured PVC

H (mm)	L = 2.50 m Art. No.	€ / m	KV (Unit)
4.5	...* 45	2.91	240
6 ☺	...** 60	2.91	240
8 ☺	...** 80	3.13	240
10 ☺	...** 100	3.28	240
11 ☺	...** 110	3.60	240
12.5 ☺	...*** 125	4.07	240

For 3 metre length, add "/300" to art. no. (e.g. BW 60/300).

To complete the art. no., add the colour (e.g. W 45)



* Colours L = 2.50 m: BW - HG - W

** Colours L = 2.50 m: BH - BW - GS - HG - PG - SP - W

*** Colours L = 2.50 m: BW - HG - PG - W

Colours L = 3.00 m: BW - PG - W

For an overview of finishes and colours, please see page 342.



Schlüter®-FINEC

Fine attention to detail

Less is more. True to this motto, Schlüter-FINEC creates an elegant, slim corner profile for perfect wall design. Schlüter-FINEC combines high material quality with minimalist design. Available in:

- ✓ **Stainless steel**
- ✓ **Anodised aluminium**
- ✓ **Textured coated aluminium**
- ✓ **Colour coated aluminium**
- ✓ **All variants also available as corner sets**



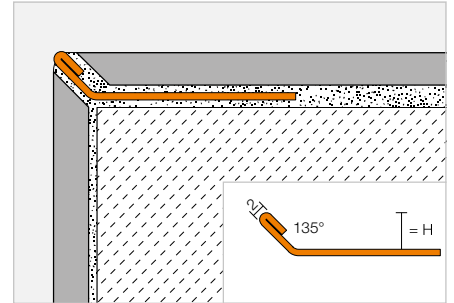
Finishing profile

Schlüter®-FINEC-E



Schlüter-FINEC-E is a high-quality finishing profile made of stainless steel for the external edges of tile coverings, mosaics or rendered surfaces. The finishing leg of the profile protects the covering edges from mechanical damage and creates an elegant, slim corner detail. FINEC-E made of stainless steel is also suitable for use in staircases as a slim edge protection for tiles and rendered surface coatings.

(Product data sheet 2.17)



Schlüter®-FINEC-E

stainless steel V2A

H (mm)	L = 2.50 m Art. No.	€ / m	KV (Unit)
4.5	F 45 E	11.00	120
7	F 70 E	12.99	120
9	F 90 E	13.59	120
11	F 110 E	14.46	120
12.5	F 125 E	14.90	120



Corner set

Schlüter®-FINEC-E/ES

corner set, stainless steel V2A

H (mm)	Art. No.	€ / Set	P (Set)
4.5	ES / F 45 E	38.12	50
7	ES / F 70 E	38.12	50
9	ES / F 90 E	38.12	50
11	ES / F 110 E	38.12	50
12.5	ES / F 125 E	38.12	50

**Note:**

The corner set includes three parts with L = 10 cm, respectively.





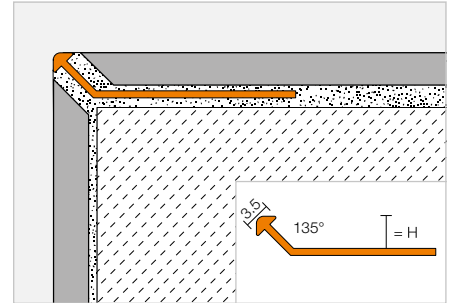
Finishing profile

Schlüter®-FINEC-TS



Schlüter-FINEC-TS is a high-quality finishing profile made of anodised aluminium with a special coating structure and texture for the external edges of tile coverings, mosaics or rendered surfaces. The finishing leg of the profile protects the covering edges from mechanical damage and creates an elegant, slim corner detail.

(Product data sheet 2.17)



Schlüter®-FINEC-TSI

textured natural ivory

H (mm)	L = 2.50 m Art. No.	€ / m	KV (Unit)
4.5	F 45 TSI	15.03	120
7	F 70 TSI	16.13	120
9	F 90 TSI	16.39	120
11	F 110 TSI	17.43	120
12.5	F 125 TSI	18.21	120

Schlüter®-FINEC-TSC

textured natural cream

H (mm)	L = 2.50 m Art. No.	€ / m	KV (Unit)
4.5	F 45 TSC	15.03	120
7	F 70 TSC	16.13	120
9	F 90 TSC	16.39	120
11	F 110 TSC	17.43	120
12.5	F 125 TSC	18.21	120

Schlüter®-FINEC-TSBG

textured natural beige grey

H (mm)	L = 2.50 m Art. No.	€ / m	KV (Unit)
4.5	F 45 TSBG	15.03	120
7	F 70 TSBG	16.13	120
9	F 90 TSBG	16.39	120
11	F 110 TSBG	17.43	120
12.5	F 125 TSBG	18.21	120

Schlüter®-FINEC-TSB

textured natural beige

H (mm)	L = 2.50 m Art. No.	€ / m	KV (Unit)
4.5	F 45 TSB	15.03	120
7	F 70 TSB	16.13	120
9	F 90 TSB	16.39	120
11	F 110 TSB	17.43	120
12.5	F 125 TSB	18.21	120

Schlüter®-FINEC-TSSG

textured natural stone grey

H (mm)	L = 2.50 m Art. No.	€ / m	KV (Unit)
4.5	F 45 TSSG	15.03	120
7	F 70 TSSG	16.13	120
9	F 90 TSSG	16.39	120
11	F 110 TSSG	17.43	120
12.5	F 125 TSSG	18.21	120

Schlüter®-FINEC-TSG

textured natural grey

H (mm)	L = 2.50 m Art. No.	€ / m	KV (Unit)
4.5	F 45 TSG	15.03	120
7	F 70 TSG	16.13	120
9	F 90 TSG	16.39	120
11	F 110 TSG	17.43	120
12.5	F 125 TSG	18.21	120

Schlüter®-FINEC-TSOB

textured natural bronze

H (mm)	L = 2.50 m Art. No.	€ / m	KV (Unit)
4.5	F 45 TSOB	15.03	120
7	F 70 TSOB	16.13	120
9	F 90 TSOB	16.39	120
11	F 110 TSOB	17.43	120
12.5	F 125 TSOB	18.21	120

Schlüter®-FINEC-TSLA

textured natural light anthracite

H (mm)	L = 2.50 m Art. No.	€ / m	KV (Unit)
4.5	F 45 TSLA	15.03	120
7	F 70 TSLA	16.13	120
9	F 90 TSLA	16.39	120
11	F 110 TSLA	17.43	120
12.5	F 125 TSLA	18.21	120

Schlüter®-FINEC-TSDA

textured natural dark anthracite

H (mm)	L = 2.50 m Art. No.	€ / m	KV (Unit)
4.5	F 45 TSDA	15.03	120
7	F 70 TSDA	16.13	120
9	F 90 TSDA	16.39	120
11	F 110 TSDA	17.43	120
12.5	F 125 TSDA	18.21	120

Schlüter®-FINEC-TSR

textured natural rustic brown

H (mm)	L = 2.50 m Art. No.	€ / m	KV (Unit)
-	-	-	-
4.5	F 45 TSR	15.03	120
7	F 70 TSR	16.13	120
9	F 90 TSR	16.39	120
11	F 110 TSR	17.43	120
12.5	F 125 TSR	18.21	120

Schlüter®-FINEC-MBW

colour coated aluminium, matte brilliant white

H (mm)	L = 2.50 m Art. No.	€ / m	KV (Unit)
2.5	F 25 MBW	7.20	120
4.5	F 45 MBW	7.45	120
7	F 70 MBW	7.85	120
9	F 90 MBW	7.97	120
11	F 110 MBW	8.10	120
12.5	F 125 MBW	8.35	120

Schlüter®-FINEC-MGS

colour coated aluminium, matte graphite black

H (mm)	L = 2.50 m Art. No.	€ / m	KV (Unit)
-	-	-	-
4.5	F 45 MGS	7.45	120
7	F 70 MGS	7.85	120
9	F 90 MGS	7.97	120
11	F 110 MGS	8.10	120
12.5	F 125 MGS	8.35	120

Corner set



Schlüter®-FINEC-TS/ES

corner set, aluminium, textured

H (mm)	Art. No.	€ / Set	P (Set)
4.5	ES / F 45 ...*	25.16	50
7	ES / F 70 ...*	25.16	50
9	ES / F 90 ...*	25.16	50
11	ES / F 110 ...*	25.16	50
12.5	ES / F 125 ...*	25.16	50



Schlüter®-FINEC-TS/ES

corner set, colour coated aluminium

H (mm)	Art. No.	€ / Set	P (Set)
2.5	ES / F 25 ...**	20.59	50
4.5	ES / F 45 ...***	20.59	50
7	ES / F 70 ...***	20.59	50
9	ES / F 90 ...***	20.59	50
11	ES / F 110 ...***	20.59	50
12.5	ES / F 125 ...***	20.59	50

Note:

The corner set includes three parts with L = 10 cm, respectively.

To complete the art. no., add the finish/colour (e.g. ES / F 25 MBW)

* Finishes/colours: TSB - TSBG - TSC - TSDA - TSG - TSI - TSLA - TSOB - TSR - TSSG

** Finishes/colours: MBW

*** Finishes/colours: MBW - MGS

Available finishes | colours



For an overview of finishes and colours, please see page 342.

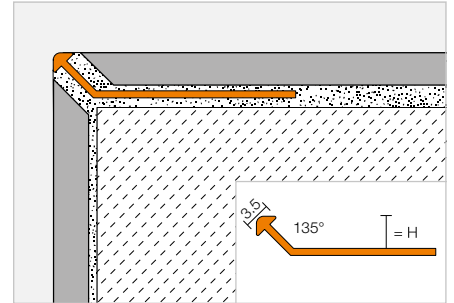


Finishing profile

Schlüter®-FINEC-A



Schlüter-FINEC-A is a high-quality finishing profile made of anodised or colour coated aluminium for the external edges of tile coverings, mosaics or rendered surfaces. The finishing leg of the profile protects the covering edges from mechanical damage and creates an elegant, slim corner detail.
(Product data sheet 2.17)



Schlüter®-FINEC-AE

anodised aluminium

H (mm)	L = 2.50 m Art. No.	€ / m	KV (Unit)
2.5	F 25 AE	6.68	120
4.5	F 45 AE	6.75	120
7	F 70 AE	7.06	120
9	F 90 AE	7.45	120
11	F 110 AE	8.04	120
12.5	F 125 AE	8.29	120



Schlüter®-FINEC-AC

colour coated aluminium

H (mm)	L = 2.50 m Art. No.	€ / m	KV (Unit)
2.5	F 25 ...*	7.20	120
4.5	F 45 ...**	7.45	120
7	F 70 ...**	7.85	120
9	F 90 ...**	7.97	120
11	F 110 ...**	8.10	120
12.5	F 125 ...**	8.35	120

Corner set

Schlüter®-FINEC-AE/ES

corner set, anodised aluminium

H (mm)	Art. No.	€ / Set	P (Set)
2.5	ES / F 25 AE	20.59	50
4.5	ES / F 45 AE	20.59	50
7	ES / F 70 AE	20.59	50
9	ES / F 90 AE	20.59	50
11	ES / F 110 AE	20.59	50
12.5	ES / F 125 AE	20.59	50



Schlüter®-FINEC-AC/ES

corner set, colour coated aluminium

H (mm)	Art. No.	€ / Set	P (Set)
2.5	ES / F 25 ...*	20.59	50
4.5	ES / F 45 ...**	20.59	50
7	ES / F 70 ...**	20.59	50
9	ES / F 90 ...**	20.59	50
11	ES / F 110 ...**	20.59	50
12.5	ES / F 125 ...**	20.59	50

Note:

The corner set includes three parts with L = 10 cm, respectively.

To complete the art. no., add the colour (e.g. ES / F 25 MBW)



* Colours: MBW

** Colours: MBW - MGS

For an overview of finishes and colours, please see page 342.



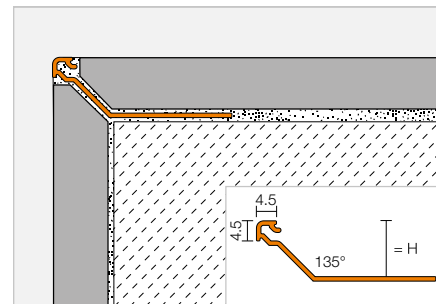


Finishing profile

Schlüter®-FINEC-SQ



Schlüter-FINEC-SQ is a high-quality finishing profile made of anodised, colour coated or textured aluminium for the external edges of tile coverings. The profile protects the covering edges from mechanical damage and creates an elegant, slim square corner detail. (Product data sheet 2.17)



Schlüter®-FINEC-SQ-AE

anodised aluminium

H (mm)	L = 2.50 m Art. No.	€ / m	KV (Unit)
11	F SQ 110 AE	7.53	120
12.5	F SQ 125 AE	8.12	120
15	F SQ 150 AE	8.69	120

Schlüter®-FINEC-SQ-TSI

textured natural ivory

H (mm)	L = 2.50 m Art. No.	€ / m	KV (Unit)
11	F SQ 110 TSI	16.81	120
12.5	F SQ 125 TSI	17.21	120
15	F SQ 150 TSI	17.57	120

Schlüter®-FINEC-SQ-TSC

textured natural cream

H (mm)	L = 2.50 m Art. No.	€ / m	KV (Unit)
11	F SQ 110 TSC	16.81	120
12.5	F SQ 125 TSC	17.21	120
15	F SQ 150 TSC	17.57	120

Schlüter®-FINEC-SQ-TSBG

textured natural beige grey

H (mm)	L = 2.50 m Art. No.	€ / m	KV (Unit)
11	F SQ 110 TSBG	16.81	120
12.5	F SQ 125 TSBG	17.21	120
15	F SQ 150 TSBG	17.57	120

Schlüter®-FINEC-SQ-TSB

textured natural beige

H (mm)	L = 2.50 m Art. No.	€ / m	KV (Unit)
11	F SQ 110 TSB	16.81	120
12.5	F SQ 125 TSB	17.21	120
15	F SQ 150 TSB	17.57	120

Schlüter®-FINEC-SQ-TSSG

textured natural stone grey

H (mm)	L = 2.50 m Art. No.	€ / m	KV (Unit)
11	F SQ 110 TSSG	16.81	120
12.5	F SQ 125 TSSG	17.21	120
15	F SQ 150 TSSG	17.57	120

Schlüter®-FINEC-SQ-TSG

textured natural grey

H (mm)	L = 2.50 m Art. No.	€ / m	KV (Unit)
11	F SQ 110 TSG	16.81	120
12.5	F SQ 125 TSG	17.21	120
15	F SQ 150 TSG	17.57	120

Schlüter®-FINEC-SQ-TSOB

textured natural bronze

H (mm)	L = 2.50 m Art. No.	€ / m	KV (Unit)
11	F SQ 110 TSOB	16.81	120
12.5	F SQ 125 TSOB	17.21	120
15	F SQ 150 TSOB	17.57	120

Schlüter®-FINEC-SQ-TSLA

textured natural light anthracite

H (mm)	L = 2.50 m Art. No.	€ / m	KV (Unit)
11	F SQ 110 TSLA	16.81	120
12.5	F SQ 125 TSLA	17.21	120
15	F SQ 150 TSLA	17.57	120

Schlüter®-FINEC-SQ-TSDA

textured natural dark anthracite

H (mm)	L = 2.50 m Art. No.	€ / m	KV (Unit)
11	F SQ 110 TSDA	16.81	120
12.5	F SQ 125 TSDA	17.21	120
15	F SQ 150 TSDA	17.57	120

Schlüter®-FINEC-SQ-TSR

textured natural rustic brown

H (mm)	L = 2.50 m Art. No.	€ / m	KV (Unit)
11	F SQ 110 TSR	16.81	120
12.5	F SQ 125 TSR	17.21	120
15	F SQ 150 TSR	17.57	120

Schlüter®-FINEC-SQ-MBW

colour coated aluminium, matte brilliant white

H (mm)	L = 2.50 m Art. No.	€ / m	KV (Unit)
11	F SQ 110 MBW	9.86	120
12.5	F SQ 125 MBW	10.43	120
15	F SQ 150 MBW	11.01	120

Schlüter®-FINEC-SQ-MGS

colour coated aluminium, matte graphite black

H (mm)	L = 2.50 m Art. No.	€ / m	KV (Unit)
11	F SQ 110 MGS	9.86	120
12.5	F SQ 125 MGS	10.43	120
15	F SQ 150 MGS	11.01	120



Corner

Schlüter®-QUADEC-A/EV

90° external/internal corner,
solid aluminium

H (mm)	Art. No.	€ / U.	P (Unit)
4.5	EV / Q 45 AE	8.51	50

Schlüter®-QUADEC-A/ED

90° external corner,
aluminium appearance

H (mm)	Art. No.	€ / U.	P (Unit)
4.5	ED / Q 45 E	4.74	50

Schlüter®-QUADEC-TS/EV

90° external/internal corner,
aluminium

H (mm)	Art. No.	€ / U.	P (Unit)
4.5	EV / Q 45 ...*	12.52	50

Schlüter®-QUADEC-AC/EV

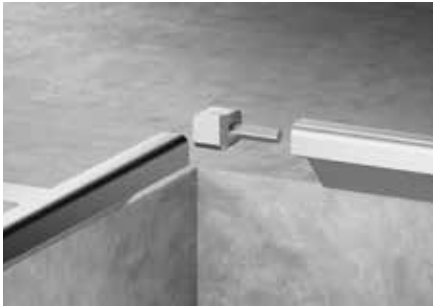
90° external/internal corner for QUADEC-MBW/-MGS,
solid aluminium

H (mm)	Art. No.	€ / U.	P (Unit)
4.5	EV / Q 45 ...**	12.52	50

Schlüter®-QUADEC-AC/ED

90° external corner for QUADEC-MBW/-MGS,
die cast metal appearance

H (mm)	Art. No.	€ / U.	P (Unit)
4.5	ED / Q 45 ...**	4.67	50



To complete the art. no., add the finish/colour (e.g. EV / Q 45 TSBG)

* Finishes/colours: TSB - TSBG - TSC - TSDA - TSG - TSI - TSLA - TSOB - TSR - TSSG

** Finishes/colours: MBW - MGS

Available finishes | colours



For an overview of finishes and colours, please see page 342.

Schlüter®-ARCLINE

Adaptive profiles for customised bathroom design

Schlüter-ARCLINE – the profile system for attaching high-quality accessories – stands for creative design, adaptable for greater bathroom functionality. Due to their special “No drill” design, Schlüter-ARCLINE profiles keep tiles and the underlying waterproofing assembly permanently protected. The profile offers innovative options for adaptive, customised bathroom design. The design of tiles, profiles and glass support panels can be combined to contrast or for blended aesthetics.

- ✓ High-quality aluminium Schlüter-profiles
- ✓ Luxury brand accessories by KEUCO
- ✓ Decorative coloured ESG glass
- ✓ Individual bathroom design
- ✓ Adaptable positioning of accessories
- ✓ No drill design
- ✓ No damage to tiles or underlying waterproofing
- ✓ System combines adaptability, flexibility and design





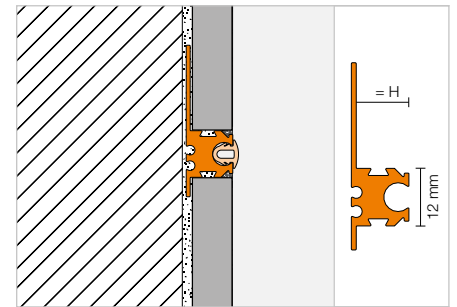
Attachment profile

Schlüter®-ARCLINE-APW



Schlüter-ARCLINE-APW is a decorative profile for joint design in tiled wall coverings and forms a narrow shadow gap. It is particularly well suited for attaching Schlüter-ARCLINE-BAK accessories for customised bathroom design. The profile is supplied with a decorative plastic insert in the profile colour, which can be used to conceal the shadow joint if desired.

(Product data sheet 2.18)



Schlüter®-ARCLINE-APW-AE

anodised aluminium

H (mm)	L = 2.50 m Art. No.	€ / m	KV (Unit)
8	ALW 80 AE	22.85	120
11	ALW 110 AE	24.42	120

Schlüter®-ARCLINE-APW-AC

colour coated aluminium, matte brilliant white

H (mm)	L = 2.50 m Art. No.	€ / m	KV (Unit)
8	ALW 80 MBW	25.67	120
11	ALW 110 MBW	26.92	120

Schlüter®-ARCLINE-APW-TSC

textured natural cream

H (mm)	L = 2.50 m Art. No.	€ / m	KV (Unit)
8	ALW 80 TSC	28.79	120
11	ALW 110 TSC	30.04	120

Schlüter®-ARCLINE-APW-TSDA

textured natural dark anthracite

H (mm)	L = 2.50 m Art. No.	€ / m	KV (Unit)
8	ALW 80 TSDA	28.79	120
11	ALW 110 TSDA	30.04	120

Note:

Please note the technical information in our data sheets for the installation of Schlüter-ARCLINE products. A minimum installation height of 70 cm above the floor is recommended for ARCLINE profiles when installing Schlüter-ARCLINE-BAK-TB products.

End cap | connector

Schlüter®-ARCLINE-APW/EK

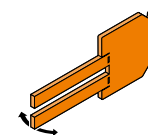
end cap

H (mm)	Art. No.	€ / U.	P (Unit)
8	EK / ALW 80 ...*	6.89	50
11	EK / ALW 110 ...*	6.89	50

Schlüter®-ARCLINE-AL/V

connector (set = 2 pcs.)

Art. No.	€ / Set	P (Set)
V / AL	3.13	50



EK / ALW

To complete the art. no., add the finish/colour (e.g. EK / ALW 80 TSC)

* Finishes/colours: AE - MBW - TSC - TSDA

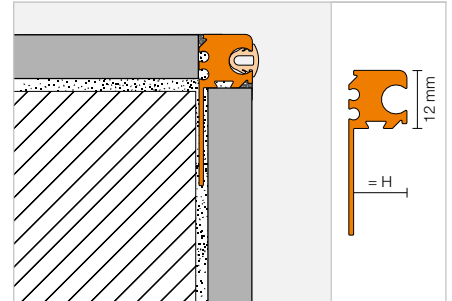
For an overview of finishes and colours, please see page 342.

Attachment profile | end cap | connector

Schlüter®-ARCLINE-APE



Schlüter-ARCLINE-APE is a decorative profile for joint design at external corner edges or skirtings and forms a narrow shadow gap. Designed for attaching Schlüter-ARCLINE-BAK accessories for customised design. The profile is supplied with a decorative plastic insert in the profile colour, which can be used to conceal the shadow joint if desired. (Product data sheet 2.19)



Schlüter®-ARCLINE-APE-AE

anodised aluminium

H (mm)	L = 2.50 m Art. No.	€ / m	KV (Unit)
8	ALE 80 AE	21.60	120
11	ALE 110 AE	23.17	120

Schlüter®-ARCLINE-APE-AC

colour coated aluminium, matte brilliant white

H (mm)	L = 2.50 m Art. No.	€ / m	KV (Unit)
8	ALE 80 MBW	23.47	120
11	ALE 110 MBW	25.04	120

Schlüter®-ARCLINE-APE-TSC

textured natural cream

H (mm)	L = 2.50 m Art. No.	€ / m	KV (Unit)
8	ALE 80 TSC	25.67	120
11	ALE 110 TSC	28.17	120

Schlüter®-ARCLINE-APE-TSDA

textured natural dark anthracite

H (mm)	L = 2.50 m Art. No.	€ / m	KV (Unit)
8	ALE 80 TSDA	25.67	120
11	ALE 110 TSDA	28.17	120

Schlüter®-ARCLINE-APE/EK

end cap

H (mm)	Art. No.	€ / U.	P (Unit)
8	EK / ALE 80 ...*	6.89	50
11	EK / ALE 110 ...*	6.89	50

Schlüter®-ARCLINE-AL/V

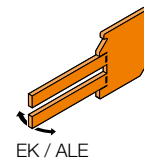
connector (set = 2 pcs.)

Art. No.	€ / Set	P (Set)
V / AL	3.13	50

To complete the art. no., add the finish/colour (e.g. EK / ALE 80 TSC)

* Finishes/colours: AE - MBW - TSC - TSDA

For an overview of finishes and colours, please see page 342.



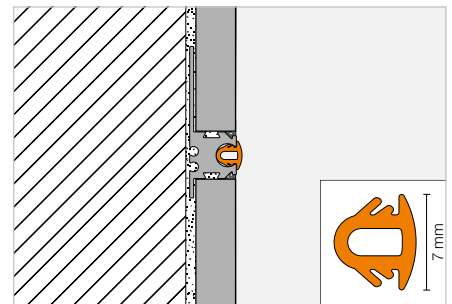
EK / ALE

Decorative insert

Schlüter®-ARCLINE-DEL



Schlüter-ARCLINE-DEL is a protective decorative insert for the Schlüter-ARCLINE-APW and -APE profiles. The four colour options can create a deliberate contrast or be combined to match insert-with-profile, to complement tile and stone trends. (Product data sheet 2.18)



Schlüter®-ARCLINE-DEL

decorative insert

L = 2.50 m Art. No.	€ / m	KV (Unit)
AL DEL / ...*	4.38	60

To complete the art. no., add the colour (e.g. AL DEL / DA)



* Colours: C - DA - GAE - MBW

For an overview of finishes and colours, please see page 342.



Bathroom accessories

Schlüter®-ARCLINE-BAK



Schlüter-ARCLINE-BAK are designer bathroom accessories made by KEUCO, which are pre-mounted on 6 mm coloured ESG safety glass. The glass panels have a rear bracket that easily clicks into Schlüter-ARCLINE profiles for adjustable positioning. The accessories from the KEUCO design series EDITION 400, EDITION 11 and PLAN are available in a variety of colour palettes and cover a broad range of styles. (Product data sheet 2.20)

i
The accessories can only be installed in conjunction with Schlüter-ARCLINE profiles.

Schlüter®-ARCLINE-BAK with KEUCO PLAN design collection



Schlüter®-ARCLINE-BAK-H

towel hook on glass support panel, PLAN series

Dimensions: 220 x 380 mm Art. No.	€ / U.	P (Unit)
AL PLAN H ...*	269.17	10



Schlüter®-ARCLINE-BAK-HR

towel ring on glass support panel, PLAN series

Dimensions: 220 x 380 mm Art. No.	€ / U.	P (Unit)
AL PLAN HR ...*	406.87	10



Schlüter®-ARCLINE-BAK-BH

towel rail on glass support panel, PLAN series

Dimensions: 220 x 700 mm Art. No.	€ / U.	P (Unit)
AL PLAN BH 1 ...*	406.87	10



Schlüter®-ARCLINE-BAK-RH

toilet paper holder on glass support panel, PLAN series

Dimensions: 220 x 220 mm Art. No.	€ / U.	P (Unit)
AL PLAN RH ...*	269.17	10



Schlüter®-ARCLINE-BAK-TB

toilet brush set on glass support panel, PLAN series

Dimensions: 600 x 170 mm Art. No.	€ / U.	P (Unit)
AL PLAN TB ...*	481.99	10

Note:

Please note the technical information in our data sheets for the installation of Schlüter-ARCLINE products. A minimum installation height of 70 cm above the floor is recommended for ARCLINE profiles when installing Schlüter-ARCLINE-BAK-TB products.

Schlüter®-ARCLINE-BAK with KEUCO EDITION 400 / EDITION 11 design collection



Schlüter®-ARCLINE-BAK-A

shelf on glass support panel,
EDITION 400 series

Dimensions: 220 x 380 mm Art. No.	€ / U.	P (Unit)
AL E400 A ...*	338.01	10



Schlüter®-ARCLINE-BAK-AW

shelf with glass wiper on glass support panel,
EDITION 400 series

Dimensions: 220 x 380 mm Art. No.	€ / U.	P (Unit)
AL E400 AW ...*	406.87	10



Schlüter®-ARCLINE-BAK-AK

storage basket on glass support panel,
EDITION 11 series

Dimensions: 220 x 380 mm Art. No.	€ / U.	P (Unit)
AL E11 AK ...*	456.96	10



Schlüter®-ARCLINE-BAK-H

dual towel hook on glass support panel,
EDITION 400 series

Dimensions: 220 x 380 mm Art. No.	€ / U.	P (Unit)
AL E400 H ...*	319.25	10



Schlüter®-ARCLINE-BAK-HR

towel ring on glass support panel,
EDITION 400 series

Dimensions: 220 x 380 mm Art. No.	€ / U.	P (Unit)
AL E400 HR ...*	375.57	10



Schlüter®-ARCLINE-BAK-BH

towel rail on glass support panel,
EDITION 400 series

Dimensions: 220 x 700 mm Art. No.	€ / U.	P (Unit)
AL E400 BH 1 ...*	425.65	10



Schlüter®-ARCLINE-BAK-RH

toilet paper holder on glass support panel,
EDITION 400 series

Dimensions: 220 x 220 mm Art. No.	€ / U.	P (Unit)
AL E400 RH ...*	294.21	10



Schlüter®-ARCLINE-BAK-TB

toilet brush set on glass support panel,
EDITION 400 series

Dimensions: 600 x 170 mm Art. No.	€ / U.	P (Unit)
AL E400 TB ...*	413.13	10

To complete the art. no., add the glass colour (e.g. AL E400 TB DA)



* Colours: C - DA - MBW

For an overview of finishes and colours, please see page 342.

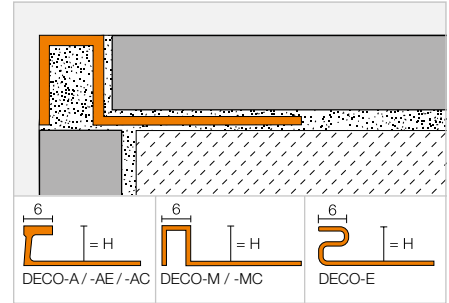


Finishing profile

Schlüter®-DECO



Schlüter-DECO is a profile with a 6 mm wide visible surface for decorative joint design in tile coverings. Schlüter-DECO-M and -MC can also be used as finishing profiles for external wall corners. Schlüter-DECO of aluminium, brass and stainless steel is also suitable for designing floor coverings.
(Product data sheet 1.6)



Schlüter®-DECO-E

stainless steel V2A

H (mm)	L = 2.50 m Art. No.	€ / m	KV (Unit)
8	E 80 D	16.52	120
9	E 90 D	16.75	120
10	E 100 D	16.99	120
11	E 110 D	17.24	120
12.5	E 125 D	17.62	120
14	E 140 D	17.91	120
16	E 160 D	18.49	120
18.5	E 185 D	19.07	120
21	E 210 D	19.66	120
25	E 250 D	20.73	120
30	E 300 D	21.95	120

Schlüter®-DECO-MC

chrome plated brass

H (mm)	L = 2.50 m Art. No.	€ / m	KV (Unit)
9	MC 90 D	38.75	120
11	MC 110 D	39.90	120
12.5	MC 125 D	40.65	120

Schlüter®-DECO-M

brass

H (mm)	L = 2.50 m Art. No.	€ / m	KV (Unit)
9	M 90 D	17.67	120
11	M 110 D	18.44	120
12.5	M 125 D	19.48	120

MyDesign by Schlüter-Systems
Custom coating in 190 RAL Classic colours available. More details from page 16.

Schlüter®-DECO-A

aluminium

H (mm)	L = 2.50 m Art. No.	€ / m	KV (Unit)
8	A 80 D	6.80	120
10	A 100 D	7.25	120
12.5	A 125 D	7.80	120

Schlüter®-DECO-AE

anodised aluminium

H (mm)	L = 2.50 m Art. No.	€ / m	KV (Unit)
8	AE 80 D	8.95	120
10	AE 100 D	9.66	120
12.5	AE 125 D	10.34	120

Schlüter®-DECO-AC

colour coated aluminium

H (mm)	L = 2.50 m Art. No.	€ / m	KV (Unit)
8	...* 80 D	10.66	120
10	...* 100 D	11.53	120
12.5	...* 125 D	12.40	120

Corner

Schlüter®-DECO-MC/EV

90° external corner,
solid chrome plated brass

H (mm)	Art. No.	€ / U.	P (Unit)
9	EV / MC 90 D	21.45	50
11	EV / MC 110 D	21.45	50
12.5	EV / MC 125 D	21.45	50



Schlüter-DECO-MC/EV



To complete the art. no., add the colour (e.g. MGS 80 D)



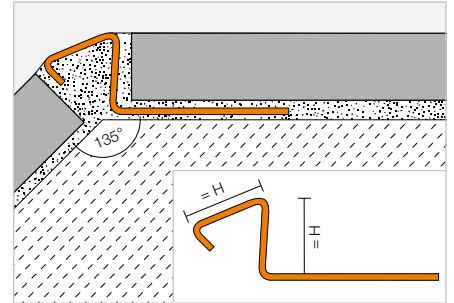
* Colours: BW - MBW - MGS

For an overview of finishes and colours, please see page 342.

Finishing profile

Schlüter®-DECO-DE


Schlüter-DECO-DE is a high-quality stainless steel finishing profile for 135 degree external wall corners in tile coverings and provides excellent edge protection. (Product data sheet 2.14)


Schlüter®-DECO-DE-E-S

stainless steel V2A

H (mm)	L = 2.50 m Art. No.	€ / m	KV (Unit)
8	DE 80 ES	17.57	120
10	DE 100 ES	18.13	120
11	DE 110 ES	18.59	120
12.5	DE 125 ES	19.19	120

Schlüter®-DECO-DE-EB-S

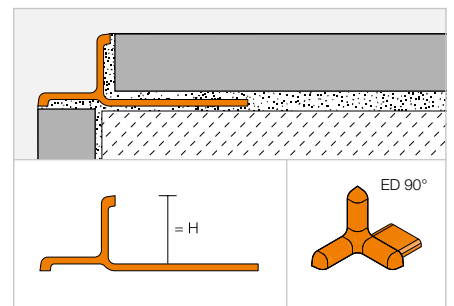
brushed stainless steel V2A

H (mm)	L = 2.50 m Art. No.	€ / m	KV (Unit)
8	DE 80 EBS	22.46	120
10	DE 100 EBS	23.18	120
11	DE 110 EBS	23.71	120
12.5	DE 125 EBS	24.52	120

Finishing profile

Schlüter®-INDEC


Schlüter-INDEC is a high-quality finishing profile of anodised aluminium for external wall corners and the edges of tile coverings. The visible area of the profile forms a recessed decorative groove. (Product data sheet 2.12)


Schlüter®-INDEC-AE

anodised aluminium

H (mm)	L = 2.50 m Art. No.	€ / m	KV (Unit)
8	IN 80 AE	10.81	120
10	IN 100 AE	11.32	120
11	IN 110 AE	13.05	120
12.5	IN 125 AE	13.47	120

Schlüter®-INDEC-ACG

polished chrome anodised aluminium

H (mm)	L = 2.50 m Art. No.	€ / m	KV (Unit)
8	IN 80 ACG	19.11	120
10	IN 100 ACG	19.67	120
11	IN 110 ACG	20.64	120
12.5	IN 125 ACG	21.54	120



Corner

Schlüter®-INDEC/EV

90° external corner

H (mm)	Art. No.	€ / U.	P (Unit)
8	ED / IN 80 ...*	4.89	50
10	ED / IN 100 ...*	4.89	50
11	ED / IN 110 ...*	4.89	50
12.5	ED / IN 125 ...*	4.89	50

To complete the art. no., add the finish (e.g. ED / IN 80 AE)

* Finishes: ACG - AE

For an overview of finishes and colours, please see page 342.



Schlüter corner profiles

A reliable solution for corners and edges

The following pages contain many special profile varieties for wall coverings:

- ✓ Edge protection for residential and commercial spaces
- ✓ Edge protection for external and internal edges and corners
- ✓ Edge protection and decoration for countertops and vanities
- ✓ Decorative and border profiles for coverings

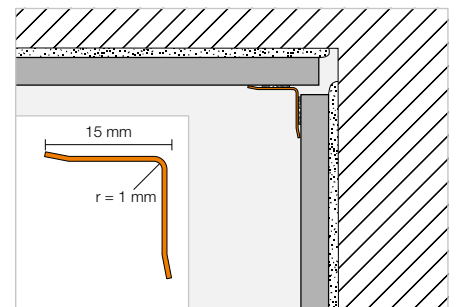


Corner profile

Schlüter®-ECK-KI



Schlüter-ECK-KI is a stainless steel corner profile that is retrofitted to the internal corners of tiled walls or other wall coverings. (Product data sheet 2.7)



Schlüter®-ECK-KI-E

stainless steel V2A

B (mm)	L = 3.00 m Art. No.	€ / m	KV (Unit)
15	KI15 E/300	25.26	60
	L = 2.50 m		
15	KI15 E	25.26	60
	L = 2.00 m		
15	KI15 E/200	25.26	60
	L = 1.50 m		
15	KI15 E/150	25.26	60

Schlüter®-ECK-KI-EB

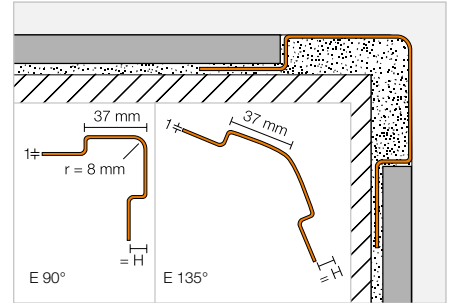
brushed stainless steel V2A

B (mm)	L = 3.00 m Art. No.	€ / m	KV (Unit)
15	KI15 EB/300	32.83	60
	L = 2.50 m		
15	KI15 EB	32.83	60
	L = 2.00 m		
15	KI15 EB/200	32.83	60
	L = 1.50 m		
15	KI15 EB/150	32.83	60

Corner profile

Schlüter®-ECK-E


Schlüter-ECK-E is a stainless steel corner profile for external wall corners of tiled surfaces that offers durable edge protection. The perforated anchoring legs are embedded in the tile adhesive during tile installation. (Product data sheet 2.6)


Schlüter®-ECK-E

stainless steel V2A

H (mm)	L = 3.00 m Art. No.	€ / m	KV (Unit)
6	E37 V2A 60/300	36.56	60
8	E37 V2A 80/300	37.97	60
11	E37 V2A 110/300	39.55	60
L = 2.50 m			
6	E37 V2A 60/250	36.56	60
8	E37 V2A 80/250	37.97	60
11	E37 V2A 110/250	39.55	60
L = 2.00 m			
6	E37 V2A 60/200	36.56	60
8	E37 V2A 80/200	37.97	60
11	E37 V2A 110/200	39.55	60
L = 1.50 m			
6	E37 V2A 60/150	36.56	60
8	E37 V2A 80/150	37.97	60
11	E37 V2A 110/150	39.55	60

Schlüter®-ECK-EB

brushed stainless steel V2A

H (mm)	L = 3.00 m Art. No.	€ / m	KV (Unit)
6	E37 V2A EB 60/300	47.53	60
8	E37 V2A EB 80/300	49.36	60
11	E37 V2A EB 110/300	51.44	60
L = 2.50 m			
6	E37 V2A EB 60/250	47.53	60
8	E37 V2A EB 80/250	49.36	60
11	E37 V2A EB 110/250	51.44	60
L = 2.00 m			
6	E37 V2A EB 60/200	47.53	60
8	E37 V2A EB 80/200	49.36	60
11	E37 V2A EB 110/200	51.44	60
L = 1.50 m			
6	E37 V2A EB 60/150	47.53	60
8	E37 V2A EB 80/150	49.36	60
11	E37 V2A EB 110/150	51.44	60

Schlüter®-ECK-E V4A

stainless steel V4A

H (mm)	L = 3.00 m Art. No.	€ / m	KV (Unit)
8	E37 V4A 80/300	41.77	60
11	E37 V4A 110/300	43.53	60
L = 2.50 m			
8	E37 V4A 80/250	41.77	60
11	E37 V4A 110/250	43.53	60
L = 2.00 m			
8	E37 V4A 80/200	41.77	60
11	E37 V4A 110/200	43.53	60
L = 1.50 m			
8	E37 V4A 80/150	41.77	60
11	E37 V4A 110/150	43.53	60

Schlüter®-ECK-E-S

stainless steel V2A, 135° angle

H (mm)	L = 3.00 m Art. No.	€ / m	KV (Unit)
6	E37 E 60 S/300	35.67	60
8	E37 E 80 S/300	37.11	60
11	E37 E 110 S/300	38.62	60
L = 2.50 m			
6	E37 E 60 S	35.67	60
8	E37 E 80 S	37.11	60
11	E37 E 110 S	38.62	60

Schlüter®-ECK-EB-S

brushed stainless steel V2A, 135° angle

H (mm)	L = 3.00 m Art. No.	€ / m	KV (Unit)
6	E37 EB 60 S/300	46.40	60
8	E37 EB 80 S/300	48.23	60
11	E37 EB 110 S/300	50.23	60
L = 2.50 m			
6	E37 EB 60 S	46.40	60
8	E37 EB 80 S	48.23	60
11	E37 EB 110 S	50.23	60

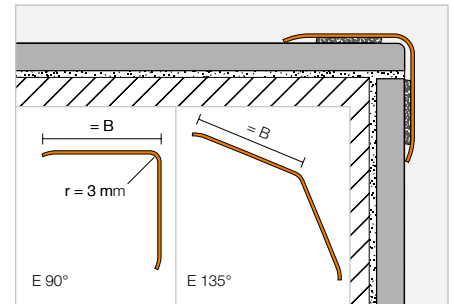


Corner profile

Schlüter®-ECK-K



Schlüter-ECK-K is a stainless steel corner profile that is retrofitted to the external corners of tiled walls or other wall coverings. (Product data sheet 2.7)



Schlüter®-ECK-K-E

stainless steel V2A

B (mm)	L = 3.00 m Art. No.	€ / m	KV (Unit)
15	K15 V2A/300	25.26	60
32	K32 V2A/300	36.85	60
50	K50 V2A/300	47.45	60
	L = 2.50 m		
15	K15 V2A/250	25.26	60
32	K32 V2A/250	36.85	60
50	K50 V2A/250	47.45	60
	L = 2.00 m		
15	K15 V2A/200	25.26	60
32	K32 V2A/200	36.85	60
50	K50 V2A/200	47.45	60
	L = 1.50 m		
15	K15 V2A/150	25.26	60
32	K32 V2A/150	36.85	60
50	K50 V2A/150	47.45	60

Schlüter®-ECK-K-EB

brushed stainless steel V2A

B (mm)	L = 3.00 m Art. No.	€ / m	KV (Unit)
15	K15 V2A EB/300	32.83	60
32	K32 V2A EB/300	47.93	60
50	K50 V2A EB/300	61.63	60
	L = 2.50 m		
15	K15 V2A EB/250	32.83	60
32	K32 V2A EB/250	47.93	60
50	K50 V2A EB/250	61.63	60
	L = 2.00 m		
15	K15 V2A EB/200	32.83	60
32	K32 V2A EB/200	47.93	60
50	K50 V2A EB/200	61.63	60
	L = 1.50 m		
15	K15 V2A EB/150	32.83	60
32	K32 V2A EB/150	47.93	60
50	K50 V2A EB/150	61.63	60

Schlüter®-ECK-K-E V4A

stainless steel V4A

B (mm)	L = 2.50 m Art. No.	€ / m	KV (Unit)
32	K32 V4A/250	40.55	60
	L = 2.00 m		
32	K32 V4A/200	40.55	60
	L = 1.50 m		
32	K32 V4A/150	40.55	60

Schlüter®-ECK-K-E-S

stainless steel V2A, 135° angle

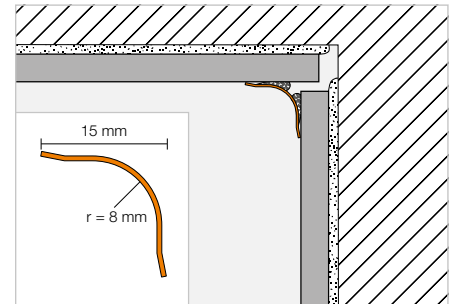
B (mm)	L = 3.00 m Art. No.	€ / m	KV (Unit)
32	K32 ES/300	36.04	60
	L = 2.50 m		
32	K32 ES	36.04	60
	L = 2.00 m		
32	K32 ES/200	36.04	60
	L = 1.50 m		
32	K32 ES/150	36.04	60

Cove-shaped profile

Schlüter®-ECK-KHK


Schlüter-ECK-KHK is a cove shaped, stainless steel corner profile that is retrofitted to the internal corners of tiled walls or other wall coverings.

(Product data sheet 2.7)


Schlüter®-ECK-KHK-E

stainless steel V2A

B (mm)	L = 3.00 m Art. No.	€ / m	KV (Unit)
15	KHK15 E/300	25.26	60
	L = 2.50 m		
15	KHK15 E	25.26	60
	L = 2.00 m		
15	KHK15 E/200	25.26	60
	L = 1.50 m		
15	KHK15 E/150	25.26	60

Schlüter®-ECK-KHK-EB

brushed stainless steel V2A

B (mm)	L = 3.00 m Art. No.	€ / m	KV (Unit)
15	KHK15 EB/300	32.83	60
	L = 2.50 m		
15	KHK15 EB	32.83	60
	L = 2.00 m		
15	KHK15 EB/200	32.83	60
	L = 1.50 m		
15	KHK15 EB/150	32.83	60

Corner | connector

Schlüter®-ECK-KHK-E/E

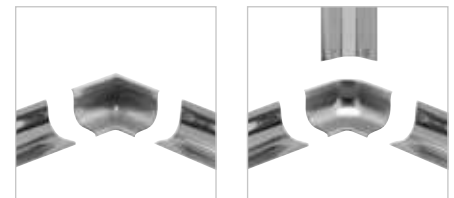
90° external corner,
stainless steel V2A

Art. No.	€ / U.	P (Unit)
E / KHK15 E	8.37	50

Schlüter®-ECK-KHK-EB/E

90° external corner,
brushed stainless steel V2A

Art. No.	€ / U.	P (Unit)
E / KHK15 EB	9.21	50



I2 = 2 way

I3 = 3 way

Schlüter®-ECK-KHK-E/I

90° internal corner,
stainless steel V2A

Art. No.	€ / U.	P (Unit)
I/2 KHK15 E	8.37	50
I/3 KHK15 E	8.37	50

Schlüter®-ECK-KHK-EB/I

90° internal corner,
brushed stainless steel V2A

Art. No.	€ / U.	P (Unit)
I/2 KHK15 EB	9.21	50
I/3 KHK15 EB	9.21	50

Schlüter®-ECK-KHK-E/V

connector,
stainless steel V2A

Art. No.	€ / U.	P (Unit)
V / KHK15 E	8.37	50

Schlüter®-ECK-KHK-EB/V

connector,
brushed stainless steel V2A

Art. No.	€ / U.	P (Unit)
V / KHK15 EB	9.21	50



E / KHK I/2 KHK I/3 KHK V / KHK

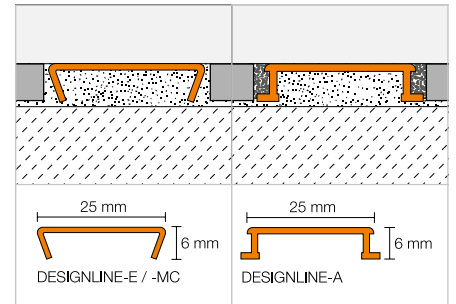


Border profile

Schlüter®-DESIGNLINE



Schlüter-DESIGNLINE is a border profile for creating attractive wall coverings. The range of profiles can be combined with the corresponding Schlüter-RONDEC, -QUADEC or -JOLLY profiles for external wall corners. (Product data sheet 2.2)



Schlüter®-DESIGNLINE-MC

chrome plated brass

L = 2.50 m Art. No.	€ / m	KV (Unit)
DL 625 MC	36.67	120

Schlüter®-DESIGNLINE-E

polished stainless steel V2A

L = 2.50 m Art. No.	€ / m	KV (Unit)
DL 625 E	26.07	120

Schlüter®-DESIGNLINE-EB

brushed stainless steel V2A

L = 2.50 m Art. No.	€ / m	KV (Unit)
DL 625 EB	30.02	120

Schlüter®-DESIGNLINE-AME

anodised aluminium

L = 2.50 m Art. No.	€ / m	KV (Unit)
DL 625 ...*	12.83	120

Schlüter®-DESIGNLINE-AGE

polished chrome anodised aluminium

L = 2.50 m Art. No.	€ / m	KV (Unit)
DL 625 ...**	23.68	120

Schlüter®-DESIGNLINE-AGBE

brushed chrome anodised aluminium

L = 2.50 m Art. No.	€ / m	KV (Unit)
DL 625 ...***	24.91	120

Schlüter®-DESIGNLINE-AC

colour coated aluminium

L = 2.50 m Art. No.	€ / m	KV (Unit)
DL 625 ...****	14.86	120



To complete the art. no., add the finish/colour (e.g. DL 625 MBW)

* Finishes/colours: AE - AK - AM - AT

** Finishes/colours: ACG - AKG - AMG - ATG

*** Finishes/colours: ACGB - AKGB - AMGB - ATGB

**** Finishes/colours: BW - MBW - MGS

For an overview of finishes and colours, please see page 342.

Note:

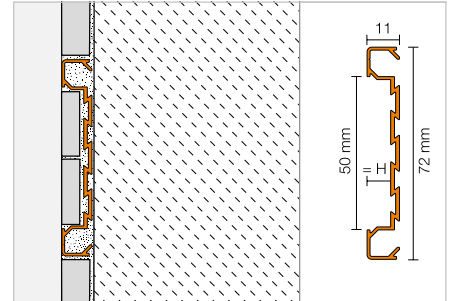
The Schlüter-DESIGNLINE range matches all -RONDEC, -QUADEC and -JOLLY profiles with the same art. no. finish code.

Decorative profile

Schlüter®-QUADEC-FS

Schlüter-QUADEC-FS is a decorative profile for finishing the edges of borders or ornamental tile segments.

(Product data sheet 2.11)

**Schlüter®-QUADEC-FS**

anodised aluminium

H (mm)	L = 2.50 m Art. No.	€ / m	KV (Unit)
8	QF 8/50 ...*	45.04	120

Corner

Schlüter®-QUADEC-FS/E

90° external/internal corner

H (mm)	Art. No.	€ / U.	P (Unit)
8	EV / QF 8/50 ...*	31.55	50



The variable corner pieces can be used for internal and external corners.

To complete the art. no., add the finish (e.g. EV / QF 8/50 AT)

* Finishes: AE - AT

For an overview of finishes and colours, please see page 342.

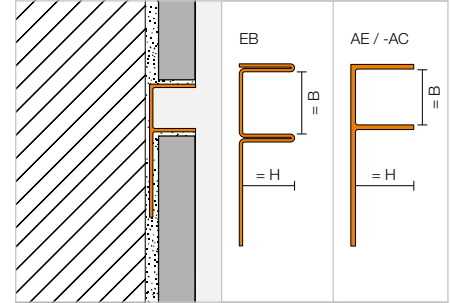


Attachment profile

Schlüter®-DECO-SG



Schlüter-DECO-SG is a decorative profile for joint design in tile coverings. It forms either a 12 mm or 15 mm wide shadow gap. The profile is ideal for holding and fixing glass elements in the floor and wall area.
(Product data sheet 2.16)



Schlüter®-DECO-SG-EB

brushed stainless steel V4A, B = 12 mm

H (mm)	L = 2.50 m Art. No.	€ / m	KV (Unit)
8	SG 80 EB 12	51.47	120
10	SG 100 EB 12	54.05	120
11	SG 110 EB 12	56.61	120
12.5	SG 125 EB 12	59.18	120

Schlüter®-DECO-SG-EB

brushed stainless steel V4A, B = 15 mm

H (mm)	L = 2.50 m Art. No.	€ / m	KV (Unit)
8	SG 80 EB 15	55.33	120
10	SG 100 EB 15	57.90	120
11	SG 110 EB 15	60.48	120
12.5	SG 125 EB 15	63.05	120

Schlüter®-DECO-SG-AE

anodised aluminium, B = 12 mm

H (mm)	L = 2.50 m Art. No.	€ / m	KV (Unit)
8	SG 80 AE 12	18.40	120
10	SG 100 AE 12	18.88	120
11	SG 110 AE 12	19.31	120
12.5	SG 125 AE 12	19.82	120

Schlüter®-DECO-SG-AE

anodised aluminium, B = 15 mm

H (mm)	L = 2.50 m Art. No.	€ / m	KV (Unit)
8	SG 80 AE 15	21.29	120
10	SG 100 AE 15	21.60	120
11	SG 110 AE 15	22.36	120
12.5	SG 125 AE 15	22.85	120



Schlüter®-DECO-SG-AC

colour coated aluminium, B = 12 mm

H (mm)	L = 2.50 m Art. No.	€ / m	KV (Unit)
8	SG 80 BW 12	21.53	120
10	SG 100 BW 12	22.04	120
11	SG 110 BW 12	22.55	120
12.5	SG 125 BW 12	23.06	120

Schlüter®-DECO-SG-AC

colour coated aluminium, B = 15 mm

H (mm)	L = 2.50 m Art. No.	€ / m	KV (Unit)
8	SG 80 BW 15	25.11	120
10	SG 100 BW 15	25.63	120
11	SG 110 BW 15	26.14	120
12.5	SG 125 BW 15	26.65	120

MyDesign by Schlüter-Systems
Custom coating in 190 RAL Classic colours available. More details from page 16.

Available coloured finishes:

BW

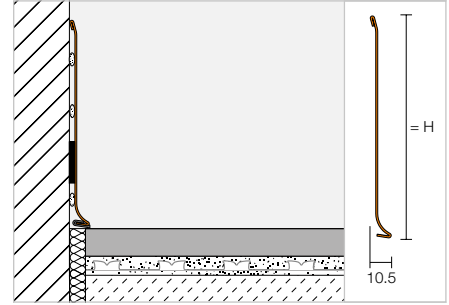
Colours: BW

For an overview of finishes and colours, please see page 342.

Skirting profile

Schlüter®-DESIGNBASE-SL-E


Schlüter-DESIGNBASE-SL-E is a high-quality stainless steel profile to quickly create skirting covers in areas subjected to higher stresses. It is attached to the wall area with a suitable adhesive. The supplied connectors, also made of stainless steel, enable quick and convenient installation. Optionally, the profile can be equipped with a sealing lip that is available as an accessory to protect the perimeter movement joint from moisture and to reduce the transmission of impact sound. (Product data sheet 16.2)


Schlüter®-DESIGNBASE-SL-EB

brushed stainless steel V2A

H (mm)	L = 2.50 m Art. No.	€ / m	KV (Unit)
110	DB SL 110 EB	46.32	60
160	DB SL 160 EB	57.90	60

Corner | end cap | connector | sealing lip

Schlüter®-DESIGNBASE-SL-EB/E 90°

 90° external corner,
brushed stainless steel V2A

H (mm)	Art. No.	€ / U.	P (Unit)
110	E 90 / DB SL 110 EB	45.03	50
160	E 90 / DB SL 160 EB	47.61	50


Schlüter®-DESIGNBASE-SL-EB/I 90°

 90° internal corner,
brushed stainless steel V2A

H (mm)	Art. No.	€ / U.	P (Unit)
110	I 90 / DB SL 110 EB	45.03	50
160	I 90 / DB SL 160 EB	47.61	50

Schlüter®-DESIGNBASE-SL-EB/EK

 left end cap,
brushed stainless steel V2A

H (mm)	Art. No.	€ / U.	P (Unit)
110	EL / DB SL 110 EB	32.16	50
160	EL / DB SL 160 EB	33.45	50


Schlüter®-DESIGNBASE-SL-EB/EK

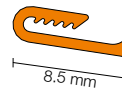
 right end cap,
brushed stainless steel V2A

H (mm)	Art. No.	€ / U.	P (Unit)
110	ER / DB SL 110 EB	32.16	50
160	ER / DB SL 160 EB	33.45	50

Schlüter®-DESIGNBASE-SL-EB/V

 connector,
brushed stainless steel V2A

H (mm)	Art. No.	€ / U.	P (Unit)
110	V / DB SL 110 EB	19.30	50
160	V / DB SL 160 EB	20.58	50


Schlüter®-DESIGNBASE-SL/ZS

sealing lip

L = 2.50 m Art. No.	€ / m	KV (Unit)
DB ZS LLE	5.80	60

Colour:

DB ZS LLE = light grey



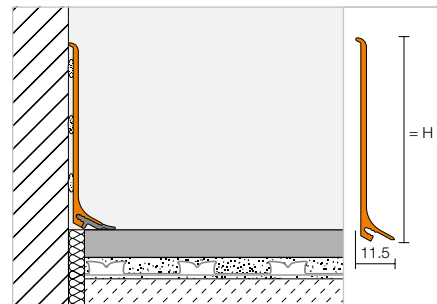


Skirting profile

Schlüter®-DESIGNBASE-SL-A



Schlüter-DESIGNBASE-SL-A is a profile made of high-quality coated or anodised aluminium for quickly creating decorative skirtings. The profile is simply attached to the wall area with a suitable adhesive. Optionally, the profile can be equipped with a sealing lip that is available as an accessory to protect the perimeter movement joint from moisture and to reduce the transmission of impact sound. (Product data sheet 16.2)



Schlüter®-DESIGNBASE-SL-AE

anodised aluminium

H (mm)	L = 2.50 m Art. No.	€ / m	KV (Unit)
60	DB SL 60 AE	14.50	60
80	DB SL 80 AE	18.45	60

Schlüter®-DESIGNBASE-SL-AEEB

brushed stainless steel appearance,
anodised aluminium

H (mm)	L = 2.50 m Art. No.	€ / m	KV (Unit)
60	DB SL 60 AEEB	25.04	60
80	DB SL 80 AEEB	32.30	60

Schlüter®-DESIGNBASE-SL-AC

colour coated aluminium

H (mm)	L = 2.50 m Art. No.	€ / m	KV (Unit)
60	DB SL 60 MBW	19.12	60
80	DB SL 80 MBW	23.73	60

Corner | end cap | connector | sealing lip

Schlüter®-DESIGNBASE-SL-AE/ED

90° external corner,
anodised aluminium

H (mm)	Art. No.	€ / U.	P (Unit)
60	ED / DB SL 60 AE	13.18	50
80	ED / DB SL 80 AE	13.18	50

Schlüter®-DESIGNBASE-SL-AEEB/ED

90° external corner, brushed stainless steel appearance,
anodised aluminium

H (mm)	Art. No.	€ / U.	P (Unit)
60	ED / DB SL 60 AEEB	13.18	50
80	ED / DB SL 80 AEEB	13.18	50

Schlüter®-DESIGNBASE-SL-AC/ED

90° external corner,
colour coated aluminium

H (mm)	Art. No.	€ / U.	P (Unit)
60	ED / DB SL 60 MBW	13.18	50
80	ED / DB SL 80 MBW	13.18	50

Schlüter®-DESIGNBASE-SL-AE/ID

90° internal corner,
anodised aluminium

H (mm)	Art. No.	€ / U.	P (Unit)
60	ID / DB SL 60 AE	13.18	50
80	ID / DB SL 80 AE	13.18	50

Schlüter®-DESIGNBASE-SL-AEEB/ID

90° internal corner, stainless steel appearance,
anodised aluminium

H (mm)	Art. No.	€ / U.	P (Unit)
60	ID / DB SL 60 AEEB	13.18	50
80	ID / DB SL 80 AEEB	13.18	50

Schlüter®-DESIGNBASE-SL-AC/ID

90° internal corner,
colour coated aluminium

H (mm)	Art. No.	€ / U.	P (Unit)
60	ID / DB SL 60 MBW	13.18	50
80	ID / DB SL 80 MBW	13.18	50

Note:

For reasons associated with production technology, the internal corners (ID / DB SL 60 AEEB and ID / DB SL 80 AEEB) are not available in brushed versions.

Schlüter®-DESIGNBASE-SL-AE/EK

end cap left,
anodised aluminium

H (mm)	Art. No.	€ / U.	P (Unit)
60	EL / DB SL 60 AE	13.18	50
80	EL / DB SL 80 AE	13.18	50

Schlüter®-DESIGNBASE-SL-AEEB/EK

end cap left, brushed stainless steel appearance,
anodised aluminium

H (mm)	Art. No.	€ / U.	P (Unit)
60	EL / DB SL 60 AEEB	13.18	50
80	EL / DB SL 80 AEEB	13.18	50

Schlüter®-DESIGNBASE-SL-AC/EK

end cap left,
colour coated aluminium

H (mm)	Art. No.	€ / U.	P (Unit)
60	EL / DB SL 60 MBW	13.18	50
80	EL / DB SL 80 MBW	13.18	50

Schlüter®-DESIGNBASE-SL-AE/EK

end cap right,
anodised aluminium

H (mm)	Art. No.	€ / U.	P (Unit)
60	ER / DB SL 60 AE	13.18	50
80	ER / DB SL 80 AE	13.18	50

Schlüter®-DESIGNBASE-SL-AEEB/EK

end cap right, brushed stainless steel appearance,
anodised aluminium

H (mm)	Art. No.	€ / U.	P (Unit)
60	ER / DB SL 60 AEEB	13.18	50
80	ER / DB SL 80 AEEB	13.18	50

Schlüter®-DESIGNBASE-SL-AC/EK

end cap right,
colour coated aluminium

H (mm)	Art. No.	€ / U.	P (Unit)
60	ER / DB SL 60 MBW	13.18	50
80	ER / DB SL 80 MBW	13.18	50

Schlüter®-DESIGNBASE-SL-AE/V

connector,
anodised aluminium

H (mm)	Art. No.	€ / U.	P (Unit)
60	V / DB SL 60 AE	13.18	50
80	V / DB SL 80 AE	13.18	50

Schlüter®-DESIGNBASE-SL-AEEB/V

connector, brushed stainless steel appearance,
anodised aluminium

H (mm)	Art. No.	€ / U.	P (Unit)
60	V / DB SL 60 AEEB	13.18	50
80	V / DB SL 80 AEEB	13.18	50

Schlüter®-DESIGNBASE-SL-AC/V

connector,
colour coated aluminium

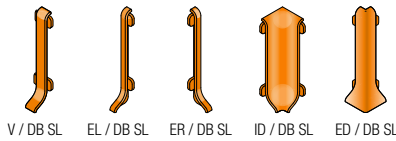
H (mm)	Art. No.	€ / U.	P (Unit)
60	V / DB SL 60 MBW	13.18	50
80	V / DB SL 80 MBW	13.18	50

Available coloured finishes:

MBW

Colours: MBW

For an overview of finishes and colours,
please see page 342.



MyDesign by Schlüter-Systems
Custom prints or coating in 190 RAL Classic
colours available. More details from page 16.

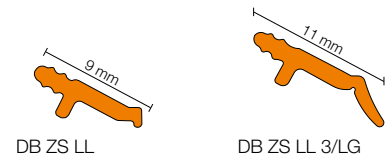
Schlüter®-DESIGNBASE-SL/ZS

sealing lip

L = 2.50 m Art. No.	€ / m	KV (Unit)
DB ZS LL	5.21	60
DB ZS LL 3/LG	6.46	60

Colours:

DB ZS LL = light grey
DB ZS LL 3/LG = light grey



DB ZS LL

DB ZS LL 3/LG

Note:

New, extended sealing lip DB ZS LL 3/LG for absorbing screed shrinkage in new construction.



Note:

Schlüter-DESIGNBASE-SL-A can be shaped into a curved format with the Schlüter-RUMA forming machine, subject to the material and radius required. Please contact us for advice. Skirting boards with LED lighting can be created with Schlüter-DESIGNBASE-QD, see LT price list for details.



Skirting profile

Schlüter®-DESIGNBASE-CQ

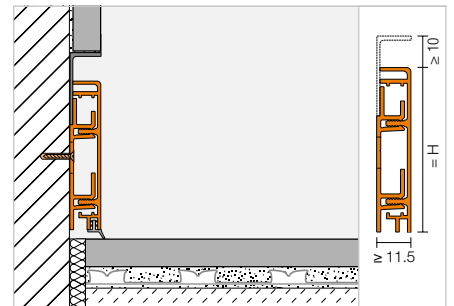
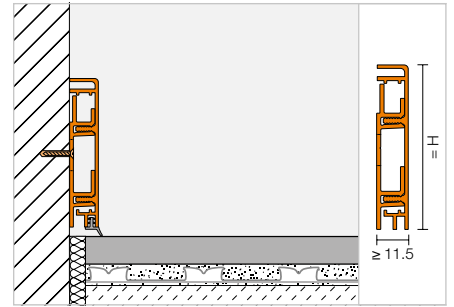


Schlüter-DESIGNBASE-CQ is a profile made of high-quality coated or anodised aluminium for creating decorative skirtings. The integrated chambers of the height-adjustable plastic support profile are designed to conceal cables. Cable outlets are available as accessories. The optionally available aluminium angle allows for creating a shadow joint in flush-mounted assemblies. The profile can additionally be equipped with a sealing lip that is also available as an accessory to protect the perimeter movement joint from moisture and to reduce the transmission of impact sound.

(Product data sheet 16.3)



Schlüter®-DESIGNBASE-CQ/O



Schlüter®-DESIGNBASE-CQ-AE

anodised aluminium set

H (mm)	L = 2.50 m Art. No.	€ / m	KV (Set)
60	DB CQ 60 AE	30.98	60
80	DB CQ 80 AE	32.96	60

Schlüter®-DESIGNBASE-CQ-AEEB

brushed stainless steel appearance, anodised aluminium set

H (mm)	L = 2.50 m Art. No.	€ / m	KV (Set)
60	DB CQ 60 AEEB	38.21	60
80	DB CQ 80 AEEB	42.18	60

Schlüter®-DESIGNBASE-CQ-AC

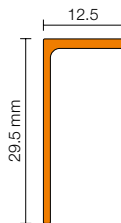
colour coated aluminium set

H (mm)	L = 2.50 m Art. No.	€ / m	KV (Set)
60	DB CQ 60 MBW	35.59	60
80	DB CQ 80 MBW	39.55	60

Schlüter®-DESIGNBASE-CQ/SG

shadow joint angle profile

H (mm)	L = 2.50 m Art. No.	€ / m	KV (Unit)
12.5	DB SG 125 AE	9.16	60
12.5	DB SG 125 MBW	13.78	60
12.5	DB SG 125 AEEB	19.12	60



Note:

The set consists of the profile Schlüter-DESIGNBASE-CQ, a PVC support profile, and mounting materials.

Corner | end cap | cable outlet | sealing lip

Schlüter®-DESIGNBASE-CQ-AE/EV

90° external/internal corner / end cap, anodised aluminium

H (mm)	Art. No.	€ / U.	P (Unit)
60	EV / DB CQ 60 AE	20.41	50
80	EV / DB CQ 80 AE	20.41	50

Schlüter®-DESIGNBASE-CQ-AEEB/EV

90° external/internal corner / end cap, brushed stainless steel appearance, anodised aluminium

H (mm)	Art. No.	€ / U.	P (Unit)
60	EV / DB CQ 60 AEEB	21.75	50
80	EV / DB CQ 80 AEEB	21.75	50

Schlüter®-DESIGNBASE-CQ-AC/EV

90° external/internal corner / end cap, colour coated aluminium

H (mm)	Art. No.	€ / U.	P (Unit)
60	EV / DB CQ 60 MBW	21.10	50
80	EV / DB CQ 80 MBW	21.10	50

Schlüter®-DESIGNBASE-CQ-AE/O

cable outlet, width: 15 cm

H (mm)	Art. No.	€ / U.	P (Unit)
60	DB COQ 60 AE/15	15.81	60
80	DB COQ 80 AE/15	16.47	60

Schlüter®-DESIGNBASE-CQ-AEEB/O

cable outlet, width: 15 cm

H (mm)	Art. No.	€ / U.	P (Unit)
60	DB COQ 60 AEEB/15	17.15	60
80	DB COQ 80 AEEB/15	17.80	60

Schlüter®-DESIGNBASE-CQ-AC/O

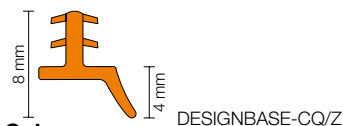
cable outlet, width: 15 cm

H (mm)	Art. No.	€ / U.	P (Unit)
60	DB COQ 60 MBW/15	16.14	60
80	DB COQ 80 MBW/15	16.94	60

Schlüter®-DESIGNBASE-CQ/Z

sealing lip

L = 2.50 m Art. No.	€ / m	P (Unit)
DB ZCL / MBW	7.25	60
DB ZCL / PG	7.25	60



Colours:

DB ZCL / MBW = matte brilliant white
DB ZCL / PG = pastel grey

Available coloured finishes:

MBW

Colours: MBW

Durable beauty

Ceramic tile worktops

Worktops with ceramic coverings add beauty to any kitchen. They not only are easy to care for and highly durable, but also create substantial aesthetic appeal. To keep the high-value structural elements permanently beautiful, the assembly should have elegant edge protection against mechanical impacts. Schlüter-SCHIENE-STEP and -RONDEC-STEP are two full profile lines that were specifically developed for this purpose.



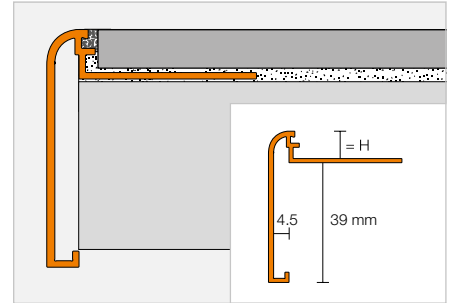


Finishing profile

Schlüter®-RONDEC-STEP



Schlüter-RODEC-STEP is an edge profile for countertops or shelves with tile coverings. The upper edge has a rounded look. (Product data sheet 2.8)



Schlüter®-RONDEC-STEP-AE

anodised aluminium

H (mm)	L = 2.50 m Art. No.	€ / m	KV (Unit)
8	RS 80 AE 39	27.98	60
10	RS 100 AE 39	28.59	60
12.5	RS 125 AE 39	29.16	60

Schlüter®-RONDEC-STEP-ACGB

brushed chrome anodised aluminium

H (mm)	L = 2.50 m Art. No.	€ / m	KV (Unit)
8	RS 80 ACGB 39	34.57	60
10	RS 100 ACGB 39	35.14	60
12.5	RS 125 ACGB 39	35.67	60

Schlüter®-RONDEC-STEP-AC

colour coated aluminium

H (mm)	L = 2.50 m Art. No.	€ / m	KV (Unit)
8	RS 80 ...* 39	31.01	60
10	RS 100 ...* 39	32.03	60
12.5	RS 125 ...* 39	33.06	60

Corner

Schlüter®-RONDEC-STEP/E 90°

90° external corner

H (mm)	Art. No.	€ / U.	P (Unit)
8	E90 RS 80 ...** 39	31.35	50
10	E90 RS 100 ...** 39	31.35	50
12.5	E90 RS 125 ...** 39	31.35	50

Schlüter®-RONDEC-STEP/E 135°

135° external corner

H (mm)	Art. No.	€ / U.	P (Unit)
8	E135 RS 80 ...** 39	31.35	50
10	E135 RS 100 ...** 39	31.35	50
12.5	E135 RS 125 ...** 39	31.35	50



Schlüter®-RONDEC-STEP-AC/E 90°

90° external corner, solid aluminium

H (mm)	Art. No.	€ / U.	P (Unit)
8	E90 RS 80 ...* 39	30.24	50
10	E90 RS 100 ...* 39	30.24	50
12.5	E90 RS 125 ...* 39	30.24	50

Schlüter®-RONDEC-STEP-AC/E 135°

135° external corner, solid aluminium

H (mm)	Art. No.	€ / U.	P (Unit)
8	E135 RS 80 ...* 39	30.24	50
10	E135 RS 100 ...* 39	30.24	50
12.5	E135 RS 125 ...* 39	30.24	50



Schlüter®-RONDEC-STEP/I 90°

90° internal corner

H (mm)	Art. No.	€ / U.	P (Unit)
8	I90 RS 80 ...** 39	31.35	50
10	I90 RS 100 ...** 39	31.35	50
12.5	I90 RS 125 ...** 39	31.35	50

Schlüter®-RONDEC-STEP/I 135°

135° internal corner

H (mm)	Art. No.	€ / U.	P (Unit)
8	I135 RS 80 ...** 39	31.35	50
10	I135 RS 100 ...** 39	31.35	50
12.5	I135 RS 125 ...** 39	31.35	50



Schlüter®-RONDEC-STEP-AC/I 90°

90° internal corner, solid aluminium

H (mm)	Art. No.	€ / U.	P (Unit)
8	I90 RS 80 ...* 39	30.24	50
10	I90 RS 100 ...* 39	30.24	50
12.5	I90 RS 125 ...* 39	30.24	50

Schlüter®-RONDEC-STEP-AC/I 135°

135° internal corner, solid aluminium

H (mm)	Art. No.	€ / U.	P (Unit)
8	I135 RS 80 ...* 39	30.24	50
10	I135 RS 100 ...* 39	30.24	50
12.5	I135 RS 125 ...* 39	30.24	50

To complete the art. no., add the finish/colour (e.g. I135 RS 80 MBW 39)



* Finishes/colours: BW - MBW - MGS

** Finishes/colours: ACGB - AE

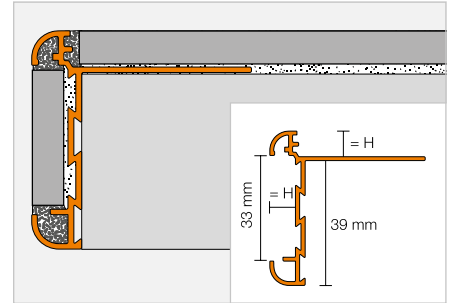
For an overview of finishes and colours, please see page 342.

Finishing profile

Schlüter®-RONDEC-STEP-CT



Schlüter-RODEC-STEP-CT is an edge profile for countertops or shelves with tile coverings. The open face area of the profile can reflect the colour of the surface and is also suitable for holding other decorative elements. (Product data sheet 2.8)



Schlüter®-RONDEC-STEP-CT-AE

anodised aluminium

H (mm)	L = 2.50 m Art. No.	€ / m	KV (Unit)
8	RC 80 AE 39	45.95	60
10	RC 100 AE 39	46.98	60
12.5	RC 125 AE 39	47.93	60

Schlüter®-RONDEC-STEP-CT-ACGB

brushed chrome anodised aluminium

H (mm)	L = 2.50 m Art. No.	€ / m	KV (Unit)
8	RC 80 ACGB 39	49.80	60
10	RC 100 ACGB 39	50.80	60
12.5	RC 125 ACGB 39	51.76	60

Corner

Schlüter®-RONDEC-STEP-CT/E 90°

90° external corner

H (mm)	Art. No.	€ / U.	P (Unit)
8	E90 RC 80 ...* 39	31.35	10
10	E90 RC 100 ...* 39	31.35	10
12.5	E90 RC 125 ...* 39	31.35	10

Schlüter®-RONDEC-STEP-CT/E 135°

135° external corner

H (mm)	Art. No.	€ / U.	P (Unit)
8	E135 RC 80 ...* 39	31.35	10
10	E135 RC 100 ...* 39	31.35	10
12.5	E135 RC 125 ...* 39	31.35	10



Schlüter®-RONDEC-STEP-CT/I 90°

90° internal corner

H (mm)	Art. No.	€ / U.	P (Unit)
8	I90 RC 80 ...* 39	31.35	10
10	I90 RC 100 ...* 39	31.35	10
12.5	I90 RC 125 ...* 39	31.35	10

Schlüter®-RONDEC-STEP-CT/I 135°

135° internal corner

H (mm)	Art. No.	€ / U.	P (Unit)
8	I135 RC 80 ...* 39	31.35	10
10	I135 RC 100 ...* 39	31.35	10
12.5	I135 RC 125 ...* 39	31.35	10



To complete the art. no., add the finish (e.g. I135 RC 80 AE 39)

* Finishes: ACGB - AE

For an overview of finishes and colours, please see page 342.



Finishing profile | corner | connector

Schlüter®-SCHIENE-STEP-EB



Schlüter-SCHIENE-STEP-EB is a high-quality finishing profile made of brushed stainless steel. Thanks to its variable geometry, this profile can be used for a number of applications such as countertops, stair steps, or to finish "tile on tile" restoration projects. (Product data sheet 2.15)

Profile height H1 = 11 mm

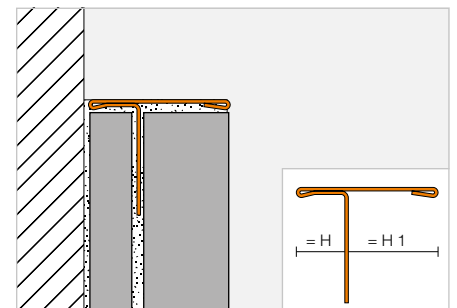


Schlüter®-SCHIENE-STEP-EB



brushed stainless steel V2A, H1 = 11 mm

H (mm)	L = 2.50 m Art. No.	€ / m	KV (Unit)
6	SS 60 EB 11	38.12	60
12.5	SS 125 EB 11	39.16	60



Schlüter®-SCHIENE-STEP-EB/V

connector,
brushed stainless steel V2A

H (mm)	Art. No.	€ / U.	P (Unit)
6	V / SS 60 EB 11	15.25	50
12.5	V / SS 125 EB 11	15.25	50



V / SS EB

Profile height H1 = 30 mm

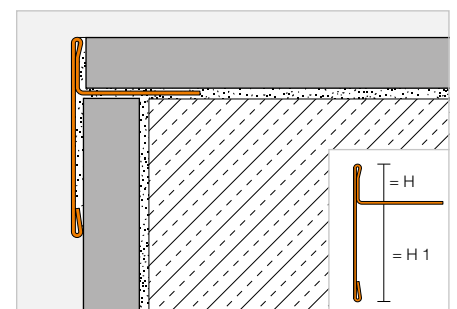


Schlüter®-SCHIENE-STEP-EB



brushed stainless steel V2A, H1 = 30 mm

H (mm)	L = 2.50 m Art. No.	€ / m	KV (Unit)
9	SS 90 EB 30	42.62	60
11	SS 110 EB 30	43.68	60
12.5	SS 125 EB 30	44.68	60



Schlüter®-SCHIENE-STEP-EB/E 90°

90° external corner,
brushed stainless steel V2A

H (mm)	Art. No.	€ / U.	P (Unit)
9	E90 / SS 90 EB 30	17.33	50
11	E90 / SS 110 EB 30	17.33	50
12.5	E90 / SS 125 EB 30	17.33	50

Schlüter®-SCHIENE-STEP-EB/V

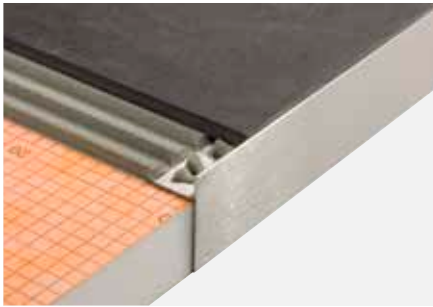
connector,
brushed stainless steel V2A

H (mm)	Art. No.	€ / U.	P (Unit)
9	V / SS 90 EB 30	15.25	50
11	V / SS 110 EB 30	15.25	50
12.5	V / SS 125 EB 30	15.25	50

Note:

90° external corner can also function as an end cap.

Profile height H1 = 39 mm

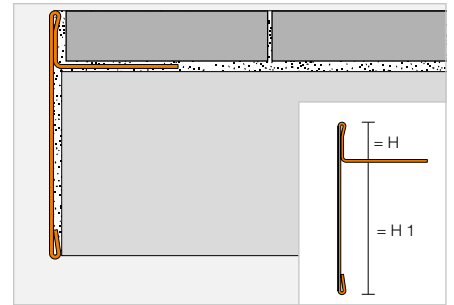


Schlüter®-SCHIENE-STEP-EB



brushed stainless steel V2A, H1 = 39 mm

H (mm)	L = 2.50 m Art. No.	€ / m	KV (Unit)
6	SS 60 EB 39	51.28	60
9	SS 90 EB 39	53.35	60
11	SS 110 EB 39	54.40	60
12.5	SS 125 EB 39	56.14	60



Schlüter®-SCHIENE-STEP-EB/E 90°

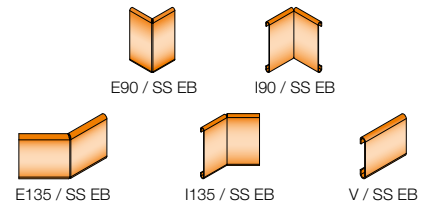
90° external corner, brushed stainless steel V2A

H (mm)	Art. No.	€ / U.	P (Unit)
6	E90 / SS 60 EB 39	17.33	50
9	E90 / SS 90 EB 39	17.33	50
11	E90 / SS 110 EB 39	17.33	50
12.5	E90 / SS 125 EB 39	17.33	50

Schlüter®-SCHIENE-STEP-EB/I 90°

90° internal corner, brushed stainless steel V2A

H (mm)	Art. No.	€ / U.	P (Unit)
6	I90 / SS 60 EB 39	17.33	50
9	I90 / SS 90 EB 39	17.33	50
11	I90 / SS 110 EB 39	17.33	50
12.5	I90 / SS 125 EB 39	17.33	50



Schlüter®-SCHIENE-STEP-EB/E 135°

135° external corner, brushed stainless steel V2A

H (mm)	Art. No.	€ / U.	P (Unit)
6	E135 / SS 60 EB 39	17.33	50
9	E135 / SS 90 EB 39	17.33	50
11	E135 / SS 110 EB 39	17.33	50
12.5	E135 / SS 125 EB 39	17.33	50

Schlüter®-SCHIENE-STEP-EB/I 135°

135° internal corner, brushed stainless steel V2A

H (mm)	Art. No.	€ / U.	P (Unit)
6	I135 / SS 60 EB 39	17.33	50
9	I135 / SS 90 EB 39	17.33	50
11	I135 / SS 110 EB 39	17.33	50
12.5	I135 / SS 125 EB 39	17.33	50

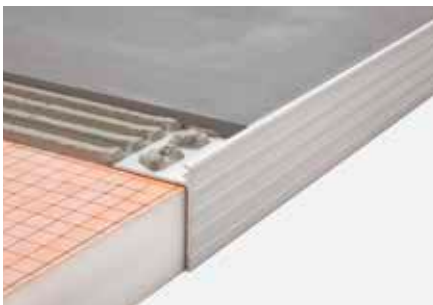
Schlüter®-SCHIENE-STEP-EB/V

connector, brushed stainless steel V2A

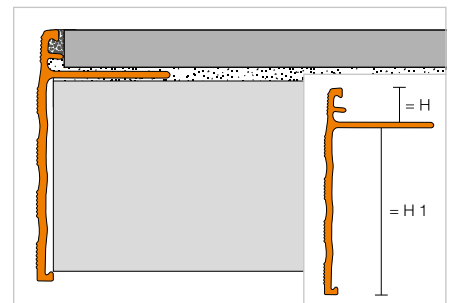
H (mm)	Art. No.	€ / U.	P (Unit)
6	V / SS 60 EB 39	15.25	50
9	V / SS 90 EB 39	15.25	50
11	V / SS 110 EB 39	15.25	50
12.5	V / SS 125 EB 39	15.25	50

Finishing profile

Schlüter®-SCHIENE-STEP



Schlüter-SCHIENE-STEP is an edge profile for countertops or shelves with tile coverings. (Product data sheet 2.15)



Schlüter®-SCHIENE-STEP-AE

anodised aluminium, H1 = 30 mm

H (mm)	L = 2.50 m Art. No.	€ / m	KV (Unit)
8	SS 80 AE 30	27.21	60
10	SS 100 AE 30	27.66	60
12.5	SS 125 AE 30	28.48	60
15	SS 150 AE 30	29.23	60

Schlüter®-SCHIENE-STEP-AE

anodised aluminium, H1 = 39 mm

H (mm)	L = 2.50 m Art. No.	€ / m	KV (Unit)
8	SS 80 AE 39	27.96	60
10	SS 100 AE 39	28.37	60
12.5	SS 125 AE 39	29.23	60
15	SS 150 AE 39	29.70	60



Schlüter-profiles

Stair nosing profiles

The edges of stairs are exposed to heavy mechanical stresses and represent a high risk for injuries. Schlüter-TREP profiles, which can also be retrofitted, are a safety enhancement because of their slip-resistant design and excellent visibility. They protect the edges of stairs from damage to keep stair tile coverings intact. Schlüter-TREP profiles are ideally suited for combination with the Schlüter-LIPROTEC illuminated profile technology.





Stair nosing profiles

Schlüter®-TREP-V	117
Schlüter®-TREP-S/-B	118
Schlüter®-TREP-E	119
Schlüter®-TREP-G/-GL	120
Schlüter®-TREP-FL	121

Stair nosing profiles for retrofit installation

Schlüter®-TREP-EK	123
Schlüter®-TREP-EFK	123
Schlüter®-TREP-GK/-GLK	124

Installation adhesive

Schlüter®-KERDI-FIX	125
---------------------	-----



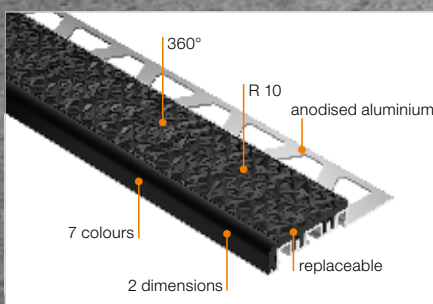
Schlüter®-TREP-V

Design and function in harmony

Schlüter-TREP-V combines the latest developments in slip resistant products with the recommendations of current guidelines. With a slip resistance class of R 10 according to DIN EN 16165, TREP-V enables safe use of staircases and can be used in all dry, interior areas.

The colours and light refraction of the patented, replaceable treads are designed to create an optimum visual contrast to popular tile colours.

TREP-V is available in two convenient dimensions and a broad colour selection for appealing and compliant design of staircases.

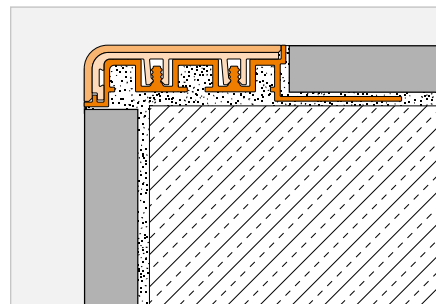


Stair nosing profile

Schlüter®-TREP-V



Schlüter-TREP-V is an aluminium stair nosing profile with a replaceable thermoplastic slip resistant tread. The treads are available in a wide range of colours to ensure the necessary contrast to the adjoining tile floor covering. The profile is available either with a narrow (TREP-V 42) or a wide (TREP-V 60) tread. (Product data sheet 3.6)



Schlüter®-TREP-V 42

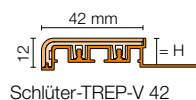
support profile (42 mm / 12 mm), anodised aluminium, R 10

H (mm)	L = 3.00 m Art. No.	€ / m	KV (Unit)
9	TVL 42 ...* 90/300	28.19	60
11	TVL 42 ...* 110/300	29.21	60
12.5	TVL 42 ...* 125/300	30.24	60
L = 2.00 m			
9	TVL 42 ...* 90/200	28.19	60
11	TVL 42 ...* 110/200	29.21	60
12.5	TVL 42 ...* 125/200	30.24	60
L = 1.50 m			
9	TVL 42 ...* 90/150	28.19	60
11	TVL 42 ...* 110/150	29.21	60
12.5	TVL 42 ...* 125/150	30.24	60
L = 1.00 m			
9	TVL 42 ...* 90/100	28.19	60
11	TVL 42 ...* 110/100	29.21	60
12.5	TVL 42 ...* 125/100	30.24	60

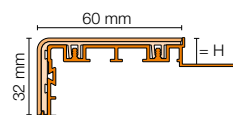
Schlüter®-TREP-V 60

support profile (60 mm / 32 mm), anodised aluminium, R 10

H (mm)	L = 3.00 m Art. No.	€ / m	KV (Unit)
9	TVL 60 ...* 90/300	37.41	60
11	TVL 60 ...* 110/300	38.95	60
12.5	TVL 60 ...* 125/300	40.49	60
L = 2.00 m			
9	TVL 60 ...* 90/200	37.41	60
11	TVL 60 ...* 110/200	38.95	60
12.5	TVL 60 ...* 125/200	40.49	60
L = 1.50 m			
9	TVL 60 ...* 90/150	37.41	60
11	TVL 60 ...* 110/150	38.95	60
12.5	TVL 60 ...* 125/150	40.49	60
L = 1.00 m			
9	TVL 60 ...* 90/100	37.41	60
11	TVL 60 ...* 110/100	38.95	60
12.5	TVL 60 ...* 125/100	40.49	60



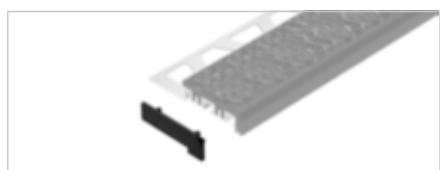
Schlüter-TREP-V 42



Schlüter-TREP-V 60

Note:
R 10 = Slip resistance class according to DIN EN 16165

End cap



Schlüter®-TREP-V 42/EK

PVC end cap, left and right

Art. No.	€ / Set	P (Unit)
E / TV 42 ...*	3.90	50



Schlüter®-TREP-V 60/EK

PVC end cap, left and right

Art. No.	€ / Set	P (Unit)
E / TV 60 ...*	4.61	50

Accessories for TREP-V



Schlüter®-TREP-V 42/EL

spare part: insert (42 mm / 12 mm), R 10

L = 3.00 m Art. No.	€ / m	P (Unit)
TVL 42 ...*/300	8.71	60
L = 2.00 m		
TVL 42 ...*/200	8.71	60

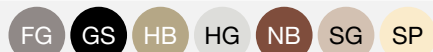
Schlüter®-TREP-V 60/EL

spare part: insert (60 mm / 32 mm), R 10

L = 3.00 m Art. No.	€ / m	P (Unit)
TVL 60 ...*/300	12.30	60
L = 2.00 m		
TVL 60 ...*/200	12.30	60



To complete the art. no., add the colour (e.g. TVL 60 GS/300)



* Colours: FG - GS - HB - HG - NB - SG - SP

For an overview of finishes and colours, please see page 342.



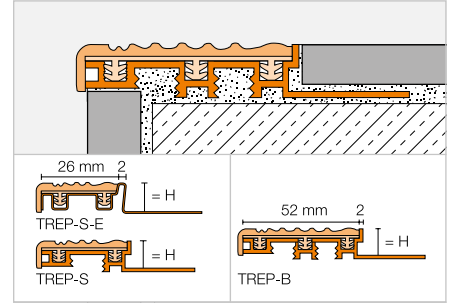
Stair nosing profile

Schlüter®-TREP-S/-B



Schlüter-TREP-S/-B are aluminium or stainless steel stair nosing profiles with a replaceable thermoplastic tread. They are available with a wide (TREP-B) or narrow (TREP-S) tread.

(Product data sheet 3.2)



Schlüter®-TREP-B

wide aluminium support profile (52 mm), R 9

H (mm)	L = 2.50 m Art. No.	€ / m	KV (Unit)
8	...* 8 B	28.38	60
10	...* 10 B	30.10	60
12.5	...* 12 B	31.44	60
15	...* 15 B	33.16	60
25	...* 25 B	33.95	60
L = 1.50 m			
8	...* 8 B/150	28.38	60
10	...* 10 B/150	30.10	60
12.5	...* 12 B/150	31.44	60
15	...* 15 B/150	33.16	60
25	...* 25 B/150	33.95	60
L = 1.00 m			
8	...* 8 B/100	29.30	60
10	...* 10 B/100	31.06	60
12.5	...* 12 B/100	32.44	60
15	...* 15 B/100	34.10	60
25	...* 25 B/100	34.87	60

Schlüter®-TREP-S

narrow aluminium support profile (26 mm), R 9

H (mm)	L = 2.50 m Art. No.	€ / m	KV (Unit)
8	...* 8 S	20.35	60
10	...* 10 S	20.93	60
12.5	...* 12 S	21.80	60
L = 1.50 m			
8	...* 8 S/150	20.35	60
10	...* 10 S/150	20.93	60
12.5	...* 12 S/150	21.80	60
L = 1.00 m			
8	...* 8 S/100	21.42	60
10	...* 10 S/100	21.91	60
12.5	...* 12 S/100	22.73	60

Note:

R 9 = Slip resistance class according to DIN 51 130

Schlüter®-TREP-S-E

narrow stainless steel support profile V2A (26 mm), R 9

H (mm)	L = 2.50 m Art. No.	€ / m	KV (Unit)
8	...* 8 SE	28.50	60
10	...* 10 SE	29.38	60
12.5	...* 12 SE	30.23	60
L = 1.50 m			
8	...* 8 SE/150	28.50	60
10	...* 10 SE/150	29.38	60
12.5	...* 12 SE/150	30.23	60
L = 1.00 m			
8	...* 8 SE/100	29.54	60
10	...* 10 SE/100	30.32	60
12.5	...* 12 SE/100	31.32	60

Schlüter®-TREP-TAP

cover profile

B (mm)	L = 2.50 m Art. No.	€ / m	KV (Unit)
50	TAP 50 AE	14.74	60
L = 1.50 m			
50	TAP 50 AE/150	14.74	60
L = 1.00 m			
50	TAP 50 AE/100	14.74	60

Schlüter®-TREP-TAP-R

cover profile for riser, grooved

B (mm)	L = 2.50 m Art. No.	€ / m	KV (Unit)
61	TAP R61 AE	15.34	60
L = 1.50 m			
61	TAP R61 AE/150	15.34	60

Accessories for TREP-B

Schlüter®-TREP-B/EK

end cap, wide (52 mm)

Art. No.	€ / U.	P (Unit)
E 52 / ...*	2.15	50

Schlüter®-TREP-B/EL

spare part: wide insert (52 mm)

L = 2.50 m Art. No.	€ / m	KV (Unit)
PE 52 / ...*	7.87	60

Accessories for TREP-S/-S-E

Schlüter®-TREP-S/EK

end cap, narrow (26 mm)

Art. No.	€ / U.	P (Unit)
E 26 / ...*	1.30	50

Schlüter®-TREP-S/EL

spare part: narrow insert (26 mm)

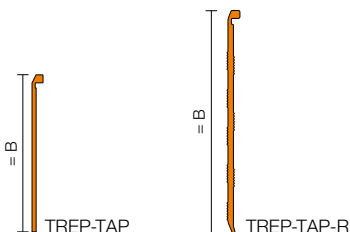
L = 2.50 m Art. No.	€ / m	KV (Unit)
PE 26 / ...*	6.67	60



To complete the art. no., add the colour (e.g. PE 26 / HB)



* Colours: CG - G - GS - HB - NB

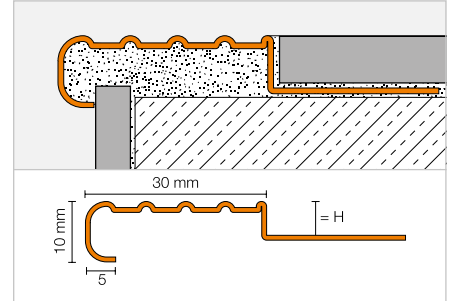


Stair nosing profile

Schlüter®-TREP-E



Schlüter-TREP-E is a stainless steel stair nosing profile with an anti-slip surface.
(Product data sheet 3.3)



Schlüter®-TREP-E

stainless steel V2A, R 10 V 6

H (mm)	L = 2.50 m Art. No.	€ / m	KV (Unit)
2	TE 20	18.59	60
3	TE 30	18.81	60
5	TE 50	19.19	60
8	TE 80	19.75	60
11	TE 110	20.37	60
13	TE 130	20.86	60
16	TE 160	21.37	60
25	TE 250	23.18	60

Schlüter®-TREP-E

stainless steel V2A, R 10 V 6

H (mm)	L = 1.50 m Art. No.	€ / m	KV (Unit)
2	TE 20/150	18.59	60
3	TE 30/150	18.81	60
5	TE 50/150	19.19	60
8	TE 80/150	19.75	60
11	TE 110/150	20.37	60
13	TE 130/150	20.86	60
16	TE 160/150	21.37	60
25	TE 250/150	23.18	60

Schlüter®-TREP-E

stainless steel V2A, R 10 V 6

H (mm)	L = 1.00 m Art. No.	€ / m	KV (Unit)
2	TE 20/100	19.58	60
3	TE 30/100	19.75	60
5	TE 50/100	20.14	60
8	TE 80/100	20.73	60
11	TE 110/100	21.37	60
13	TE 130/100	21.82	60
16	TE 160/100	22.42	60
25	TE 250/100	24.17	60

Schlüter®-TREP-E V4A

stainless steel V4A, R 10 V 6

H (mm)	L = 2.50 m Art. No.	€ / m	KV (Unit)
8	TE 80/V4A	21.74	60
11	TE 110/V4A	22.39	60
13	TE 130/V4A	22.96	60
16	TE 160/V4A	23.47	60

Schlüter®-TREP-E V4A

stainless steel V4A, R 10 V 6

H (mm)	L = 1.50 m Art. No.	€ / m	KV (Unit)
8	TE 80/150/V4A	21.74	60
11	TE 110/150/V4A	22.39	60
13	TE 130/150/V4A	22.96	60
16	TE 160/150/V4A	23.47	60

Schlüter®-TREP-E V4A

stainless steel V4A, R 10 V 6

H (mm)	L = 1.00 m Art. No.	€ / m	KV (Unit)
8	TE 80/100/V4A	22.82	60
11	TE 110/100/V4A	23.47	60
13	TE 130/100/V4A	23.90	60
16	TE 160/100/V4A	24.67	60

End cap

Schlüter®-TREP-E V4A/EK

end cap, stainless steel V4A

Art. No.	€ / U.	P (Unit)
E / TE	2.62	50



Schlüter®-TREP-E V4A/EK

Can also be used with V2A profiles.

Note:

R 10 V 6 = Slip resistance class according to DIN 51 130
For 3 metre length, add "/300" to art. no. (e.g. TE 80/300).

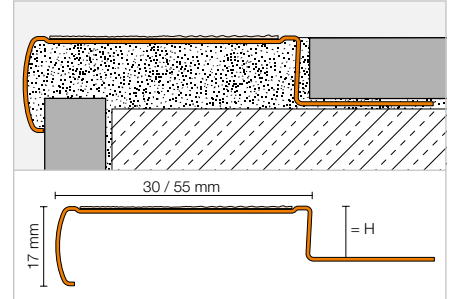


Stair nosing profile

Schlüter®-TREP-G/-GL



Schlüter-TREP-G is a stair nosing profile made of brushed stainless steel with an adhered, anti-slip tread.
(Product data sheet 3.5)



Schlüter®-TREP-G-B

brushed stainless steel V2A, wide (55 mm), R 11

H (mm)	L = 2.50 m Art. No.	€ / m	KV (Unit)
9	GB EB 90 ...*	55.56	60
11	GB EB 110 ...*	57.94	60
13	GB EB 130 ...*	60.32	60
15	GB EB 150 ...*	63.09	60
L = 1.50 m			
9	GB EB 90 ...*/150	55.56	60
11	GB EB 110 ...*/150	57.94	60
13	GB EB 130 ...*/150	60.32	60
15	GB EB 150 ...*/150	63.09	60
L = 1.00 m			
9	GB EB 90 ...*/100	56.73	60
11	GB EB 110 ...*/100	59.14	60
13	GB EB 130 ...*/100	61.52	60
15	GB EB 150 ...*/100	65.86	60

Schlüter®-TREP-G-S

brushed stainless steel V2A, narrow (30 mm), R 11

H (mm)	L = 2.50 m Art. No.	€ / m	KV (Unit)
9	GS EB 90 ...*	44.44	60
11	GS EB 110 ...*	46.82	60
13	GS EB 130 ...*	49.59	60
15	GS EB 150 ...*	51.58	60
L = 1.50 m			
9	GS EB 90 ...*/150	44.44	60
11	GS EB 110 ...*/150	46.82	60
13	GS EB 130 ...*/150	49.59	60
15	GS EB 150 ...*/150	51.58	60
L = 1.00 m			
9	GS EB 90 ...*/100	45.62	60
11	GS EB 110 ...*/100	48.03	60
13	GS EB 130 ...*/100	50.79	60
15	GS EB 150 ...*/100	52.77	60

Accessories for TREP-G-B

Schlüter®-TREP-G-B/EK

end cap, wide

Art. No.	€ / U.	P (Unit)
E/GB EB	3.33	50

Schlüter®-TREP-G-B/KB

spare part: self adhesive tape, wide, R 11

44 mm x 18.3 m Art. No.	€ / m	P (Roll)
GB KB 183 ...*	10.41	60

Schlüter®-TREP-GL-B/KB

spare part: self adhesive tape, wide, R 10

44 mm x 6 m Art. No.	€ / m	P (Roll)
GLB KB 60 ...*	11.76	60

Schlüter®-TREP-GL-B

brushed stainless steel V2A, wide (55 mm), R 10

H (mm)	L = 2.50 m Art. No.	€ / m	KV (Unit)
9	GLB EB 90 ...*	55.56	60
11	GLB EB 110 ...*	57.94	60
13	GLB EB 130 ...*	60.32	60
15	GLB EB 150 ...*	63.09	60
L = 1.50 m			
9	GLB EB 90 ...*/150	55.56	60
11	GLB EB 110 ...*/150	57.94	60
13	GLB EB 130 ...*/150	60.32	60
15	GLB EB 150 ...*/150	63.09	60
L = 1.00 m			
9	GLB EB 90 ...*/100	56.73	60
11	GLB EB 110 ...*/100	59.14	60
13	GLB EB 130 ...*/100	61.52	60
15	GLB EB 150 ...*/100	65.86	60

Schlüter®-TREP-GL-S

brushed stainless steel V2A, narrow (30 mm), R 10

H (mm)	L = 2.50 m Art. No.	€ / m	KV (Unit)
9	GLS EB 90 ...*	44.44	60
11	GLS EB 110 ...*	46.82	60
13	GLS EB 130 ...*	49.59	60
15	GLS EB 150 ...*	51.58	60
L = 1.50 m			
9	GLS EB 90 ...*/150	44.44	60
11	GLS EB 110 ...*/150	46.82	60
13	GLS EB 130 ...*/150	49.59	60
15	GLS EB 150 ...*/150	51.58	60
L = 1.00 m			
9	GLS EB 90 ...*/100	45.62	60
11	GLS EB 110 ...*/100	48.03	60
13	GLS EB 130 ...*/100	50.79	60
15	GLS EB 150 ...*/100	52.77	60

Accessories for TREP-G-S

Schlüter®-TREP-G-S/EK

end cap, narrow

Art. No.	€ / U.	P (Unit)
E/GS EB	2.94	50

Schlüter®-TREP-G-S/KB

spare part: self adhesive tape, narrow, R 11

19 mm x 18.3 m Art. No.	€ / m	P (Roll)
GS KB 183 ...*	6.94	60

Schlüter®-TREP-GL-S/KB

spare part: self adhesive tape, narrow, R 10

19 mm x 6 m Art. No.	€ / m	P (Roll)
GLS KB 60 ...*	8.18	60

Note:

R 10 / R 11 = Slip resistance class according to DIN 51 130

To complete the art. no., add the colour
(e.g. GLS KB 60 T)



* Colours: GS - T



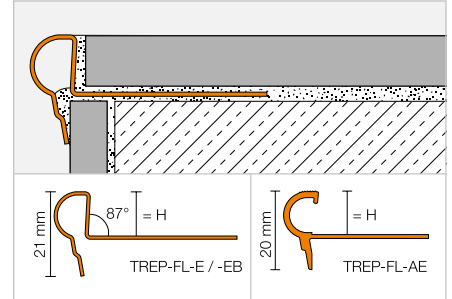
Stair nosing profile

Schlüter®-TREP-FL



Schlüter-TREP-FL is a stair nosing profile in florentine design made of aluminium with a special anti-slip tread or stainless steel to create safe and attractive stair treads. It is designed for stairs with tile or natural stone coverings.

(Product data sheet 3.4)



Schlüter®-TREP-FL-AE

anodised aluminium

H (mm)	L = 2.50 m Art. No.	€ / m	KV (Unit)
9	FL 90 AE	16.94	60
11	FL 110 AE	16.94	60
12.5	FL 125 AE	16.94	60
	L = 1.50 m		
9	FL 90 AE/150	16.94	60
11	FL 110 AE/150	16.94	60
12.5	FL 125 AE/150	16.94	60
	L = 1.00 m		
9	FL 90 AE/100	17.75	60
11	FL 110 AE/100	17.75	60
12.5	FL 125 AE/100	17.75	60

Schlüter®-TREP-FL-E

stainless steel V2A

H (mm)	L = 2.50 m Art. No.	€ / m	KV (Unit)
9	FL 90 E	22.82	60
11	FL 110 E	22.82	60
12.5	FL 125 E	22.82	60
	L = 1.50 m		
9	FL 90 E/150	22.82	60
11	FL 110 E/150	22.82	60
12.5	FL 125 E/150	22.82	60
	L = 1.00 m		
9	FL 90 E/100	23.64	60
11	FL 110 E/100	23.64	60
12.5	FL 125 E/100	23.64	60

Schlüter®-TREP-FL-EB

brushed stainless steel V2A

H (mm)	L = 2.50 m Art. No.	€ / m	KV (Unit)
9	FL 90 EB	28.53	60
11	FL 110 EB	28.53	60
12.5	FL 125 EB	28.53	60
	L = 1.50 m		
9	FL 90 EB/150	28.53	60
11	FL 110 EB/150	28.53	60
12.5	FL 125 EB/150	28.53	60
	L = 1.00 m		
9	FL 90 EB/100	29.48	60
11	FL 110 EB/100	29.48	60
12.5	FL 125 EB/100	29.48	60

For 3 metre length, add "/300" to art. no. (e.g. FL 90 AE/300).

End cap

Schlüter®-TREP-FL-AE/EK

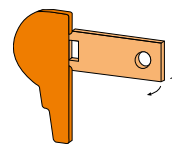
end cap, anodised aluminium

Art. No.	€ / U.	P (Unit)
E / FL AE	2.55	50

Schlüter®-TREP-FL-EB/EK*

end cap, brushed stainless steel V2A

Art. No.	€ / U.	P (Unit)
E / FL EB	2.62	50



* Suitable for Schlüter-TREP-FL-E and -EB.

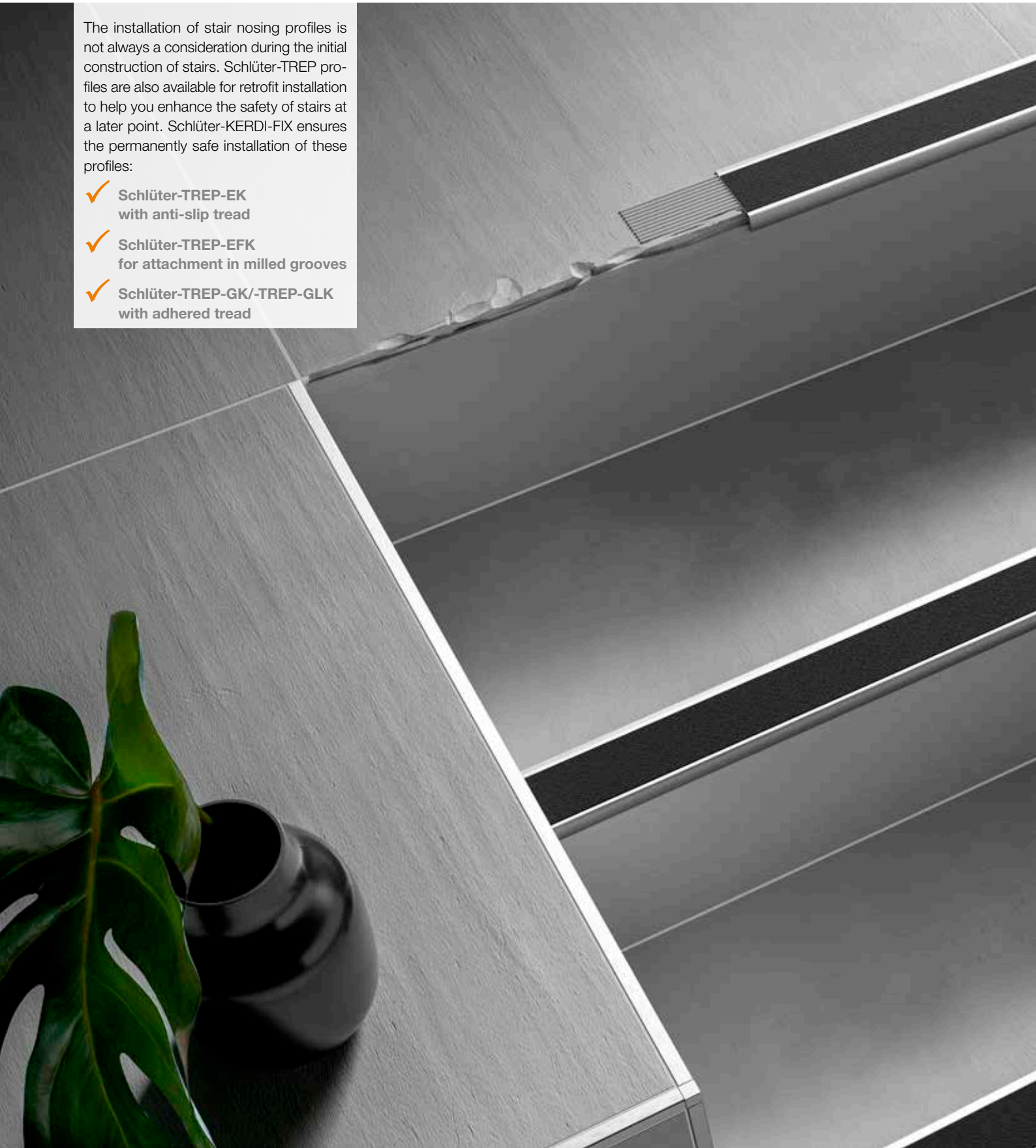


Schlüter®-TREP

Safety can be retrofitted

The installation of stair nosing profiles is not always a consideration during the initial construction of stairs. Schlüter-TREP profiles are also available for retrofit installation to help you enhance the safety of stairs at a later point. Schlüter-KERDI-FIX ensures the permanently safe installation of these profiles:

- ✓ **Schlüter-TREP-EK**
with anti-slip tread
- ✓ **Schlüter-TREP-EFK**
for attachment in milled grooves
- ✓ **Schlüter-TREP-GK/-TREP-GLK**
with adhered tread

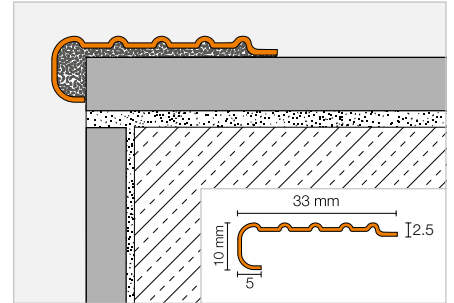


Stair nosing profile

Schlüter®-TREP-EK



Schlüter-TREP-EK is a stainless steel stair nosing profile with a special anti-slip tread to create safe and attractive stair treads. It can be retrofitted to steps with tile or natural stone coverings.
(Product data sheet 3.3)



Schlüter®-TREP-EK

stainless steel V2A, R 10 V 6

L = 2.50 m Art. No.	€ / m	KV (Unit)
TEK	17.78	60

Schlüter®-TREP-EK

stainless steel V2A, R 10 V 6

L = 1.50 m Art. No.	€ / m	KV (Unit)
TEK/150	17.78	60

Schlüter®-TREP-EK

stainless steel V2A, R 10 V 6

L = 1.00 m Art. No.	€ / m	KV (Unit)
TEK/100	18.72	60

Note:

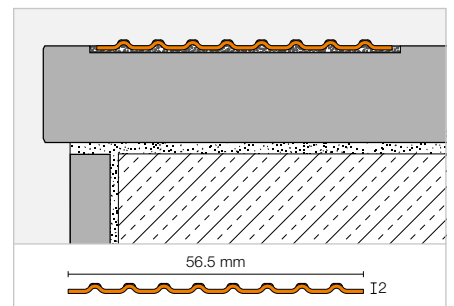
R 10 V 6 = Slip resistance class according to DIN 51 130

Stair nosing profile

Schlüter®-TREP-EFK



Schlüter-TREP-EFK is a stainless steel stair nosing profile with a special anti-slip tread to create safe and attractive stair treads. It can be adhered with installation adhesive in the corresponding milled grooves or retrofitted on stair steps.
(Product data sheet 3.3)



Schlüter®-TREP-EFK

stainless steel V4A, R 10 V 6

L = 2.50 m Art. No.	€ / m	KV (Unit)
TEF 56K/V4A	24.72	60

Note:

R 10 V 6 = Slip resistance class according to DIN 51 130

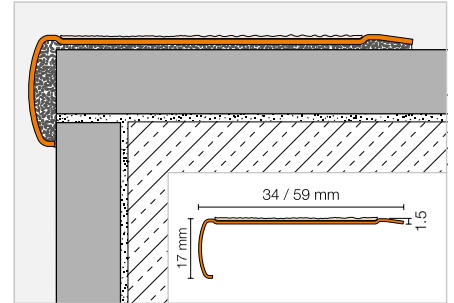


Stair nosing profile

Schlüter®-TREP-GK/-GLK



Schlüter-TREP-GK is a stair nosing profile made of brushed stainless steel with an adhered, anti-slip tread. It can be retrofitted to steps with tile or natural stone coverings. (Product data sheet 3.5)



Schlüter®-TREP-GK-B

brushed stainless steel V2A, wide (59 mm), R 11

L = 2.50 m Art. No.	€ / m	KV (Unit)
GB EBK ...*	47.62	60
L = 1.50 m		
GB EBK ...*/150	47.62	60
L = 1.00 m		
GB EBK ...*/100	48.81	60

Schlüter®-TREP-GK-S

brushed stainless steel V2A, narrow (34 mm), R 11

L = 2.50 m Art. No.	€ / m	KV (Unit)
GS EBK ...*	38.89	60
L = 1.50 m		
GS EBK ...*/150	38.89	60
L = 1.00 m		
GS EBK ...*/100	40.07	60

Accessories for TREP-GK-B

Schlüter®-TREP-G-B/KB

spare part: self adhesive tape, wide, R 11

44 mm x 18.3 m Art. No.	€ / m	P (Roll)
GB KB 183 ...*	10.41	60

Schlüter®-TREP-GL-B/KB

spare part: self adhesive tape, wide, R 10

44 mm x 6 m Art. No.	€ / m	P (Roll)
GLB KB 60 ...*	11.76	60

Schlüter®-TREP-GLK-B

brushed stainless steel V2A, wide (59 mm), R 10

L = 2.50 m Art. No.	€ / m	KV (Unit)
GLB EBK ...*	47.62	60
L = 1.50 m		
GLB EBK ...*/150	47.62	60
L = 1.00 m		
GLB EBK ...*/100	48.81	60

Schlüter®-TREP-GLK-S

brushed stainless steel V2A, narrow (34 mm), R 10

L = 2.50 m Art. No.	€ / m	KV (Unit)
GLS EBK ...*	38.89	60
L = 1.50 m		
GLS EBK ...*/150	38.89	60
L = 1.00 m		
GLS EBK ...*/100	40.07	60

Accessories for TREP-GK-S

Schlüter®-TREP-G-S/KB

spare part: self adhesive tape, narrow, R 11

19 mm x 18.3 m Art. No.	€ / m	P (Roll)
GS KB 183 ...*	6.94	60

Schlüter®-TREP-GL-S/KB

spare part: self adhesive tape, narrow, R 10

19 mm x 6 m Art. No.	€ / m	P (Roll)
GLS KB 60 ...*	8.18	60

Note:

R 10 / R 11 = Slip resistance class according to DIN 51 130

To complete the art. no., add the colour (e.g. GLS KB 60 T)



* Colours: GS - T

For an overview of finishes and colours, please see page 342.

Installation adhesive

Schlüter®-KERDI-FIX



Schlüter-KERDI-FIX is an MS polymer based elastic adhesive. It is suited for adjoining profiles and Schlüter-KERDI-BOARD as well as sealing the abutments and joint areas of Schlüter-KERDI waterproofing membrane sections.

(Product data sheet 8.3)



Schlüter®-KERDI-FIX

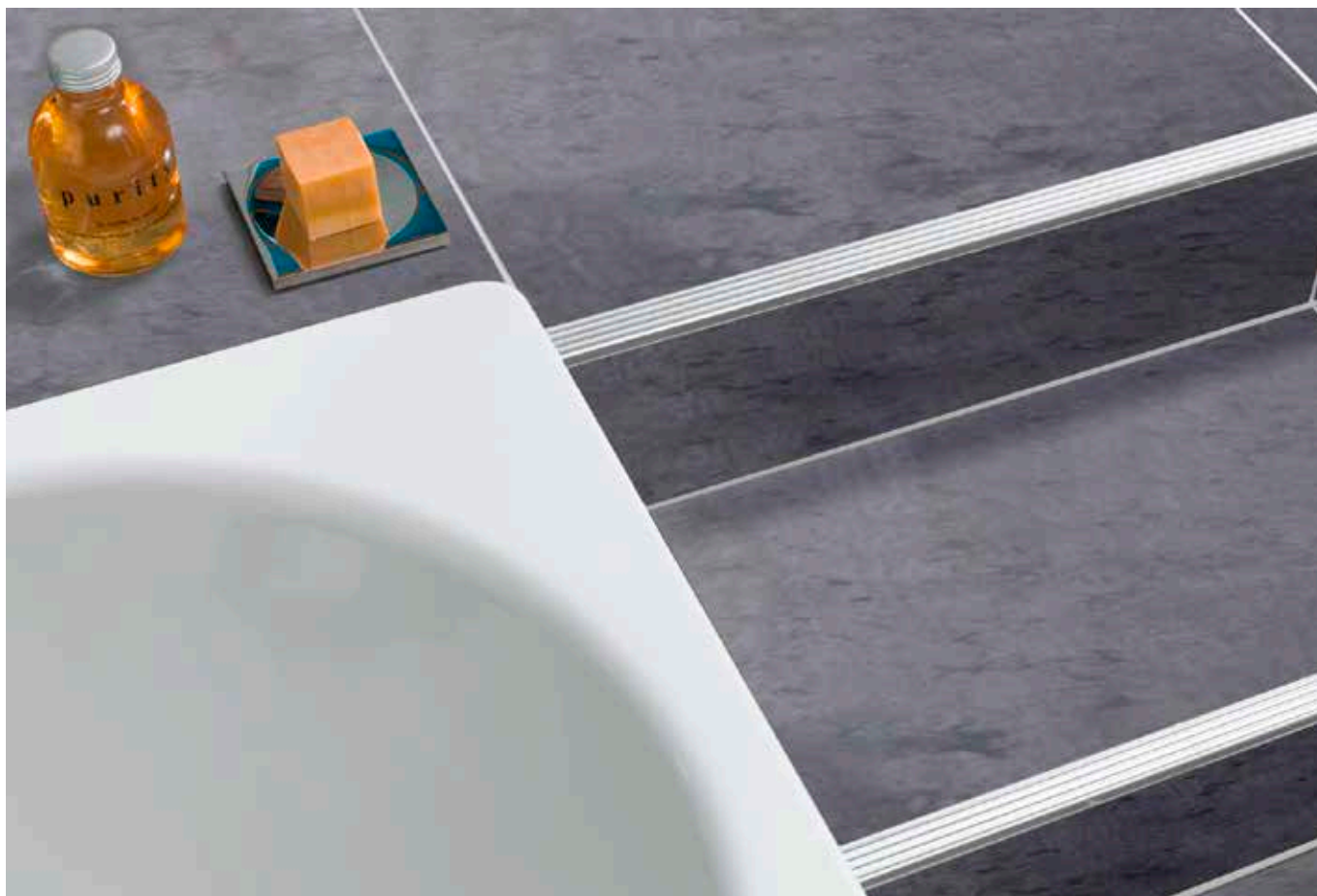
MS polymer adhesive

Fill volume (ml)	Art. No.	€ / U.	P (Unit)
290	KERDIFIX / BW	23.85	12
290	KERDIFIX / G	23.85	12

Colours:

BW = brilliant white

G = grey





Schlüter-profiles

Movement and control joint profiles

The profiles of our Schlüter-DILEX range offer maintenance-free and functional solutions for all relevant movement joints in tile coverings. The range includes profile types for movement joints and control joints, as well as edge and transition joints. All profiles are installed at the same time as the tile covering. Our DILEX profiles are available in various material combinations to match the anticipated mechanical or chemical stresses on the covering.



Movement joint profiles

Schlüter®-DILEX-EDP	128
Schlüter®-DILEX-KS	129
Schlüter®-DILEX-EKSB	130
Schlüter®-DILEX-AKWS	130
Schlüter®-DILEX-BWB	131
Schlüter®-DILEX-BWS	131
Schlüter®-DILEX-EMP	154
Schlüter®-DILEX-EP	156

Tension relief and decorative profiles

Schlüter®-DILEX-EZ 6 + 9	132
Schlüter®-DILEX-EZ 70	156

Structural movement profiles

Schlüter®-DILEX-BT	132
Schlüter®-DILEX-BTO	133
Schlüter®-DILEX-BTS	133
Schlüter®-DILEX-KSBT	134–135
Schlüter®-DILEX-BT/MT	136
Schlüter®-DILEX-BT/OT	136
Schlüter®-RENO-VT	136
Schlüter®-DILEX-BT/VTS	136

Joining profiles

Schlüter®-DILEX-KSA	138
Schlüter®-DILEX-BWA	139
Schlüter®-DILEX-AS	139

Corner joint profiles

Schlüter®-DILEX-EF	140
Schlüter®-DILEX-EKE	140

Edge joint profiles

Schlüter®-DILEX-RF	141
Schlüter®-DILEX-EK	142

Cove-shaped profiles

Schlüter®-DILEX-HK	143
Schlüter®-DILEX-HKW	144
Schlüter®-ECK-KHK	145
Schlüter®-DILEX-HKS	146
Schlüter®-DILEX-EHK	147
Schlüter®-DILEX-HKU	148–149
Schlüter®-DILEX-AHK-TS	150
Schlüter®-DILEX-AHK	151–152
Schlüter®-DILEX-AHKA	152–153

Expansion joint profiles

Schlüter®-DILEX-MP	155
Schlüter®-DILEX-MOP	155
Schlüter®-DILEX-DFP	157

Accessories

Schlüter®-DILEX-HVD	157
---------------------	-----



Schlüter®-DILEX

Control joint profiles

According to the recognised building standards, tile coverings must be divided into control joint grids. Schlüter-DILEX profiles are the perfect solution:

- ✓ Permanently maintenance-free
- ✓ Concurrent with tile installation
- ✓ Weatherproof and temperature-resistant
- ✓ Suitable for internal and external applications



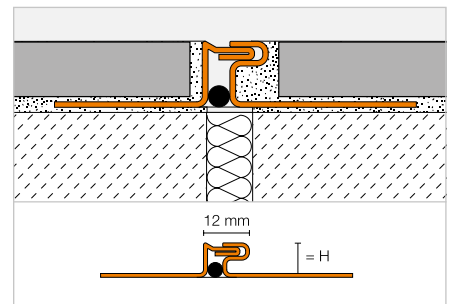
Movement joint profile

Schlüter®-DILEX-EDP



Schlüter-DILEX-EDP is a stainless steel movement joint profile, which absorbs horizontal movement through a tongue and groove connection.

(Product data sheet 4.16)



Schlüter®-DILEX-EDP

stainless steel V2A

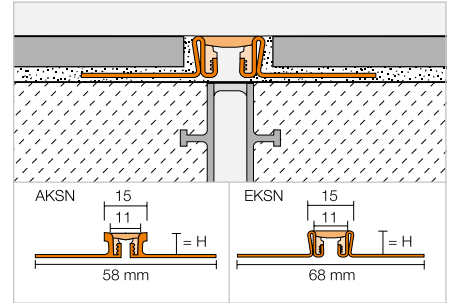
H (mm)	L = 2.50 m Art. No.	€ / m	KV (Unit)
8	EDP 80	39.82	40
9	EDP 90	40.43	40
10	EDP 100	40.80	40
11	EDP 110	41.21	40
12.5	EDP 125	41.89	40
14	EDP 140	42.45	40
16	EDP 160	43.43	40
18.5	EDP 185	44.55	40
21	EDP 210	45.54	40
25	EDP 250	47.34	40
30	EDP 300	49.49	40

Movement joint profile

Schlüter®-DILEX-KS



Schlüter-DILEX-KS is a movement profile with edge protection consisting of lateral anchoring legs made of aluminium or stainless steel, which are connected to a replaceable movement zone made of soft synthetic material. (Product data sheet 4.8)



Schlüter®-DILEX-AKSN

aluminium

H (mm)	L = 2.50 m Art. No.	€ / m	KV (Unit)
8	AKSN 80 ...*	21.23	40
10	AKSN 100 ...*	21.91	40
11	AKSN 110 ...*	22.27	40
12.5	AKSN 125 ...*	22.65	40
14	AKSN 140 ...*	23.68	40
16	AKSN 160 ...*	25.39	40

Schlüter®-DILEX-EKSN

stainless steel V2A

H (mm)	L = 2.50 m Art. No.	€ / m	KV (Unit)
8	EKSN 80 ...*	42.96	40
10	EKSN 100 ...*	43.43	40
11	EKSN 110 ...*	43.87	40
12.5	EKSN 125 ...*	44.83	40
14	EKSN 140 ...*	45.60	40
16	EKSN 160 ...*	46.87	40
18.5	EKSN 185 ...*	48.04	40
21	EKSN 210 ...*	49.29	40
25	EKSN 250 ...*	51.65	40
30	EKSN 300 ...*	53.93	40

Schlüter®-DILEX-EKSN V4A

stainless steel V4A

H (mm)	L = 2.50 m Art. No.	€ / m	KV (Unit)
8	EKSN 80 ...* / V4A	47.23	40
10	EKSN 100 ...* / V4A	47.82	40
11	EKSN 110 ...* / V4A	48.40	40
12.5	EKSN 125 ...* / V4A	49.29	40
14	EKSN 140 ...* / V4A	50.16	40
16	EKSN 160 ...* / V4A	51.54	40

Accessories

Schlüter®-DILEX-KS/EL

spare part: insert

L = 2.50 m Art. No.	€ / m	KV (Unit)
KSE / ...*	4.96	40



KS/EL

Schlüter®-DILEX-KS/K

cross joint insert (150 x 150 mm)

Art. No.	€ / U.	P (Unit)
KS EK / ...*	22.31	50

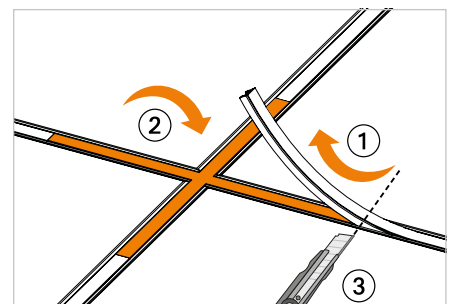
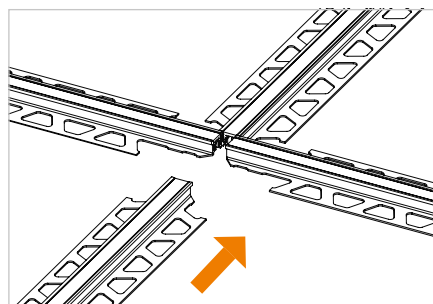
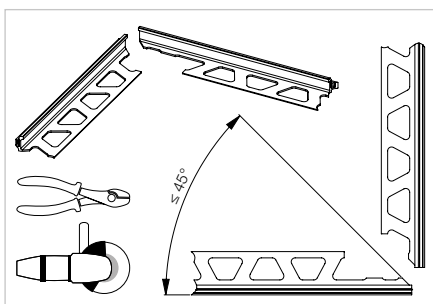


To complete the art. no., add the colour (e.g. KSE / PG)



* Colours: C - DA - FG - G - GS - HB - PG - SG

For an overview of finishes and colours, please see page 342.





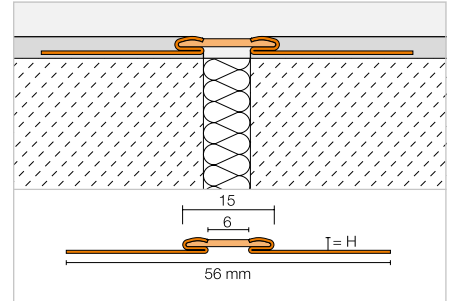
Movement joint profile

Schlüter®-DILEX-EKSB



Schlüter-DILEX-EKSB is a movement joint profile with edge protection for floor coatings and other thin floor coverings. It consists of lateral stainless steel anchoring legs that are connected to a fixed elastic insert of soft synthetic material.

(Product data sheet 4.8)



Schlüter®-DILEX-EKSB

stainless steel V2A

H (mm)	L = 2.50 m Art. No.	€ / m	KV (Unit)
2.5	EKSB 25 ...*	32.90	40
4.5	EKSB 45 ...*	34.42	40
6	EKSB 60 ...*	35.83	40

Schlüter®-DILEX-EKSB V4A

stainless steel V4A

H (mm)	L = 2.50 m Art. No.	€ / m	KV (Unit)
2.5	EKSB 25 ...* / V4A	36.15	40
4.5	EKSB 45 ...* / V4A	37.88	40
6	EKSB 60 ...* / V4A	39.40	40

To complete the art. no., add the colour (e.g. EKSB 25 HB / V4A)



* Colours: G - GS - HB - PG

For an overview of finishes and colours, please see page 342.

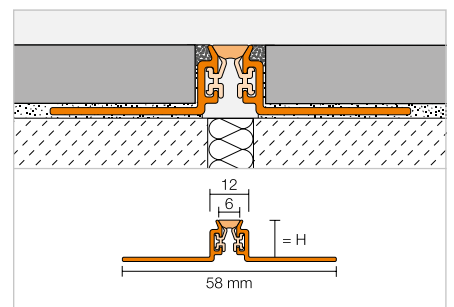
Movement joint profile

Schlüter®-DILEX-AKWS



Schlüter-DILEX-AKWS is a movement joint profile with lateral aluminium anchoring legs connected to a movement zone made of soft synthetic material.

(Product data sheet 4.18)



Schlüter®-DILEX-AKWS

aluminium

H (mm)	L = 2.50 m Art. No.	€ / m	KV (Unit)
8	AKWS 80 ...*	19.98	60
9	AKWS 90 ...*	20.35	60
10	AKWS 100 ...*	20.80	60
11	AKWS 110 ...*	21.00	60
12.5	AKWS 125 ...*	21.42	60
14	AKWS 140 ...*	21.80	60
16	AKWS 160 ...*	22.06	60
21	AKWS 210 ...*	22.85	60

To complete the art. no., add the colour (e.g. AKWS 80 PG)



* Colours: G - GS - HB - PG

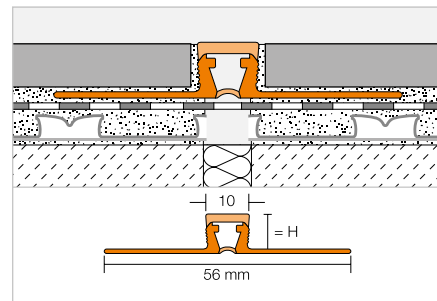
For an overview of finishes and colours, please see page 342.

Movement joint profile

Schlüter®-DILEX-BWB


Schlüter-DILEX-BWB is a movement joint profile with lateral sections of rigid, recycled plastic. The top movement zone is made of soft CPE and forms the 10 mm wide visible area.

(Product data sheet 4.6)


Schlüter®-DILEX-BWB

PVC / CPE

H (mm)	L = 2.50 m Art. No.	€ / m	KV (Unit)
6	BWB 60 ...*	7.42	60
8	BWB 80 ...**	7.55	60
10	BWB 100 ...**	7.72	60
12.5	BWB 125 ...**	8.02	60
15	BWB 150 ...***	9.20	60
20	BWB 200 ...***	9.88	60

To complete the art. no., add the colour (e.g. BWB 60 G)



* Colours: BW - C - DA - FG - G - GS - HB - PG - SG

** Colours: BW - C - DA - FG - G - GS - HB - PG - SG - SP

*** Colours: G

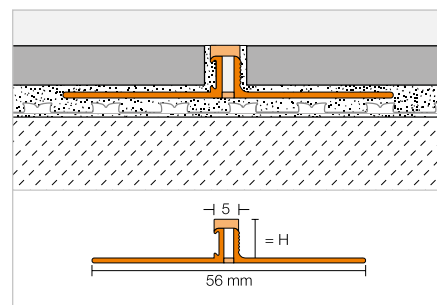
For an overview of finishes and colours, please see page 342.

Movement joint profile

Schlüter®-DILEX-BWS


Schlüter-DILEX-BWS is a movement joint profile with lateral sections of rigid, recycled plastic. The movement zone consists of soft CPE and forms the 5 mm wide visible area.

(Product data sheet 4.7)


Schlüter®-DILEX-BWS

PVC / CPE

H (mm)	L = 2.50 m Art. No.	€ / m	KV (Unit)
4.5	BWS 45 ...*	6.84	120
6	BWS 60 ...**	6.84	120
8	BWS 80 ...*	6.84	120
9	BWS 90 ...*	7.25	120
10	BWS 100 ...*	7.25	120
11	BWS 110 ...*	7.25	120
12.5	BWS 125 ...*	7.25	120

To complete the art. no., add the colour (e.g. BWS 45 HB)



* Colours: BW - C - DA - FG - G - GS - HB - PG - SG - SP

** Colours: BW - C - DA - FG - G - GS - HB - PG - SG

For an overview of finishes and colours, please see page 342.

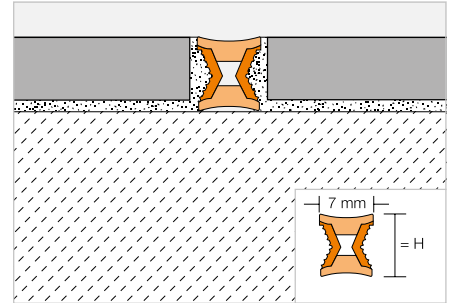


Tension relief and decorative profile

Schlüter®-DILEX-EZ 6 + 9



Schlüter-DILEX-EZ 6 + 9 combine decorative design with a stress-relieving function for tile and natural stone surfaces laid in a thin bed of adhesive.
(Product data sheet 4.1)



Schlüter®-DILEX-EZ 6

PVC

H (mm)	L = 2.50 m Art. No.	€ / m	KV (Unit)
6	EZ C/CG 6	5.15	120
6	EZ M/G 6	5.15	120

Schlüter®-DILEX-EZ 9

PVC

H (mm)	L = 2.50 m Art. No.	€ / m	KV (Unit)
9	EZ C/CG 9	5.65	120
9	EZ M/G 9	5.65	120

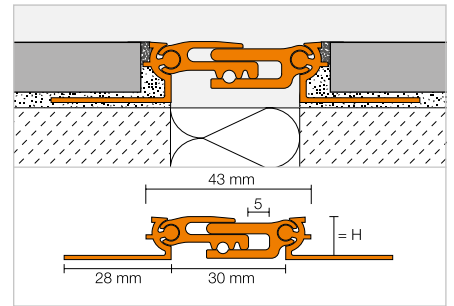
C/CG = chrome inlay / yellow
M/G = brass inlay / grey

Structural movement profile

Schlüter®-DILEX-BT



Schlüter-DILEX-BT is a structural expansion joint made of aluminium with lateral joint connections to a sliding telescopic centre section. This allows for absorption of three-dimensional movement.
(Product data sheet 4.20)



Schlüter®-DILEX-BT-A

aluminium

H (mm)	L = 2.50 m Art. No.	€ / m	KV (Unit)
8	ABT 80	41.14	40
10	ABT 100	41.72	40
12.5	ABT 125	42.72	40
15	ABT 150	43.15	40
17.5	ABT 175	43.78	40
20	ABT 200	45.13	40

Schlüter®-DILEX-BT-AE

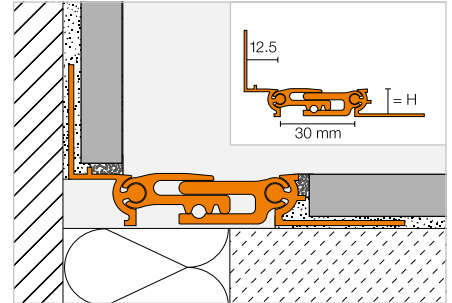
anodised aluminium

H (mm)	L = 2.50 m Art. No.	€ / m	KV (Unit)
8	AEBT 80	57.87	40
10	AEBT 100	58.84	40
12.5	AEBT 125	59.96	40
15	AEBT 150	60.93	40
17.5	AEBT 175	62.15	40
20	AEBT 200	65.28	40

Structural movement profile

Schlüter®-DILEX-BTO


Schlüter-DILEX-BTO is a structural movement profile made of aluminium for floor to wall transitions. The lateral joint connection of the sliding middle section of the profile is able to absorb three dimensional movement. (Product data sheet 4.20)


Schlüter®-DILEX-BTO-A

aluminium

H (mm)	L = 2.50 m Art. No.	€ / m	KV (Unit)
8	ABT 80/0 125	42.19	40
10	ABT 100/0 125	42.50	40
12.5	ABT 125/0 125	42.93	40
15	ABT 150/0 125	43.15	40
17.5	ABT 175/0 125	43.47	40
20	ABT 200/0 125	44.19	40

Schlüter®-DILEX-BTO-AE

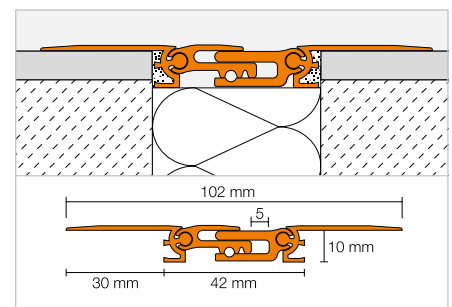
anodised aluminium

H (mm)	L = 2.50 m Art. No.	€ / m	KV (Unit)
8	AEBT 80/0 125	59.73	40
10	AEBT 100/0 125	60.16	40
12.5	AEBT 125/0 125	60.75	40
15	AEBT 150/0 125	61.21	40
17.5	AEBT 175/0 125	61.87	40
20	AEBT 200/0 125	63.43	40

Structural movement profile

Schlüter®-DILEX-BTS


Schlüter-DILEX-BTS is a structural movement profile made of aluminium for retrofitting in finished coverings. The lateral joint connection of the sliding middle section of the profile is able to absorb three dimensional movement. (Product data sheet 4.20)


Schlüter®-DILEX-BTS-A

aluminium

H (mm)	L = 2.50 m Art. No.	€ / m	KV (Unit)
10	ABTS 100	42.72	60

Schlüter®-DILEX-BTS-AE

anodised aluminium

H (mm)	L = 2.50 m Art. No.	€ / m	KV (Unit)
10	AEBTS 100	59.96	60

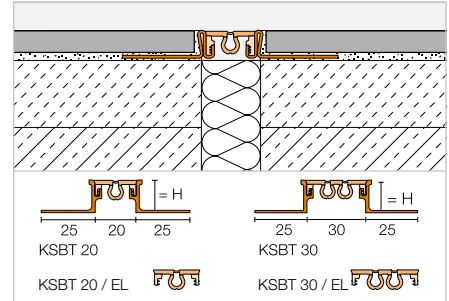


Structural movement profile

Schlüter®-DILEX-KSBT



Schlüter-DILEX-KSBT is a structural movement profile with edge protection, consisting of side anchoring legs of aluminium or stainless steel connected to a 20 mm or 30 mm wide movement zone of soft synthetic rubber. (Product data sheet 4.19)



Schlüter®-DILEX-AKSBT 20

aluminium

H (mm)	L = 2.50 m Art. No.	€ / m	KV (Unit)
8	AKS 80 BT 20 ...*	23.44	40
10	AKS 100 BT 20 ...*	24.10	40
11	AKS 110 BT 20 ...*	24.41	40
12.5	AKS 125 BT 20 ...*	24.86	40
14	AKS 140 BT 20 ...*	25.87	40

Schlüter®-DILEX-EKSBT 20

stainless steel V2A

H (mm)	L = 2.50 m Art. No.	€ / m	KV (Unit)
8	KS V2A 80 BT 20 ...*	45.19	40
10	KS V2A 100 BT 20 ...*	45.68	40
11	KS V2A 110 BT 20 ...*	46.61	40
12.5	KS V2A 125 BT 20 ...*	47.03	40
14	KS V2A 140 BT 20 ...*	47.87	40
16	KS V2A 160 BT 20 ...*	49.13	40
18.5	KS V2A 185 BT 20 ...*	50.27	40
21	KS V2A 210 BT 20 ...*	51.56	40
25	KS V2A 250 BT 20 ...*	53.93	40
30	KS V2A 300 BT 20 ...*	56.14	40

Schlüter®-DILEX-EKSBT 20 V4A

stainless steel V4A

H (mm)	L = 2.50 m Art. No.	€ / m	KV (Unit)
8	KS V4A 80 BT 20 ...*	49.73	40
10	KS V4A 100 BT 20 ...*	50.27	40
11	KS V4A 110 BT 20 ...*	51.01	40
12.5	KS V4A 125 BT 20 ...*	51.75	40
14	KS V4A 140 BT 20 ...*	52.64	40
16	KS V4A 160 BT 20 ...*	54.03	40

Schlüter®-DILEX-AKSBT 30

aluminium

H (mm)	L = 2.50 m Art. No.	€ / m	KV (Unit)
8	AKS 80 BT 30 ...*	25.66	40
10	AKS 100 BT 30 ...*	26.29	40
11	AKS 110 BT 30 ...*	26.80	40
12.5	AKS 125 BT 30 ...*	27.04	40
14	AKS 140 BT 30 ...*	28.11	40

Schlüter®-DILEX-EKSBT 30

stainless steel V2A

H (mm)	L = 2.50 m Art. No.	€ / m	KV (Unit)
8	KS V2A 80 BT 30 ...*	47.50	40
10	KS V2A 100 BT 30 ...*	47.93	40
11	KS V2A 110 BT 30 ...*	48.79	40
12.5	KS V2A 125 BT 30 ...*	49.29	40
14	KS V2A 140 BT 30 ...*	50.10	40
16	KS V2A 160 BT 30 ...*	51.38	40
18.5	KS V2A 185 BT 30 ...*	52.54	40
21	KS V2A 210 BT 30 ...*	53.83	40
25	KS V2A 250 BT 30 ...*	56.14	40
30	KS V2A 300 BT 30 ...*	58.41	40

Schlüter®-DILEX-EKSBT 30 V4A

stainless steel V4A

H (mm)	L = 2.50 m Art. No.	€ / m	KV (Unit)
8	KS V4A 80 BT 30 ...*	52.21	40
10	KS V4A 100 BT 30 ...*	52.73	40
11	KS V4A 110 BT 30 ...*	53.46	40
12.5	KS V4A 125 BT 30 ...*	54.24	40
14	KS V4A 140 BT 30 ...*	55.12	40
16	KS V4A 160 BT 30 ...*	56.52	40

To complete the art. no., add the colour (e.g. KS V4A 80 BT 30 GS)



* Colours: C - DA - FG - G - GS - HB - SG

For an overview of finishes and colours, please see page 342.

Accessories for KSBT 20

Schlüter®-DILEX-KSBT 20/K

cross joint insert (200 x 200 mm)

Art. No.	€ / U.	P (Unit)
KSG 20 K / ...*	23.45	50



Schlüter®-DILEX-KSBT 20/EL

spare part: insert

L = 2.50 m Art. No.	€ / m	KV (Unit)
KSG 20 ...*	8.12	40

Accessories for KSBT 30

Schlüter®-DILEX-KSBT 30/K

cross joint insert (200 x 200 mm)

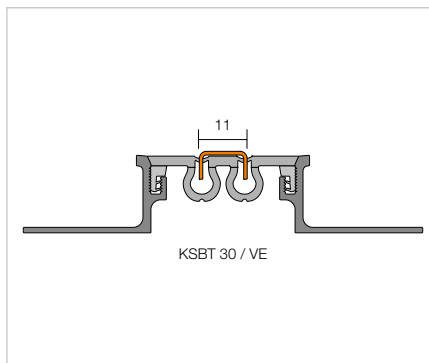
Art. No.	€ / U.	P (Unit)
KSG 30 K / ...*	24.09	50



Schlüter®-DILEX-KSBT 30/VE

brushed stainless steel V2A insert

L = 2.50 m Art. No.	€ / m	KV (Unit)
KSBT VE	19.34	40



Schlüter®-DILEX-KSBT 30/EL

spare part: insert

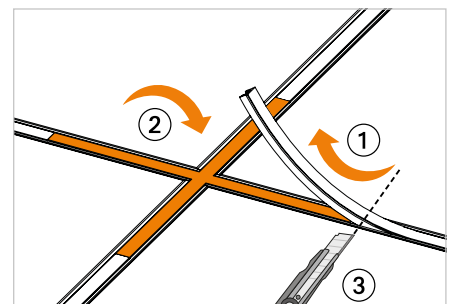
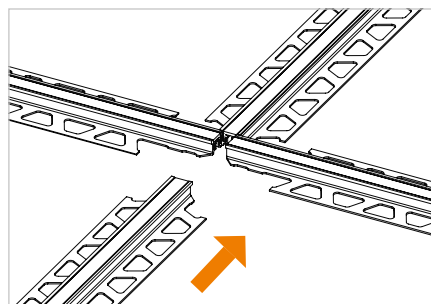
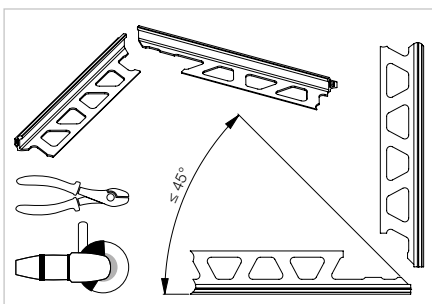
L = 2.50 m Art. No.	€ / m	KV (Unit)
KSG 30 ...*	9.52	40

To complete the art. no., add the colour (e.g. KSG 30 GS)



* Colours: C - DA - FG - G - GS - HB - SG

For an overview of finishes and colours, please see page 342.





Structural movement profile

Schlüter®-DILEX-BT/MT

Schlüter-DILEX-BT/MT is the centre section of the structural movement profile and can be combined with Schlüter-DILEX-BT/OT or -RENO-VT of all sizes.

(Product data sheet 4.20)

Schlüter®-DILEX-BT-A/MT

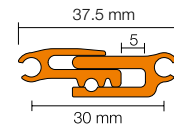
centre section, aluminium

B (mm)	L = 2.50 m Art. No.	€ / m	KV (Unit)
37.5	ABT 30 MT	22.49	60

Schlüter®-DILEX-BT-AE/MT

centre section, anodised aluminium

B (mm)	L = 2.50 m Art. No.	€ / m	KV (Unit)
37.5	AEBT 30 MT	33.05	60



Schlüter®-DILEX-BT/OT

Schlüter-DILEX-BT/OT is the wall support profile of the structural movement joint and can be combined with Schlüter-DILEX-BT/MT and -RENO-VT in any length.

(Product data sheet 4.20)

Schlüter®-DILEX-BT-A/OT

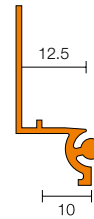
wall support profile, aluminium

H (mm)	L = 2.50 m Art. No.	€ / m	KV (Unit)
12.5	ABTO 125	8.45	60

Schlüter®-DILEX-BT-AE/OT

wall support profile, anodised aluminium

H (mm)	L = 2.50 m Art. No.	€ / m	KV (Unit)
12.5	AEBTO 125	11.71	60



Schlüter®-RENO-VT

Schlüter-RENO-VT is the floor support profile of the structural movement joint and can be combined with Schlüter-DILEX-BT/MT and -BT/OT in any length.

(Product data sheet 1.7)

Schlüter®-RENO-AVT

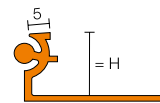
floor support profile, aluminium

H (mm)	L = 2.50 m Art. No.	€ / m	KV (Unit)
8	AVT 80	7.62	60
10	AVT 100	8.03	60
12.5	AVT 125	8.45	60
15	AVT 150	8.67	60
17.5	AVT 175	9.05	60
20	AVT 200	9.72	60

Schlüter®-RENO-AEVT

floor support profile, anodised aluminium

H (mm)	L = 2.50 m Art. No.	€ / m	KV (Unit)
8	AEVT 80	10.18	60
10	AEVT 100	10.69	60
12.5	AEVT 125	11.22	60
15	AEVT 150	11.85	60
17.5	AEVT 175	12.37	60
20	AEVT 200	14.02	60



Note:

The VT profile is also used as a variable support profile for the Schlüter-RENO-V profile range (see page 47).

Schlüter®-DILEX-BT/VTS

Schlüter-DILEX-BT/VTS is a renovation support profile for structural movement joints and can be combined with Schlüter-DILEX-BT/MT.

(Product data sheet 4.20)

Schlüter®-DILEX-BT-A/VTS

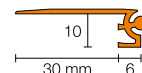
renovation support profile, aluminium

H (mm)	L = 2.50 m Art. No.	€ / m	KV (Unit)
10	AVTS 100	8.45	60

Schlüter®-DILEX-BT-AE/VTS

renovation support profile, anodised aluminium

H (mm)	L = 2.50 m Art. No.	€ / m	KV (Unit)
10	AEVTS 100	11.22	60



Schlüter edge and connection joints

A neat solution

Creating clean edge and connection joints is not an easy task. After all, these features must effectively prevent stresses in the covering as well as sound bridges. Schlüter-Systems provide profiles for this purpose:

- ✓ In various materials
- ✓ For different absorptions of movement
- ✓ With replaceable movement zones
- ✓ With or without cove shapes
- ✓ Durable and maintenance-free



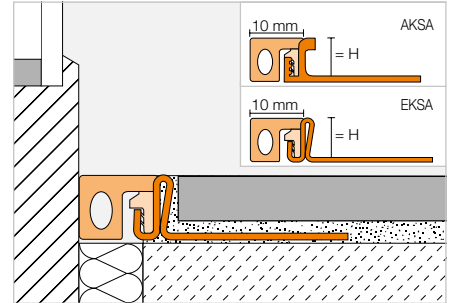


Joining profile

Schlüter®-DILEX-KSA



Schlüter-DILEX-KSA is a connection profile with edge protection. The profile's anchoring legs, made of aluminium or stainless steel, are connected to a replaceable movement zone made of soft PVC. The profile is used for creating transitions between coverings and fixed structures such as window frames. (Product data sheet 4.8)



Schlüter®-DILEX-AKSA

aluminium

H (mm)	L = 2.50 m Art. No.	€ / m	KV (Unit)
8	AKSA 80 ...*	12.70	40
10	AKSA 100 ...*	13.15	40
11	AKSA 110 ...*	13.36	40
12.5	AKSA 125 ...*	13.61	40
14	AKSA 140 ...*	14.25	40

Schlüter®-DILEX-EKSA

stainless steel V2A

H (mm)	L = 2.50 m Art. No.	€ / m	KV (Unit)
8	EKSA 80 ...*	25.77	40
10	EKSA 100 ...*	26.06	40
11	EKSA 110 ...*	26.46	40
12.5	EKSA 125 ...*	26.89	40
14	EKSA 140 ...*	27.38	40
16	EKSA 160 ...*	28.12	40
18.5	EKSA 185 ...*	28.80	40
21	EKSA 210 ...*	29.57	40
25	EKSA 250 ...*	31.01	40
30	EKSA 300 ...*	32.35	40

Schlüter®-DILEX-EKSA V4A

stainless steel V4A

H (mm)	L = 2.50 m Art. No.	€ / m	KV (Unit)
8	EKSA 80 ...* / V4A	28.38	40
10	EKSA 100 ...* / V4A	28.68	40
11	EKSA 110 ...* / V4A	29.16	40
12.5	EKSA 125 ...* / V4A	29.57	40
14	EKSA 140 ...* / V4A	30.09	40
16	EKSA 160 ...* / V4A	30.94	40

Accessories

Schlüter®-DILEX-KSA/EL

spare part: insert

L = 2.50 m Art. No.	€ / m	KV (Unit)
KSAE / ...*	4.96	40



To complete the art. no., add the colour (e.g. KSAE / GS)



* Colours: G - GS - HB - PG

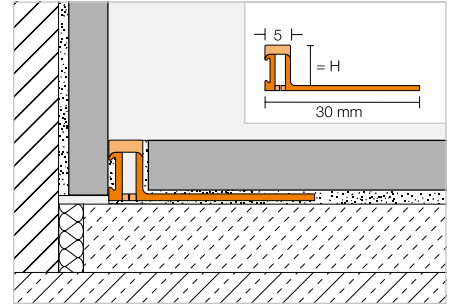
For an overview of finishes and colours, please see page 342.

Joining profile

Schlüter®-DILEX-BWA


Schlüter-DILEX-BWA provides a flexible connection between tiled surfaces and existing coverings or structures, such as door and window frames.

(Product data sheet 4.9)


Schlüter®-DILEX-BWA

PVC / CPE

H (mm)	L = 2.50 m Art. No.	€ / m	KV (Unit)
4.5	BWA 45 ...*	6.78	120
6	BWA 60 ...*	6.84	120
8	BWA 80 ...*	6.91	120
10	BWA 100 ...*	7.09	120
12.5	BWA 125 ...*	7.33	120

To complete the art. no., add the colour (e.g. BWA 45 G)



* Colours: BW - C - DA - FG - G - GS - HB - PG - SG

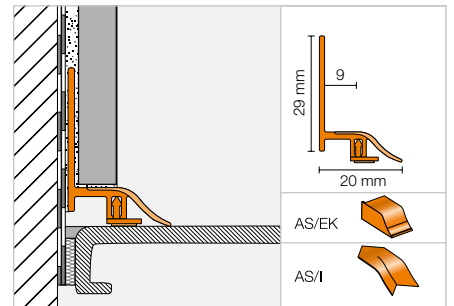
For an overview of finishes and colours, please see page 342.

Joining profile

Schlüter®-DILEX-AS


Schlüter-DILEX-AS is a joining profile for creating flexible joints to fixtures such as shower trays, baths, door and window frames.

(Product data sheet 4.10)


Schlüter®-DILEX-AS

PVC

L = 2.50 m Art. No.	€ / m	KV (Unit)
AS 20 BW	9.95	90

Corner | end cap

Schlüter®-DILEX-AS/I

90° internal corner

Art. No.	€ / U.	P (Unit)
I / AS 20 BW	1.51	10

Schlüter®-DILEX-AS/EK

end cap

Art. No.	€ / Set	P (Set)
EK / AS 20 BW	2.99	10

set = 1 x left, 1 x right



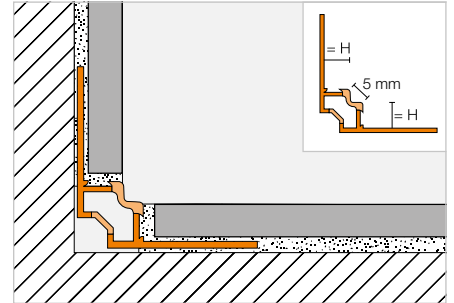
Corner joint profile

Schlüter®-DILEX-EF



Schlüter-DILEX-EF is a flexible, single piece corner profile of rigid and soft PVC for internal wall corners or floor to wall transitions, which can be used for non-floating covering assemblies.

(Product data sheet 4.13)



Schlüter®-DILEX-EF

PVC / CPE

H (mm)	L = 2.50 m Art. No.	€ / m	KV (Unit)
8	EF 80 ...*	7.40	60
10	EF 100 ...*	7.40	60
12.5	EF 125 ...*	7.40	60
15	EF 150 ...*	7.40	60

To complete the art. no., add the colour (e.g. EF 80 G)



* Colours: BW - G - HB - PG - SP

For an overview of finishes and colours, please see page 342.

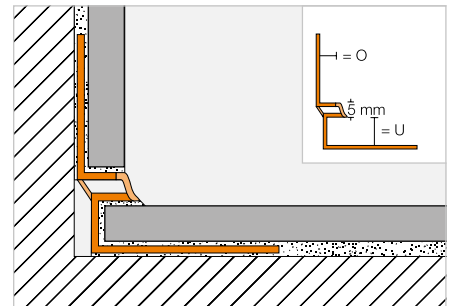
Corner joint profile

Schlüter®-DILEX-EKE



Schlüter-DILEX-EKE is a flexible, single piece corner profile of rigid or soft PVC for internal wall corners or floor-wall transitions. It features an integrated joint chamber and is suitable for use with non-floating covering assemblies.

(Product data sheet 4.13)



Schlüter®-DILEX-EKE

PVC / CPE, U = mm

U (mm)	L = 2.50 m Art. No.	€ / m	KV (Unit)
8	EKE U 8 / 0 7 ...*	7.40	60
9	EKE U 9 / 0 8 ...*	7.40	60
11	EKE U 11 / 0 10 ...*	7.40	60
13	EKE U 13 / 0 12 ...*	7.40	60
15	EKE U 15 / 0 14 ...*	7.40	60

To complete the art. no., add the colour (e.g. EKE U 8 / 0 7 G)



* Colours: BW - G - GS - HB - PG - SP

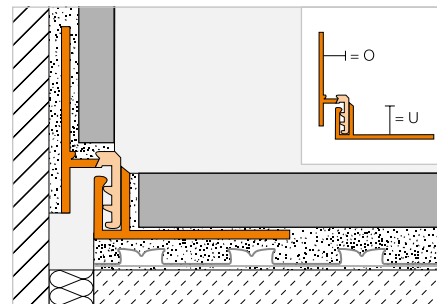
For an overview of finishes and colours, please see page 342.

Edge joint profile

Schlüter®-DILEX-RF


Schlüter-DILEX-RF is a two part corner profile made of recycled, rigid PVC and soft CPE for durable, flexible and maintenance free perimeter joints between floors and walls.

(Product data sheet 4.14)


Schlüter®-DILEX-RF

PVC / CPE, O = 8 mm

U (mm)	L = 2.50 m Art. No.	€ / m	KV (Unit)
10	RF U 100 / O 80 ...*	12.70	60
12.5	RF U 125 / O 80 ...*	12.70	60
15	RF U 150 / O 80 ...*	12.70	60
18	RF U 180 / O 80 ...*	12.70	60
22	RF U 220 / O 80 ...*	12.70	60

Schlüter®-DILEX-RF

PVC / CPE, O = 10 mm

U (mm)	L = 2.50 m Art. No.	€ / m	KV (Unit)
10	RF U 100 / O 100 ...*	12.70	60
12.5	RF U 125 / O 100 ...*	12.70	60
15	RF U 150 / O 100 ...*	12.70	60
18	RF U 180 / O 100 ...*	12.70	60
22	RF U 220 / O 100 ...*	12.70	60

Schlüter®-DILEX-RF

PVC / CPE, O = 12.5 mm

U (mm)	L = 2.50 m Art. No.	€ / m	KV (Unit)
10	RF U 100 / O 125 ...*	12.70	60
12.5	RF U 125 / O 125 ...*	12.70	60
15	RF U 150 / O 125 ...*	12.70	60
18	RF U 180 / O 125 ...*	12.70	60
22	RF U 220 / O 125 ...*	12.70	60

Schlüter®-DILEX-RF

PVC / CPE, O = 15 mm

U (mm)	L = 2.50 m Art. No.	€ / m	KV (Unit)
10	RF U 100 / O 150 ...*	12.70	60
12.5	RF U 125 / O 150 ...*	12.70	60
15	RF U 150 / O 150 ...*	12.70	60
18	RF U 180 / O 150 ...*	12.70	60
22	RF U 220 / O 150 ...*	12.70	60

Schlüter®-DILEX-RF

PVC / CPE, O = 18 mm

U (mm)	L = 2.50 m Art. No.	€ / m	KV (Unit)
10	RF U 100 / O 180 ...*	12.70	60
12.5	RF U 125 / O 180 ...*	12.70	60
15	RF U 150 / O 180 ...*	12.70	60
18	RF U 180 / O 180 ...*	12.70	60
22	RF U 220 / O 180 ...*	12.70	60

To complete the art. no., add the colour (e.g. RF U 100 / O 180 PG)



* Colours: G - PG

For an overview of finishes and colours, please see page 342.

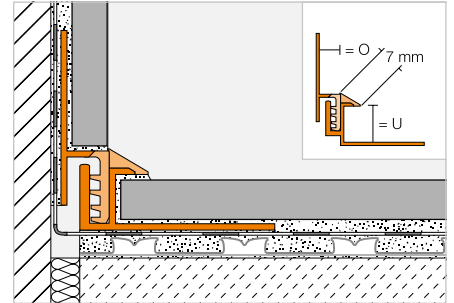


Edge joint profile

Schlüter®-DILEX-EK



Schlüter-DILEX-EK is a two part profile made of rigid and soft plastic with a tongue and groove connection and an integrated joint chamber for creating durable, flexible and maintenance free perimeter joints between floors and walls or floors and skirtings.
(Product data sheet 4.14)



Schlüter®-DILEX-EK

PVC / CPE, O = 7 mm

U (mm)	L = 2.50 m Art. No.	€ / m	KV (Unit)
8	EK U 8 / 0 7 ...*	12.70	60
11	EK U 11 / 0 7 ...*	12.70	60
15	EK U 15 / 0 7 ...**	12.70	60

Schlüter®-DILEX-EK

PVC / CPE, O = 10 mm

U (mm)	L = 2.50 m Art. No.	€ / m	KV (Unit)
8	EK U 8 / 0 10 ...*	12.70	60
11	EK U 11 / 0 10 ...*	12.70	60
15	EK U 15 / 0 10 ...**	12.70	60

Schlüter®-DILEX-EK

PVC / CPE, O = 14 mm

U (mm)	L = 2.50 m Art. No.	€ / m	KV (Unit)
8	EK U 8 / 0 14 G	12.70	60
11	EK U 11 / 0 14 G	12.70	60
15	EK U 15 / 0 14 G	12.70	60

To complete the art. no., add the colour (e.g. EK U 8 / 0 10 G)



* Colours: BW - G - GS - HB - PG

** Colours: G

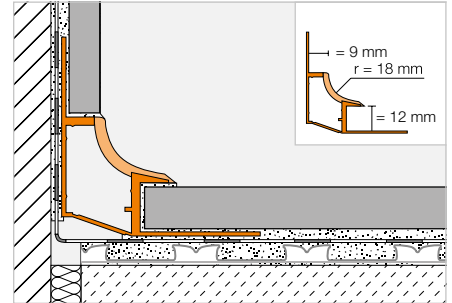
For an overview of finishes and colours, please see page 342.

Cove-shaped profile

Schlüter®-DILEX-HK


Schlüter-DILEX-HK is a cove-shaped profile of rigid recycled PVC with a cove of soft plastic and an integrated joint chamber for wall to floor joints, which conforms to special hygienic and cleaning requirements such as those of the food processing industry or industrial kitchens.

(Product data sheet 4.11)


Schlüter®-DILEX-HK

PVC / CPE, 0 = 9 mm

L = 2.50 m Art. No.	€ / m	KV (Unit)
HK U12 / 09 ...*	13.70	60

Corner | end cap | connector

Schlüter®-DILEX-HK/E

90° external corner

Art. No.	€ / U.	P (Unit)
A / HK / ...*	4.34	50

Schlüter®-DILEX-HK/I

90° internal corner

Outlets	Art. No.	€ / U.	P (Unit)
2	I / HK 2 R18 / ...*	4.34	50
3	I / HK 3 R18 / ...*	4.34	50



I2 = 2 way



I3 = 3 way

Schlüter®-DILEX-HK/EK

end cap

Art. No.	€ / U.	P (Unit)
ER / HK / G	3.25	50
EL / HK / G	3.25	50

ER = right / EL = left

Schlüter®-DILEX-HK/V

connector

Art. No.	€ / U.	P (Unit)
V / HK	1.82	50



To complete the art. no., add the colour (e.g. I / HK 2 R18 / HB)

BW G HB

* Colours: BW - G - HB

For an overview of finishes and colours, please see page 342.

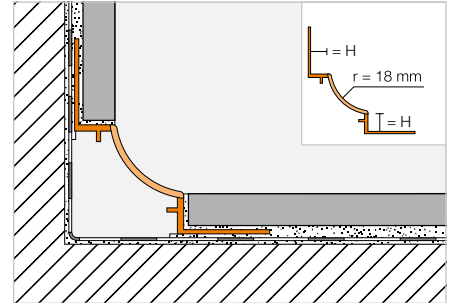


Cove-shaped profile

Schlüter®-DILEX-HKW



Schlüter-DILEX-HKW is a cove-shaped profile for internal wall corners and wall to floor joints in applications where only slight movement occurs.
(Product data sheet 4.12)



Schlüter®-DILEX-HKW

PVC

H (mm)	L = 2.50 m Art. No.	€ / m	KV (Unit)
7	HKW U 7 / 0 7 ...*	9.54	60
9	HKW U 9 / 0 9 ...*	9.54	60
11	HKW U 11 / 0 11 ...*	9.54	60

Corner | end cap

Schlüter®-DILEX-HKW/E

90° external corner

Art. No.	€ / U.	P (Unit)
A / HKW / ...*	4.34	50

Schlüter®-DILEX-HKW/I

90° internal corner

Outlets	Art. No.	€ / U.	P (Unit)
2	I / HKW 2 R18 / ...*	4.34	50
3	I / HKW 3 R18 / ...*	4.34	50



I2 = 2 way

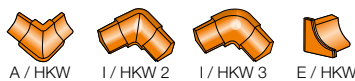


I3 = 3 way

Schlüter®-DILEX-HKW/EK

end cap

Art. No.	€ / U.	P (Unit)
E / HKW / G	3.25	50



To complete the art. no., add the colour (e.g. I / HKW 2 R18 / G)

BW G HB PG

* Colours: BW - G - HB - PG

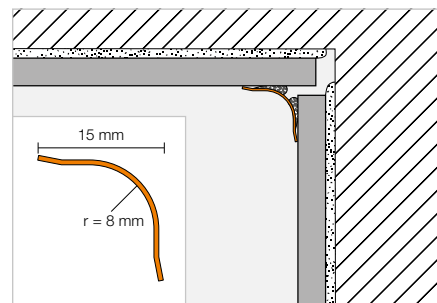
For an overview of finishes and colours, please see page 342.

Cove-shaped profile

Schlüter®-ECK-KHK


Schlüter-ECK-KHK is a cove shaped, stainless steel corner profile that is retrofitted to the internal corners of tiled walls or other wall coverings.

(Product data sheet 2.7)


Schlüter®-ECK-KHK-E

stainless steel V2A

B (mm)	L = 3.00 m Art. No.	€ / m	KV (Unit)
15	KHK15 E/300	25.26	60
	L = 2.50 m		
15	KHK15 E	25.26	60
	L = 2.00 m		
15	KHK15 E/200	25.26	60
	L = 1.50 m		
15	KHK15 E/150	25.26	60

Schlüter®-ECK-KHK-EB

brushed stainless steel V2A

B (mm)	L = 3.00 m Art. No.	€ / m	KV (Unit)
15	KHK15 EB/300	32.83	60
	L = 2.50 m		
15	KHK15 EB	32.83	60
	L = 2.00 m		
15	KHK15 EB/200	32.83	60
	L = 1.50 m		
15	KHK15 EB/150	32.83	60

Corner | connector

Schlüter®-ECK-KHK-E/E

90° external corner,
stainless steel V2A

Art. No.	€ / U.	P (Unit)
E / KHK15 E	8.37	50

Schlüter®-ECK-KHK-EB/E

90° external corner,
brushed stainless steel V2A

Art. No.	€ / U.	P (Unit)
E / KHK15 EB	9.21	50

Schlüter®-ECK-KHK-E/I

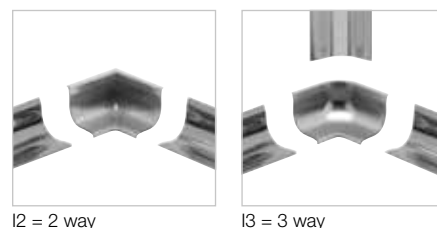
90° internal corner,
stainless steel V2A

Art. No.	€ / U.	P (Unit)
I/2 KHK15 E	8.37	50
I/3 KHK15 E	8.37	50

Schlüter®-ECK-KHK-EB/I

90° internal corner,
brushed stainless steel V2A

Art. No.	€ / U.	P (Unit)
I/2 KHK15 EB	9.21	50
I/3 KHK15 EB	9.21	50



I2 = 2 way

I3 = 3 way

Schlüter®-ECK-KHK-E/V

connector, stainless steel V2A

Art. No.	€ / U.	P (Unit)
V / KHK15 E	8.37	50

Schlüter®-ECK-KHK-EB/V

connector, brushed stainless steel V2A

Art. No.	€ / U.	P (Unit)
V / KHK15 EB	9.21	50



E / KHK I/2 KHK I/3 KHK V / KHK

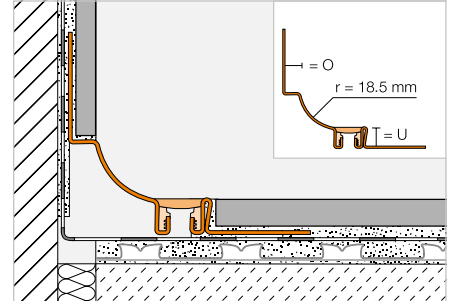


Cove-shaped profile

Schlüter®-DILEX-HKS



Schlüter-DILEX-HKS is a cove shaped, stainless steel profile with a maintenance free movement zone for floor to wall connections with tile coverings.
(Product data sheet 4.15)



Schlüter®-DILEX-HKS-E

stainless steel V2A, O = 7 mm

U (mm)	L = 2.50 m Art. No.	€ / m	KV (Unit)
8	HKS V2A U 8 / 0 7 ...*	53.14	40
10	HKS V2A U 10 / 0 7 ...*	53.73	40
12.5	HKS V2A U 12 / 0 7 ...*	54.42	40
14	HKS V2A U 14 / 0 7 ...*	54.69	40
16	HKS V2A U 16 / 0 7 ...*	55.09	40
18	HKS V2A U 18 / 0 7 ...*	55.60	40
21	HKS V2A U 21 / 0 7 ...*	56.14	40
25	HKS V2A U 25 / 0 7 ...*	57.15	40
30	HKS V2A U 30 / 0 7 ...*	57.85	40

Schlüter®-DILEX-HKS-E

stainless steel V2A, O = 9 mm

U (mm)	L = 2.50 m Art. No.	€ / m	KV (Unit)
8	HKS V2A U 8 / 0 9 ...*	53.14	40
10	HKS V2A U 10 / 0 9 ...*	53.73	40
12.5	HKS V2A U 12 / 0 9 ...*	54.42	40
14	HKS V2A U 14 / 0 9 ...*	54.69	40
16	HKS V2A U 16 / 0 9 ...*	55.09	40
18	HKS V2A U 18 / 0 9 ...*	55.60	40
21	HKS V2A U 21 / 0 9 ...*	56.14	40
25	HKS V2A U 25 / 0 9 ...*	57.15	40
30	HKS V2A U 30 / 0 9 ...*	57.85	40

Schlüter®-DILEX-HKS-E

stainless steel V2A, O = 11 mm

U (mm)	L = 2.50 m Art. No.	€ / m	KV (Unit)
8	HKS V2A U 8 / 0 11 ...*	53.14	40
10	HKS V2A U 10 / 0 11 ...*	53.73	40
12.5	HKS V2A U 12 / 0 11 ...*	54.42	40
14	HKS V2A U 14 / 0 11 ...*	54.69	40
16	HKS V2A U 16 / 0 11 ...*	55.09	40
18	HKS V2A U 18 / 0 11 ...*	55.60	40
21	HKS V2A U 21 / 0 11 ...*	56.14	40
25	HKS V2A U 25 / 0 11 ...*	57.15	40
30	HKS V2A U 30 / 0 11 ...*	57.85	40

Schlüter®-DILEX-HKS-E V4A

stainless steel V4A, O = 7 mm

U (mm)	L = 2.50 m Art. No.	€ / m	KV (Unit)
8	HKS V4A U 8 / 0 7 ...*	58.45	40
10	HKS V4A U 10 / 0 7 ...*	59.09	40
12.5	HKS V4A U 12 / 0 7 ...*	59.86	40
14	HKS V4A U 14 / 0 7 ...*	60.19	40
16	HKS V4A U 16 / 0 7 ...*	60.59	40

Schlüter®-DILEX-HKS-E V4A

stainless steel V4A, O = 9 mm

U (mm)	L = 2.50 m Art. No.	€ / m	KV (Unit)
8	HKS V4A U 8 / 0 9 ...*	58.45	40
10	HKS V4A U 10 / 0 9 ...*	59.09	40
12.5	HKS V4A U 12 / 0 9 ...*	59.86	40
14	HKS V4A U 14 / 0 9 ...*	60.19	40
16	HKS V4A U 16 / 0 9 ...*	60.59	40

Schlüter®-DILEX-HKS-E V4A

stainless steel V4A, O = 11 mm

U (mm)	L = 2.50 m Art. No.	€ / m	KV (Unit)
8	HKS V4A U 8 / 0 11 ...*	58.45	40
10	HKS V4A U 10 / 0 11 ...*	59.09	40
12.5	HKS V4A U 12 / 0 11 ...*	59.86	40
14	HKS V4A U 14 / 0 11 ...*	60.19	40
16	HKS V4A U 16 / 0 11 ...*	60.59	40

Corner

Schlüter®-DILEX-HKS-E/E 90°

90° prefabricated corner,
stainless steel V2A

Art. No.	€ / Set	P (Set)
E90 V2A ...**	45.60	50

Schlüter®-DILEX-HKS-E V4A/E 90°

90° prefabricated corner,
stainless steel V4A

Art. No.	€ / Set	P (Set)
E90 V4A ...**	45.60	50



Note:

For prefabricated pieces (internal/external corners and connectors), please see Schlüter-DILEX-EHK.

To complete the art. no., add the colour (e.g. HKS V4A U 8 / 0 11 GS)



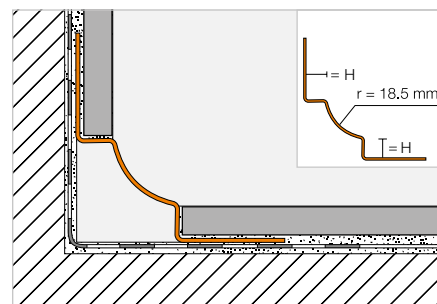
* to complete the art. no., add U... / O... and the colour (e.g. E90 V2A U 10 / 0 11 G). Colours: G - GS - HB - PG
For an overview of finishes and colours, please see page 342.

Cove-shaped profile

Schlüter®-DILEX-EHK


Schlüter-DILEX-EHK is a stainless steel cove-shaped profile for internal wall corners or for floor to wall transitions with hygiene requirements.

(Product data sheet 4.15)


Schlüter®-DILEX-EHK

stainless steel V2A

H (mm)	L = 2.50 m Art. No.	€ / m	KV (Unit)
7	EHK U 7 / 0 7	30.23	40
9	EHK U 9 / 0 9	31.12	40
11	EHK U 11 / 0 11	32.05	40

Schlüter®-DILEX-EBHK

brushed stainless steel V2A

H (mm)	L = 2.50 m Art. No.	€ / m	KV (Unit)
7	EBHK U 7 / 0 7	39.31	40
9	EBHK U 9 / 0 9	40.47	40
11	EBHK U 11 / 0 11	41.71	40

Schlüter®-DILEX-EHK V4A

stainless steel V4A

H (mm)	L = 2.50 m Art. No.	€ / m	KV (Unit)
7	EHK U 7 / 0 7 / V4A	33.26	40
9	EHK U 9 / 0 9 / V4A	34.22	40
11	EHK U 11 / 0 11 / V4A	35.29	40
16	EHK U 16 / 0 16 / V4A	37.52	40

Corner | connector, stainless steel V4A

Schlüter®-DILEX-EHK/E

90° external corner,
stainless steel V4A

Art. No.	€ / U.	P (Unit)
A / EHK 2 R18	8.56	50

Schlüter®-DILEX-EHK/E 135°

135° external corner,
stainless steel V4A

Art. No.	€ / U.	P (Unit)
E 135 / EHK 2 R18	8.56	50

Schlüter®-DILEX-EHK/V

connector,
stainless steel V4A

Art. No.	€ / U.	P (Unit)
V / EHK	8.56	50

Schlüter®-DILEX-EHK/I

90° internal corner,
stainless steel V4A

Art. No.	€ / U.	P (Unit)
I / EHK 2 R18	8.56	50
I / EHK 3 R18	8.56	50

Schlüter®-DILEX-EHK/I 135°

135° internal corner,
stainless steel V4A

Art. No.	€ / U.	P (Unit)
I 135 / EHK 2 R18	8.56	50



I2 = 2 way

I3 = 3 way

Corner | connector, brushed stainless steel V2A

Schlüter®-DILEX-EBHK/E

90° external corner,
brushed stainless steel V2A

Art. No.	€ / U.	P (Unit)
A / EBHK 2 R18	11.13	50

Schlüter®-DILEX-EBHK/E 135°

135° external corner,
brushed stainless steel V2A

Art. No.	€ / U.	P (Unit)
E 135 / EB HK 2 R18	11.13	50

Schlüter®-DILEX-EBHK/V

connector,
brushed stainless steel V2A

Art. No.	€ / U.	P (Unit)
V / EBHK	11.13	50

Schlüter®-DILEX-EBHK/I

90° internal corner,
brushed stainless steel V2A

Art. No.	€ / U.	P (Unit)
I / EBHK 2 R18	11.13	50
I / EBHK 3 R18	11.13	50

Schlüter®-DILEX-EBHK/I 135°

135° internal corner,
brushed stainless steel V2A

Art. No.	€ / U.	P (Unit)
I 135 / EB HK 2 R18	11.13	50

Note:

The accessories of Schlüter-DILEX-EHK are made of V4A stainless steel and can also be combined with V2A profiles (does not apply to brushed stainless steel = EBHK). We recommend Schlüter-DILEX-HKW/EK plastic end caps.



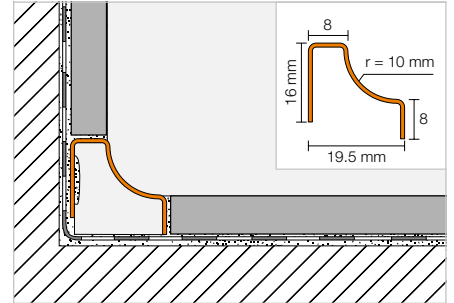


Cove-shaped profile

Schlüter®-DILEX-HKU



Schlüter-DILEX-HKU is a cove-shaped profile entirely made of stainless steel for internal wall corners and floor wall transitions with stringent hygiene requirements. Due to its inner anchoring leg, the profile can be variably used for different tile thicknesses. (Product data sheet 4.22)



Schlüter®-DILEX-HKU 10-E

stainless steel V2A

L = 2.50 m Art. No.	€ / m	KV (Unit)
HKUR 10 E	28.44	40

Schlüter®-DILEX-HKU 10-EB

brushed stainless steel V2A

L = 2.50 m Art. No.	€ / m	KV (Unit)
HKUR 10 EB	31.18	40

Schlüter®-DILEX-HKU 10-E V4A

stainless steel V4A

L = 2.50 m Art. No.	€ / m	KV (Unit)
HKUR 10 E / V4A	42.69	40

Corner | end cap | connector, stainless steel V4A

Schlüter®-DILEX-HKU 10-E/EQ

90° external corner, stainless steel V4A

Art. No.	€ / U.	P (Unit)
EQ / HKUR 10 E	8.37	50

Schlüter®-DILEX-HKU 10-E 135°

135° external corner, stainless steel V4A

Art. No.	€ / U.	P (Unit)
E135 / HKUR 10 E	8.37	50

Note:

The accessories of Schlüter-DILEX-HKU 10 are made of V4A stainless steel and can also be combined with V2A profiles (does not apply to brushed stainless steel = HKU-EB).

Schlüter®-DILEX-HKU 10-E/I

90° internal corner, stainless steel V4A

Art. No.	€ / U.	P (Unit)
I / HKUR 3 R 10 E	8.37	50

Schlüter®-DILEX-HKU 10-E/I 135°

135° internal corner, stainless steel V4A

Art. No.	€ / U.	P (Unit)
I135 / HKUR 10 E	8.37	50

Schlüter®-DILEX-HKU 10-E/EK

end cap, stainless steel V4A

Art. No.	€ / U.	P (Unit)
EK / HKUR 10 E	7.20	50

Schlüter®-DILEX-HKU 10-E/V

connector, stainless steel V4A

Art. No.	€ / U.	P (Unit)
V / HKUR 10 E	8.37	50



Corner | end cap | connector, brushed stainless steel V2A

Schlüter®-DILEX-HKU 10-EB/EQ

90° external corner,
brushed stainless steel V2A

Art. No.	€ / U.	P (Unit)
EQ / HKUR 10 EB	9.21	50

Schlüter®-DILEX-HKU 10-EB 135°

135° external corner,
brushed stainless steel V2A

Art. No.	€ / U.	P (Unit)
E135 / HKUR 10 EB	9.21	50

Schlüter®-DILEX-HKU 10-EB/I

90° internal corner,
brushed stainless steel V2A

Art. No.	€ / U.	P (Unit)
I / HKU 3 R 10 EB	9.21	50

Schlüter®-DILEX-HKU 10-EB/I 135°

135° internal corner,
brushed stainless steel V2A

Art. No.	€ / U.	P (Unit)
I135 / HKUR 10 EB	9.21	50



Schlüter®-DILEX-HKU 10-EB/EK

end cap, brushed stainless steel V2A

Art. No.	€ / U.	P (Unit)
EK / HKUR 10 EB	8.51	50

Schlüter®-DILEX-HKU 10-EB/V

connector, brushed stainless steel V2A

Art. No.	€ / U.	P (Unit)
V / HKUR 10 EB	9.21	50

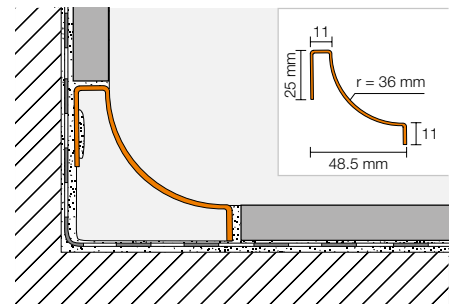


Cove-shaped profile

Schlüter®-DILEX-HKU 36-E

stainless steel V2A

L = 2.50 m Art. No.	€ / m	KV (Unit)
HKUR 36 E	33.64	40



Corner | end cap | connector

Schlüter®-DILEX-HKU 36-E/E

90° external corner,
stainless steel V2A

Art. No.	€ / U.	P (Unit)
E / HKUR 36 E	9.56	50

Schlüter®-DILEX-HKU 36-E/I

90° internal corner,
stainless steel V2A

Art. No.	€ / U.	P (Unit)
I / HKU 3 R 36 10 E	9.56	50

Schlüter®-DILEX-HKU 36-E/V

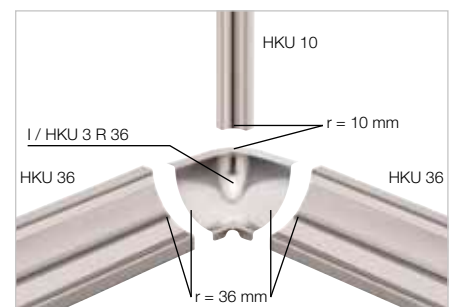
connector, stainless steel V2A

Art. No.	€ / U.	P (Unit)
V / HKUR 36 E	9.56	50

Schlüter®-DILEX-HKU 36/VI

connector, interior

Art. No.	€ / U.	P (Unit)
VI / HKUR 36	4.20	50



Schlüter®-DILEX-HKU 36/EK

end cap, PVC

Art. No.	€ / U.	P (Unit)
EK / HKUR 36 E	4.20	50



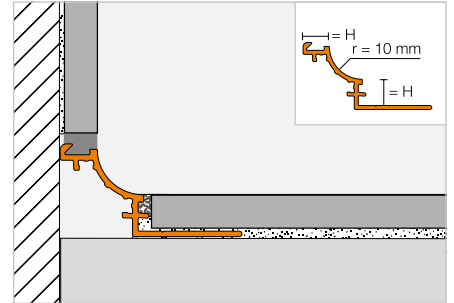


Cove-shaped profile

Schlüter®-DILEX-AHK-TS



Schlüter-DILEX-AHK-TS is a cove-shaped profile made of aluminium with a special TRENDLINE textured finish. It is suitable for internal wall corners, countertops and shelving with tile and stone coverings. The profile can be combined with Schlüter-RONDEC, -JOLLY, -SCHIENE or -QUADEC profiles in matching textured finishes.
(Product data sheet 4.21)



Schlüter®-DILEX-AHK-TSI

textured natural ivory

H (mm)	L = 2.50 m Art. No.	€ / m	KV (Unit)
8	AHK 1S 80 TSI	25.92	40
10	AHK 1S 100 TSI	26.91	40
12.5	AHK 1S 125 TSI	27.88	40

Schlüter®-DILEX-AHK-TSSG

textured natural stone grey

H (mm)	L = 2.50 m Art. No.	€ / m	KV (Unit)
8	AHK 1S 80 TSSG	25.92	40
10	AHK 1S 100 TSSG	26.91	40
12.5	AHK 1S 125 TSSG	27.88	40

Schlüter®-DILEX-AHK-TSDA

textured natural dark anthracite

H (mm)	L = 2.50 m Art. No.	€ / m	KV (Unit)
8	AHK 1S 80 TSDA	25.92	40
10	AHK 1S 100 TSDA	26.91	40
12.5	AHK 1S 125 TSDA	27.88	40

Corner | end cap | connector

Schlüter®-DILEX-AHK-TS/E

90° external corner (for connection with RONDEC)

Art. No.	€ / U.	P (Unit)
E90 / AHK 1S / ...*	27.09	50

Schlüter®-DILEX-AHK-TS/E 90 Q

90° external corner (for connection with QUADEC)

Art. No.	€ / U.	P (Unit)
E90 Q / AHK 1S / ...*	27.09	50

Schlüter®-DILEX-AHK-TS/E 135°

135° external corner

Art. No.	€ / U.	P (Unit)
E135 / AHK 1S / ...*	27.09	50

Schlüter®-DILEX-AHK-TS/I

90° internal corner

Art. No.	€ / U.	P (Unit)
I90 / AHK 1S / ...*	27.09	50

Schlüter®-DILEX-AHK-TS/I 135°

135° internal corner

Art. No.	€ / U.	P (Unit)
I135 / AHK 1S / ...*	27.09	50

Schlüter®-DILEX-AHK-TS/EK

end cap

Art. No.	€ / U.	P (Unit)
E / AHK 1S / ...*	17.39	50



Schlüter®-DILEX-AHK/V

connector

Art. No.	€ / U.	P (Unit)
V / AHK	4.20	50

To complete the art. no., add the finish (e.g. E / AHK 1S / TSI)

* Finishes: TSDA - TSI - TSSG

For an overview of finishes and colours, please see page 342.

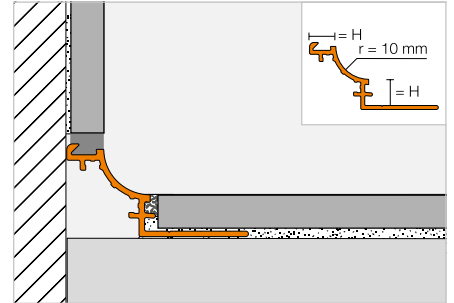


Cove-shaped profile

Schlüter®-DILEX-AHK



Schlüter-DILEX-AHK is a cove-shaped aluminium profile for internal wall corners, countertops and shelving with tile and stone coverings. It is available in a variety of anodised finishes or in colour coated aluminium. (Product data sheet 4.21)



Schlüter®-DILEX-AHK-AE

anodised aluminium

H (mm)	L = 2.50 m Art. No.	€ / m	KV (Unit)
8	AHK 1S 80 AE	20.40	40
10	AHK 1S 100 AE	21.19	40
12.5	AHK 1S 125 AE	22.04	40

Schlüter®-DILEX-AHK-ACG

polished chrome anodised aluminium

H (mm)	L = 2.50 m Art. No.	€ / m	KV (Unit)
8	AHK 1S 80 ACG	38.89	40
10	AHK 1S 100 ACG	40.19	40
12.5	AHK 1S 125 ACG	41.14	40

Schlüter®-DILEX-AHK-ACGB

brushed chrome anodised aluminium

H (mm)	L = 2.50 m Art. No.	€ / m	KV (Unit)
8	AHK 1S 80 ACGB	30.01	40
10	AHK 1S 100 ACGB	30.77	40
12.5	AHK 1S 125 ACGB	31.74	40

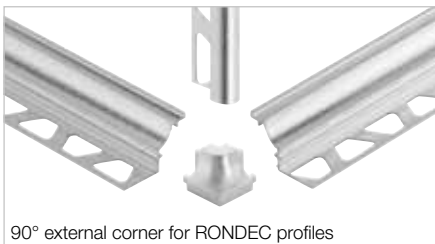
Schlüter®-DILEX-AHK-AC

colour coated aluminium

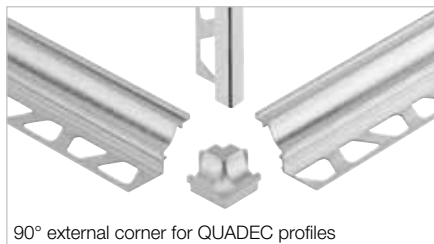
H (mm)	L = 2.50 m Art. No.	€ / m	KV (Unit)
8	AHK 1S 80 ...*	19.99	40
10	AHK 1S 100 ...*	21.01	40
12.5	AHK 1S 125 ...*	22.04	40



Corner | end cap | connector



90° external corner for RONDEC profiles



90° external corner for QUADEC profiles



Schlüter®-DILEX-AHK/E

90° external corner (for connection with RONDEC)

Art. No.	€ / U.	P (Unit)
E90 / AHK 1S / ...**	27.09	50

Schlüter®-DILEX-AHK/E 90 Q

90° external corner (for connection with QUADEC)

Art. No.	€ / U.	P (Unit)
E90 Q / AHK 1S / ...**	27.09	50

Schlüter®-DILEX-AHK/E 135°

135° external corner

Art. No.	€ / U.	P (Unit)
E135 / AHK 1S / ...**	27.09	50

Schlüter®-DILEX-AHK-AC/E

90° external corner (for connection with RONDEC)

Art. No.	€ / U.	P (Unit)
E90 / AHK 1S / ...*	27.08	50

Schlüter®-DILEX-AHK-AC/E 90 Q

90° external corner (for connection with QUADEC)

Art. No.	€ / U.	P (Unit)
E90 Q / AHK 1S / ...*	27.08	50

Schlüter®-DILEX-AHK-AC/E 135°

135° external corner

Art. No.	€ / U.	P (Unit)
E135 / AHK 1S / ...*	27.08	50

To complete the art. no., add the finish/colour (e.g. E135 / AHK 1S / BW)

* Finishes/colours: BW - MBW - MGS

** Finishes/colours: ACG - ACGB - AE

For an overview of finishes and colours, please see page 342.



Schlüter®-DILEX-AHK/I

90° internal corner

Art. No.	€ / U.	P (Unit)
I90 / AHK 1S / ...**	27.09	50

Schlüter®-DILEX-AHK-AC/I

90° internal corner

Art. No.	€ / U.	P (Unit)
I90 / AHK 1S / ...*	27.08	50

Schlüter®-DILEX-AHK/V

connector

Art. No.	€ / U.	P (Unit)
V / AHK	4.20	50

Schlüter®-DILEX-AHK/I 135°

135° internal corner

Art. No.	€ / U.	P (Unit)
I135 / AHK 1S / ...**	27.09	50

Schlüter®-DILEX-AHK-AC/I 135°

135° internal corner

Art. No.	€ / U.	P (Unit)
I135 / AHK 1S / ...*	27.08	50

Schlüter®-DILEX-AHK/EK

end cap

Art. No.	€ / U.	P (Unit)
E / AHK 1S / ...**	17.39	50

Schlüter®-DILEX-AHK-AC/EK

end cap

Art. No.	€ / U.	P (Unit)
E / AHK 1S / ...*	20.46	50



To complete the art. no., add the finish/colour (e.g. E / AHK 1S / BW)



* Finishes/colours: BW - MBW - MGS

** Finishes/colours: ACG - ACGB - AE

For an overview of finishes and colours, please see page 342.

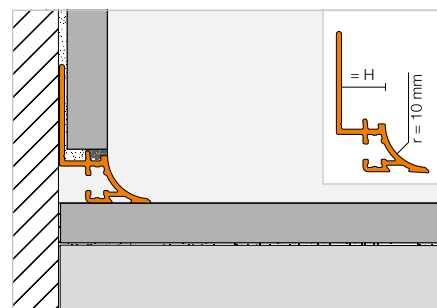
Cove-shaped profile



Schlüter®-DILEX-AHKA



Schlüter-DILEX-AHKA is a cove-shaped aluminium profile for internal wall corners, countertops and shelving with tiled coverings. It is available in a variety of anodised finishes or colour coated aluminium and can be connected to existing coverings on one side. (Product data sheet 4.21)



Schlüter®-DILEX-AHKA-AE

anodised aluminium

H (mm)	L = 2.50 m Art. No.	€ / m	KV (Unit)
8	AHKA 80 AE	20.40	40
10	AHKA 100 AE	21.19	40
12.5	AHKA 125 AE	22.04	40
15	AHKA 150 AE	22.67	40

Schlüter®-DILEX-AHKA-ACGB

brushed chrome anodised aluminium

H (mm)	L = 2.50 m Art. No.	€ / m	KV (Unit)
8	AHKA 80 ACGB	30.01	40
10	AHKA 100 ACGB	30.77	40
12.5	AHKA 125 ACGB	31.74	40
15	AHKA 150 ACGB	32.73	40

Schlüter®-DILEX-AHKA-AC

colour coated aluminium

H (mm)	L = 2.50 m Art. No.	€ / m	KV (Unit)
8	AHKA 80 ...*	19.99	40
10	AHKA 100 ...*	21.01	40
12.5	AHKA 125 ...*	22.04	40
15	AHKA 150 ...*	23.06	40



Corner | end cap

Schlüter®-DILEX-AHKA/E

90° external corner

Art. No.	€ / U.	P (Unit)
E90 / AHKA / ...**	27.09	50

Schlüter®-DILEX-AHKA/E 135°

135° external corner

Art. No.	€ / U.	P (Unit)
E135 / AHKA / ...**	27.09	50

Schlüter®-DILEX-AHKA-AC/E

90° external corner

Art. No.	€ / U.	KV (Unit)
E90 / AHKA / ...*	27.08	50

Schlüter®-DILEX-AHKA-AC/E 135°

135° external corner

Art. No.	€ / U.	P (Unit)
E135 / AHKA / ...*	27.08	50

Schlüter®-DILEX-AHKA/I

90° internal corner

Art. No.	€ / U.	P (Unit)
I90 / AHKA / ...**	27.09	50

Schlüter®-DILEX-AHKA/I 135°

135° internal corner

Art. No.	€ / U.	P (Unit)
I135 / AHKA / ...**	27.09	50

Schlüter®-DILEX-AHKA-AC/I

90° internal corner

Art. No.	€ / U.	P (Unit)
I90 / AHKA / ...*	27.08	50

Schlüter®-DILEX-AHKA-AC/I 135°

135° internal corner

Art. No.	€ / U.	KV (Unit)
I135 / AHKA / ...*	27.08	50

Schlüter®-DILEX-AHKA/EL

end cap, left

Art. No.	€ / U.	P (Unit)
EL / AHKA / ...**	17.39	50

Schlüter®-DILEX-AHKA/ER

end cap, right

Art. No.	€ / U.	P (Unit)
ER / AHKA / ...**	17.39	50

Schlüter®-DILEX-AHKA-AC/EL

end cap, left

Art. No.	€ / U.	KV (Unit)
EL / AHKA / ...*	20.46	50

Schlüter®-DILEX-AHKA-AC/ER

end cap, right

Art. No.	€ / U.	P (Unit)
ER / AHKA / ...*	20.46	50



E90 / AHKA E135 / AHKA I90 / AHKA I135 / AHKA ER / AHKA EL / AHKA

To complete the art. no., add the finish/colour (e.g. EL / AHKA / BW)



* Finishes/colours: BW - MBW - MGS

** Finishes/colours: ACGB - AE

For an overview of finishes and colours, please see page 342.





Profiles for mortar and screed laying

Classic solution for expansion joints

Whether you need to divide screed zones or want to create expansion joints in conventional screed installation – the DILEX programme always has a matching solution:

- ✓ Made of stainless steel
- ✓ Made of rigid PVC
- ✓ In different profile heights
- ✓ Permanently maintenance-free

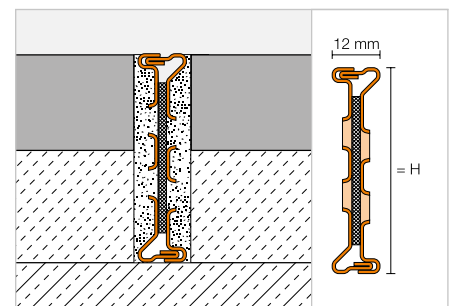


Movement joint profile

Schlüter®-DILEX-EMP



Schlüter-DILEX-EMP is a stainless steel movement joint profile for screeds with a tongue and groove connection to absorb horizontal movements.
(Product data sheet 4.17)



Schlüter®-DILEX-EMP

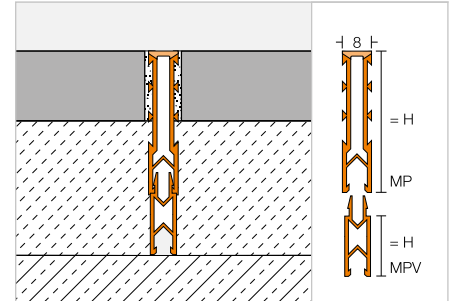
stainless steel V2A

H (mm)	L = 2.50 m Art. No.	€ / m	KV (Unit)
35	EMP 35	38.52	60
50	EMP 50	43.84	60
65	EMP 65	49.20	60

Expansion joint profile | extension

Schlüter®-DILEX-MP


Schlüter-DILEX-MP is an expansion profile with undercut sidewalls made of rigid, recycled PVC and a soft CPE expansion zone covering the sidewalls, complete with extension profiles for use in screed installation.
(Product data sheet 4.3)


Schlüter®-DILEX-MP 35

PVC / CPE

H (mm)	L = 2.50 m Art. No.	€ / m	KV (Unit)
35	MP 35 ...*	5.65	120

Schlüter®-DILEX-MP/V

extension

H (mm)	L = 2.50 m Art. No.	€ / m	KV (Unit)
15	MPV 15	3.27	120
25	MPV 25	3.45	120

To complete the art. no., add the colour (e.g. MP 35 GS)



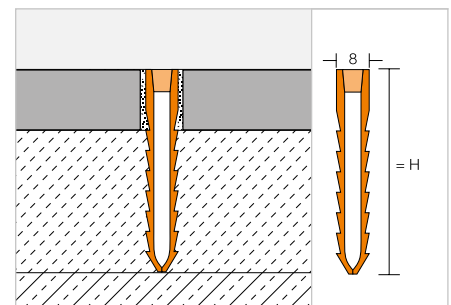
* Colours: G - GS - HB - ZR

For an overview of finishes and colours, please see page 342.

Expansion joint profile

Schlüter®-DILEX-MOP


Schlüter-DILEX-MOP is an expansion joint profile with serrated sidewalls made of rigid, recycled PVC and a grey, soft PVC expansion zone for use in screed applications.
(Product data sheet 4.4)


Schlüter®-DILEX-MOP

PVC

H (mm)	L = 2.50 m Art. No.	€ / m	KV (Unit)
35	MOP 35 G	4.22	120
50	MOP 50 G	5.43	120
65	MOP 65 G	6.01	120

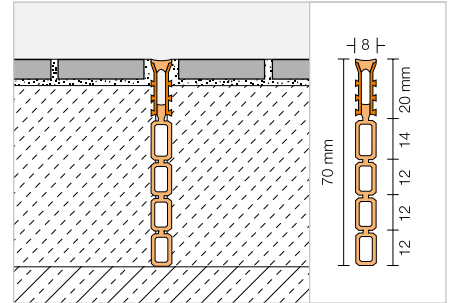


Tension relief and decorative profile

Schlüter®-DILEX-EZ 70



Schlüter-DILEX-EZ 70 is a decorative stress relief profile with undercut sidewalls made of rigid PVC and a soft PVC expansion zone for use in screed installation. The extension segments can be removed to adjust the profile to the height of the assembly.
(Product data sheet 4.2)



Schlüter®-DILEX-EZ 70

PVC

H (mm)	L = 2.50 m Art. No.	€ / m	KV (Unit)
70	EZ G 70	13.27	120

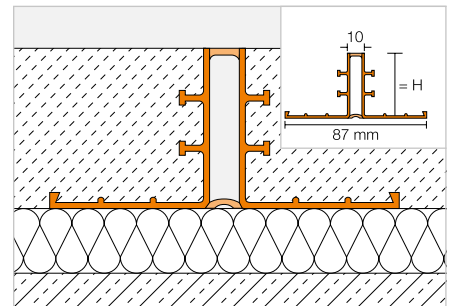
G = grey

Movement joint profile, screed

Schlüter®-DILEX-EP



Schlüter-DILEX-EP is a movement joint profile for installation in floating or bonded screeds. The side sections consist of rigid, recycled plastic connected on the top and bottom with soft, grey CPE movement zones.
(Product data sheet 4.5)



Schlüter®-DILEX-EP

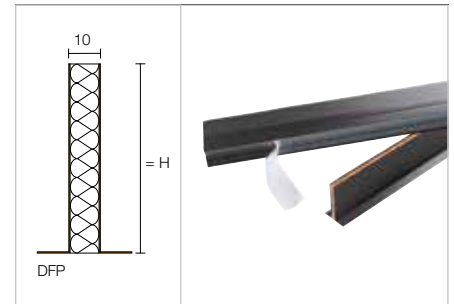
PVC / CPE

H (mm)	L = 2.50 m Art. No.	€ / m	KV (Unit)
30	EP 30	13.13	40
40	EP 40	13.56	40
50	EP 50	14.33	40

Expansion joint profile, screed

Schlüter®-DILEX-DFP


Schlüter-DILEX-DFP is a movement joint profile to be installed at door areas or used to divide screed areas.
(Product data sheet 9.1)


Schlüter®-DILEX-DFP

PE foam

H (mm)	L = 2.50 m Art. No.	€ / m	KV (Unit)
100	DFP 10/250	17.59	40

Schlüter®-DILEX-DFP

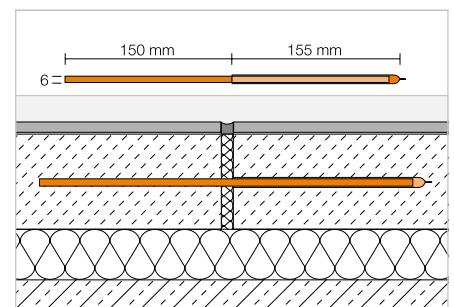
PE foam

H (mm)	L = 1.00 m Art. No.	€ / m	P (Unit)
60	DFP 6/100	13.30	20
80	DFP 8/100	15.63	20
100	DFP 10/100	18.21	20

Insert to prevent vertical height displacement

Schlüter®-DILEX-HVD


Schlüter-DILEX-HVD are dowel inserts for installation in the screed, to help prevent height displacement between two screed sections in the area of a movement joint.


Schlüter®-DILEX-HVD

steel

Art. No.	€ / Package	P (Package)
HVD / 10	23.42	10

Package = 10 units



Schlüter-profiles

Profiles for vinyl wall and floor coverings

A growing number of installers and retailers are adding resilient coverings, such as those made of vinyl, to their product offerings. As the inventors of Schlüter-SCHIENE – the original finishing profile, we are pleased to offer Schlüter-VINPRO, a unique range of finishing and transition profiles designed especially for LVT coverings. Whether on floors, walls or stair steps: Schlüter-VINPRO is available for resilient coverings in the proven quality expected from Schlüter.





Transition profiles

Schlüter®-VINPRO-T 160

Schlüter®-VINPRO-U 161

Finishing profiles

Schlüter®-VINPRO-S 162

Schlüter®-VINPRO-RO 163

Stair nosing profiles

Schlüter®-VINPRO-STEP 164

Schlüter®-VINPRO-STEP-R 165



Schlüter®-VINPRO

Profiles for vinyl floor and wall coverings

- ✓ Protects the edges of coverings in floors, walls and staircases
- ✓ Quick and simple to install
- ✓ Prevents trip edges at the transition to different floor coverings and heights
- ✓ Available in the following finishes:
 - brushed chrome anodised aluminium (ACGB)
 - brushed titanium anodised aluminium (ATGB)
 - brushed antique bronze anodised aluminium (ABGB)

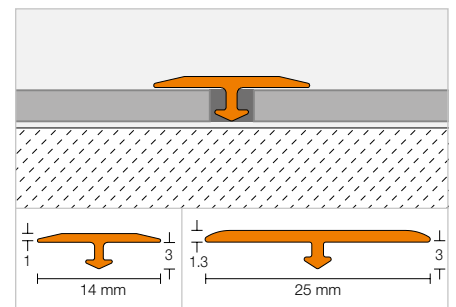


Transition profile

Schlüter®-VINPRO-T



Schlüter-VINPRO-T is a retrofitted profile to adjoin different types of resilient floor coverings of the same height (e.g. LVT, vinyl coverings).
(Product data sheet 18.2)



Schlüter®-VINPRO-T-ACGB

brushed chrome anodised aluminium

H (mm)	B (mm)	L = 2.50 m Art. No.	€ / m	KV (Unit)
3	14	VPT 3/14 ACGB	5.88	120
3	25	VPTL 3/25 ACGB	6.61	120

Schlüter®-VINPRO-T-ATGB

brushed titanium anodised aluminium

H (mm)	B (mm)	L = 2.50 m Art. No.	€ / m	KV (Unit)
3	14	VPT 3/14 ATGB	5.88	120
3	25	VPTL 3/25 ATGB	6.61	120

Schlüter®-VINPRO-T-ABGB

brushed antique bronze anodised aluminium

H (mm)	B (mm)	L = 2.50 m Art. No.	€ / m	KV (Unit)
3	14	VPT 3/14 ABGB	5.88	120
3	25	VPTL 3/25 ABGB	6.61	120

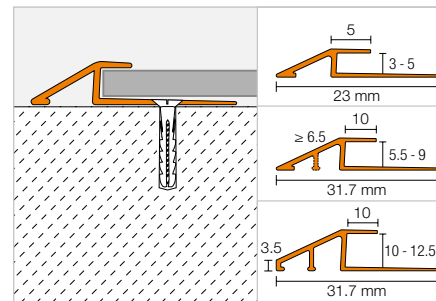
For an overview of finishes and colours, please see page 342.

Transition profile

Schlüter®-VINPRO-U


Schlüter-VINPRO-U is a profile to create step-less transitions from resilient floor coverings (e.g. LVT, vinyl coverings) to floor coverings at a lower height.

(Product data sheet 18.3)


Schlüter®-VINPRO-U-ACGB

brushed chrome anodised aluminium

H (mm)	L = 2.50 m Art. No.	€ / m	KV (Unit)
3	VPU 30 ACGB	9.83	120
4	VPU 40 ACGB	10.01	120
5	VPU 50 ACGB	10.33	120
5.5	VPUL 55 ACGB	10.55	120
6	VPUL 60 ACGB	11.18	120
6.5	VPUL 65 ACGB	11.59	120
7	VPUL 70 ACGB	12.18	120
7.5	VPUL 75 ACGB	12.76	120
8	VPUL 80 ACGB	13.62	120
8.5	VPUL 85 ACGB	14.49	120
9	VPUL 90 ACGB	15.35	120
10	VPUL 100 ACGB	16.23	120
11	VPUL 110 ACGB	17.10	120
12.5	VPUL 125 ACGB	17.97	120

Schlüter®-VINPRO-U-ATGB

brushed titanium anodised aluminium

H (mm)	L = 2.50 m Art. No.	€ / m	KV (Unit)
3	VPU 30 ATGB	9.83	120
4	VPU 40 ATGB	10.01	120
5	VPU 50 ATGB	10.33	120
5.5	VPUL 55 ATGB	10.55	120
6	VPUL 60 ATGB	11.18	120
6.5	VPUL 65 ATGB	11.59	120
7	VPUL 70 ATGB	12.18	120
7.5	VPUL 75 ATGB	12.76	120
8	VPUL 80 ATGB	13.62	120
8.5	VPUL 85 ATGB	14.49	120
9	VPUL 90 ATGB	15.35	120
10	VPUL 100 ATGB	16.23	120
11	VPUL 110 ATGB	17.10	120
12.5	VPUL 125 ATGB	17.97	120

Schlüter®-VINPRO-U-ABGB

brushed antique bronze anodised aluminium

H (mm)	L = 2.50 m Art. No.	€ / m	KV (Unit)
3	VPU 30 ABGB	9.83	120
4	VPU 40 ABGB	10.01	120
5	VPU 50 ABGB	10.33	120
5.5	VPUL 55 ABGB	10.55	120
6	VPUL 60 ABGB	11.18	120
6.5	VPUL 65 ABGB	11.59	120
7	VPUL 70 ABGB	12.18	120
7.5	VPUL 75 ABGB	12.76	120
8	VPUL 80 ABGB	13.62	120
8.5	VPUL 85 ABGB	14.49	120
9	VPUL 90 ABGB	15.35	120
10	VPUL 100 ABGB	16.23	120
11	VPUL 110 ABGB	17.10	120
12.5	VPUL 125 ABGB	17.97	120

For an overview of finishes and colours, please see page 342.



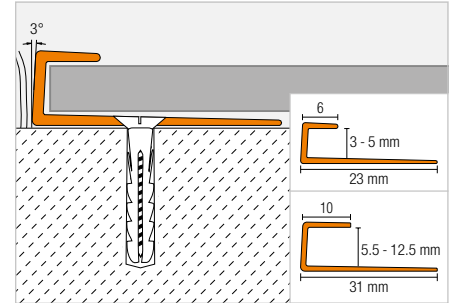
Finishing profile

Schlüter®-VINPRO-S



Schlüter-VINPRO-S is an edge profile for resilient coverings (e.g. LVT, vinyl coverings). It is designed to protect the edge of coverings at the transition to other coverings of the same or similar height or at the finishing edge of skirtings.

(Product data sheet 18.1)



Schlüter®-VINPRO-S-ACGB

brushed chrome anodised aluminium

H (mm)	L = 2.50 m Art. No.	€ / m	KV (Unit)
3	VPS 30 ACGB	8.76	120
4	VPS 40 ACGB	8.83	120
5	VPS 50 ACGB	8.90	120
5.5	VPSL 55 ACGB	9.28	120
6	VPSL 60 ACGB	9.61	120
6.5	VPSL 65 ACGB	9.97	120
7	VPSL 70 ACGB	10.32	120
7.5	VPSL 75 ACGB	10.66	120
8	VPSL 80 ACGB	11.01	120
8.5	VPSL 85 ACGB	11.37	120
9	VPSL 90 ACGB	11.71	120
10	VPSL 100 ACGB	12.05	120
11	VPSL 110 ACGB	12.40	120
12.5	VPSL 125 ACGB	12.76	120

Schlüter®-VINPRO-S-ATGB

brushed titanium anodised aluminium

H (mm)	L = 2.50 m Art. No.	€ / m	KV (Unit)
3	VPS 30 ATGB	8.76	120
4	VPS 40 ATGB	8.83	120
5	VPS 50 ATGB	8.90	120
5.5	VPSL 55 ATGB	9.28	120
6	VPSL 60 ATGB	9.61	120
6.5	VPSL 65 ATGB	9.97	120
7	VPSL 70 ATGB	10.32	120
7.5	VPSL 75 ATGB	10.66	120
8	VPSL 80 ATGB	11.01	120
8.5	VPSL 85 ATGB	11.37	120
9	VPSL 90 ATGB	11.71	120
10	VPSL 100 ATGB	12.05	120
11	VPSL 110 ATGB	12.40	120
12.5	VPSL 125 ATGB	12.76	120

Schlüter®-VINPRO-S-ABGB

brushed antique bronze anodised aluminium

H (mm)	L = 2.50 m Art. No.	€ / m	KV (Unit)
3	VPS 30 ABGB	8.76	120
4	VPS 40 ABGB	8.83	120
5	VPS 50 ABGB	8.90	120
5.5	VPSL 55 ABGB	9.28	120
6	VPSL 60 ABGB	9.61	120
6.5	VPSL 65 ABGB	9.97	120
7	VPSL 70 ABGB	10.32	120
7.5	VPSL 75 ABGB	10.66	120
8	VPSL 80 ABGB	11.01	120
8.5	VPSL 85 ABGB	11.37	120
9	VPSL 90 ABGB	11.71	120
10	VPSL 100 ABGB	12.05	120
11	VPSL 110 ABGB	12.40	120
12.5	VPSL 125 ABGB	12.76	120

For an overview of finishes and colours, please see page 342.

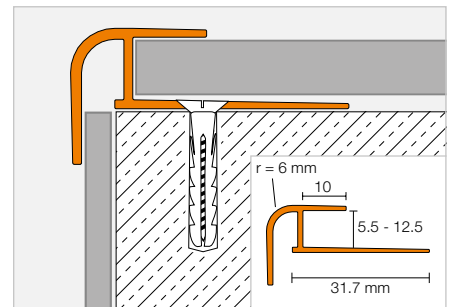
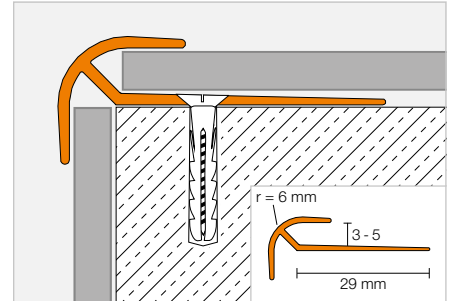


Example: Skirting detail

Finishing profile

Schlüter®-VINPRO-RO


Schlüter-VINPRO-RO is a finishing and edge protection profile for creating symmetrically rounded corners with resilient coverings (e.g. LVT, vinyl coverings).
(Product data sheet 18.5)


Schlüter®-VINPRO-RO-ACGB

brushed chrome anodised aluminium

H (mm)	L = 2.50 m Art. No.	€ / m	KV (Unit)
3	VPRO 30 ACGB	10.33	120
4	VPRO 40 ACGB	10.64	120
5	VPRO 50 ACGB	10.96	120
5.5	VPROL 55 ACGB	11.30	120
6	VPROL 60 ACGB	12.18	120
6.5	VPROL 65 ACGB	13.04	120
7	VPROL 70 ACGB	13.62	120
7.5	VPROL 75 ACGB	14.20	120
8	VPROL 80 ACGB	14.78	120
8.5	VPROL 85 ACGB	15.35	120
9	VPROL 90 ACGB	15.94	120
10	VPROL 100 ACGB	16.52	120
11	VPROL 110 ACGB	17.10	120
12.5	VPROL 125 ACGB	17.67	120

Schlüter®-VINPRO-RO-ATGB

brushed titanium anodised aluminium

H (mm)	L = 2.50 m Art. No.	€ / m	KV (Unit)
3	VPRO 30 ATGB	10.33	120
4	VPRO 40 ATGB	10.64	120
5	VPRO 50 ATGB	10.96	120
5.5	VPROL 55 ATGB	11.30	120
6	VPROL 60 ATGB	12.18	120
6.5	VPROL 65 ATGB	13.04	120
7	VPROL 70 ATGB	13.62	120
7.5	VPROL 75 ATGB	14.20	120
8	VPROL 80 ATGB	14.78	120
8.5	VPROL 85 ATGB	15.35	120
9	VPROL 90 ATGB	15.94	120
10	VPROL 100 ATGB	16.52	120
11	VPROL 110 ATGB	17.10	120
12.5	VPROL 125 ATGB	17.67	120

Schlüter®-VINPRO-RO-ABGB

brushed antique bronze anodised aluminium

H (mm)	L = 2.50 m Art. No.	€ / m	KV (Unit)
3	VPRO 30 ABGB	10.33	120
4	VPRO 40 ABGB	10.64	120
5	VPRO 50 ABGB	10.96	120
5.5	VPROL 55 ABGB	11.30	120
6	VPROL 60 ABGB	12.18	120
6.5	VPROL 65 ABGB	13.04	120
7	VPROL 70 ABGB	13.62	120
7.5	VPROL 75 ABGB	14.20	120
8	VPROL 80 ABGB	14.78	120
8.5	VPROL 85 ABGB	15.35	120
9	VPROL 90 ABGB	15.94	120
10	VPROL 100 ABGB	16.52	120
11	VPROL 110 ABGB	17.10	120
12.5	VPROL 125 ABGB	17.67	120

For an overview of finishes and colours, please see page 342.



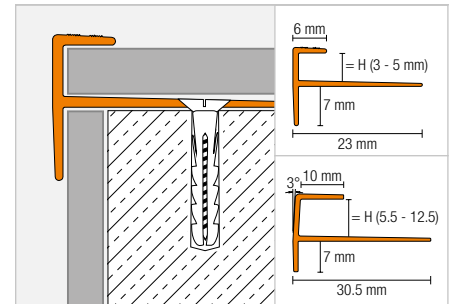
Stair nosing profile

Schlüter®-VINPRO-STEP



Schlüter-VINPRO-STEP is a finishing and edge protection profile for resilient coverings (e.g. LVT, vinyl coverings) on stairs. The profile has a rectangular shape and features an anti-slip textured footer.

(Product data sheet 18.4)



Schlüter®-VINPRO-STEP-ACGB

brushed chrome anodised aluminium

H (mm)	L = 2.50 m Art. No.	€ / m	KV (Unit)
3	VPST 30 ACGB	10.38	120
4	VPST 40 ACGB	10.64	120
5	VPST 50 ACGB	10.96	120
5.5	VPSTL 55 ACGB	11.88	120
6	VPSTL 60 ACGB	12.29	120
6.5	VPSTL 65 ACGB	12.69	120
7	VPSTL 70 ACGB	13.10	120
7.5	VPSTL 75 ACGB	13.50	120
8	VPSTL 80 ACGB	13.91	120
8.5	VPSTL 85 ACGB	14.32	120
9	VPSTL 90 ACGB	14.72	120
10	VPSTL 100 ACGB	15.18	120
11	VPSTL 110 ACGB	15.42	120
12.5	VPSTL 125 ACGB	15.76	120

Schlüter®-VINPRO-STEP-ATGB

brushed titanium anodised aluminium

H (mm)	L = 2.50 m Art. No.	€ / m	KV (Unit)
3	VPST 30 ATGB	10.38	120
4	VPST 40 ATGB	10.64	120
5	VPST 50 ATGB	10.96	120
5.5	VPSTL 55 ATGB	11.88	120
6	VPSTL 60 ATGB	12.29	120
6.5	VPSTL 65 ATGB	12.69	120
7	VPSTL 70 ATGB	13.10	120
7.5	VPSTL 75 ATGB	13.50	120
8	VPSTL 80 ATGB	13.91	120
8.5	VPSTL 85 ATGB	14.32	120
9	VPSTL 90 ATGB	14.72	120
10	VPSTL 100 ATGB	15.18	120
11	VPSTL 110 ATGB	15.42	120
12.5	VPSTL 125 ATGB	15.76	120

Schlüter®-VINPRO-STEP-ABGB

brushed antique bronze anodised aluminium

H (mm)	L = 2.50 m Art. No.	€ / m	KV (Unit)
3	VPST 30 ABGB	10.38	120
4	VPST 40 ABGB	10.64	120
5	VPST 50 ABGB	10.96	120
5.5	VPSTL 55 ABGB	11.88	120
6	VPSTL 60 ABGB	12.29	120
6.5	VPSTL 65 ABGB	12.69	120
7	VPSTL 70 ABGB	13.10	120
7.5	VPSTL 75 ABGB	13.50	120
8	VPSTL 80 ABGB	13.91	120
8.5	VPSTL 85 ABGB	14.32	120
9	VPSTL 90 ABGB	14.72	120
10	VPSTL 100 ABGB	15.18	120
11	VPSTL 110 ABGB	15.42	120
12.5	VPSTL 125 ABGB	15.76	120

For an overview of finishes and colours, please see page 342.

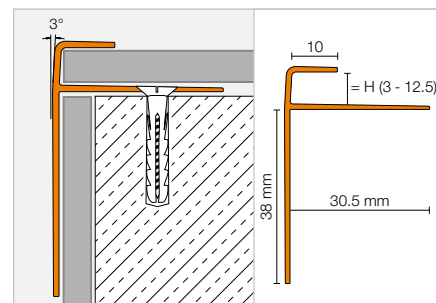
Stair nosing profile

Schlüter®-VINPRO-STEP-R


Schlüter-VINPRO-STEP-R is a finishing and edge profile for resilient coverings (e.g. LVT, vinyl coverings) on stairs. The top portion of the profile features a chamfered 10 mm textured footer with rounded front edge, which conceals the cut edge of resilient floor coverings.

The extended vertical section along the riser ensures optimum visibility. The tapered conical anchoring leg of VINPRO-STEP-R has evenly spaced drillings along the profile length for screw attachment. However, the anchoring leg can also be adhered to the substrate with an installation adhesive such as Schlüter-KERDI-FIX.

(Product data sheet 18.4)


Schlüter®-VINPRO-STEP-R-ACGB

brushed chrome anodised aluminium

H (mm)	L = 2.50 m Art. No.	€ / m	KV (Unit)
3	VPSTRL 30 ACGB	15.35	120
4	VPSTRL 40 ACGB	15.64	120
5	VPSTRL 50 ACGB	15.76	120
5.5	VPSTRL 55 ACGB	15.94	120
6	VPSTRL 60 ACGB	16.23	120
6.5	VPSTRL 65 ACGB	16.81	120
7	VPSTRL 70 ACGB	17.39	120
7.5	VPSTRL 75 ACGB	17.97	120
8	VPSTRL 80 ACGB	18.54	120
8.5	VPSTRL 85 ACGB	19.13	120
9	VPSTRL 90 ACGB	19.71	120
10	VPSTRL 100 ACGB	20.28	120
11	VPSTRL 110 ACGB	20.87	120
12.5	VPSTRL 125 ACGB	21.74	120

Schlüter®-VINPRO-STEP-R-ATGB

brushed titanium anodised aluminium

H (mm)	L = 2.50 m Art. No.	€ / m	KV (Unit)
3	VPSTRL 30 ATGB	15.35	120
4	VPSTRL 40 ATGB	15.64	120
5	VPSTRL 50 ATGB	15.76	120
5.5	VPSTRL 55 ATGB	15.94	120
6	VPSTRL 60 ATGB	16.23	120
6.5	VPSTRL 65 ATGB	16.81	120
7	VPSTRL 70 ATGB	17.39	120
7.5	VPSTRL 75 ATGB	17.97	120
8	VPSTRL 80 ATGB	18.54	120
8.5	VPSTRL 85 ATGB	19.13	120
9	VPSTRL 90 ATGB	19.71	120
10	VPSTRL 100 ATGB	20.28	120
11	VPSTRL 110 ATGB	20.87	120
12.5	VPSTRL 125 ATGB	21.74	120

Schlüter®-VINPRO-STEP-R-ABGB

brushed antique bronze anodised aluminium

H (mm)	L = 2.50 m Art. No.	€ / m	KV (Unit)
3	VPSTRL 30 ABGB	15.35	120
4	VPSTRL 40 ABGB	15.64	120
5	VPSTRL 50 ABGB	15.76	120
5.5	VPSTRL 55 ABGB	15.94	120
6	VPSTRL 60 ABGB	16.23	120
6.5	VPSTRL 65 ABGB	16.81	120
7	VPSTRL 70 ABGB	17.39	120
7.5	VPSTRL 75 ABGB	17.97	120
8	VPSTRL 80 ABGB	18.54	120
8.5	VPSTRL 85 ABGB	19.13	120
9	VPSTRL 90 ABGB	19.71	120
10	VPSTRL 100 ABGB	20.28	120
11	VPSTRL 110 ABGB	20.87	120
12.5	VPSTRL 125 ABGB	21.74	120

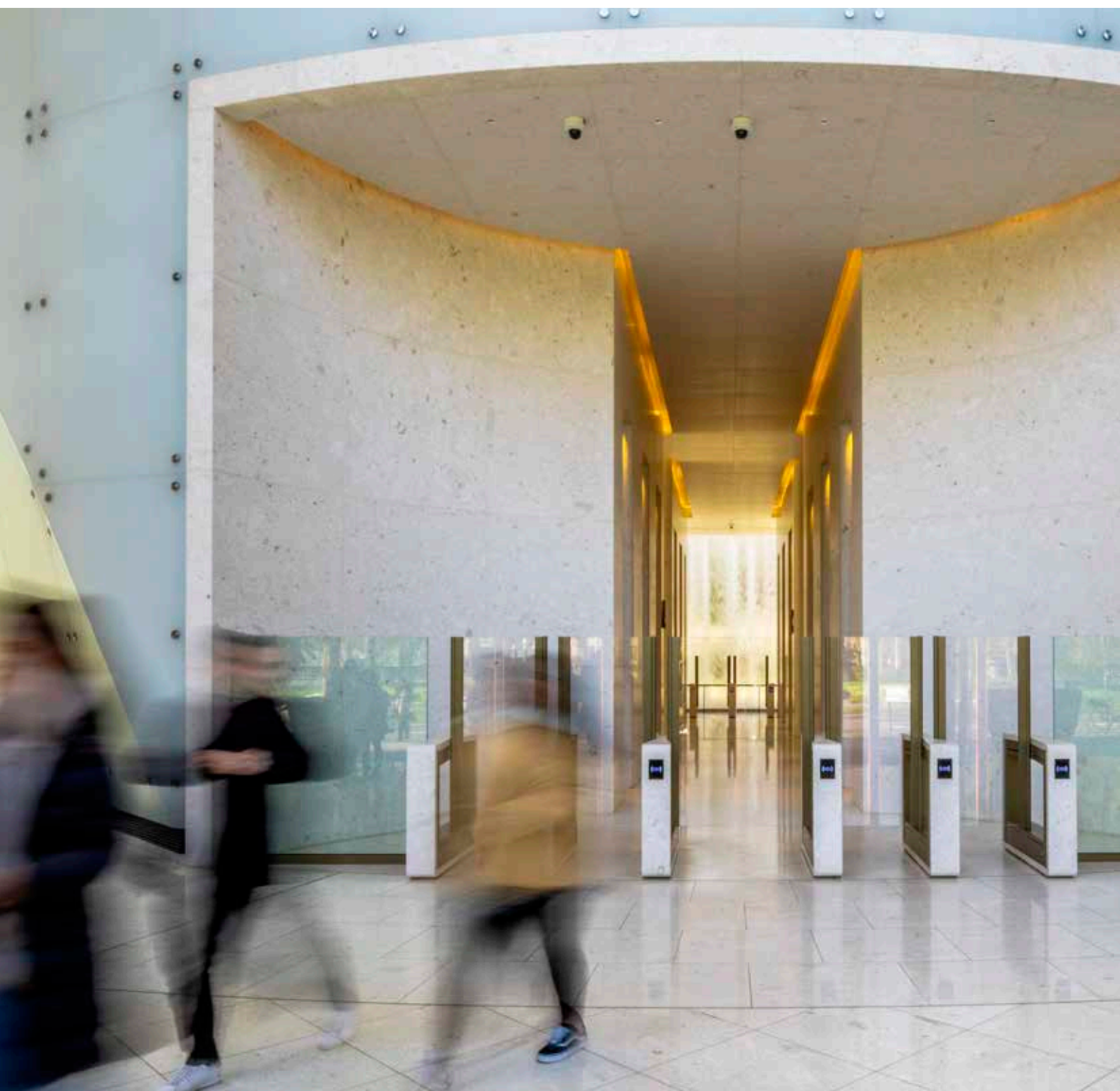
For an overview of finishes and colours, please see page 342.



Schlüter®-DITRA

Waterproofing, uncoupling, drainage,
heating, sound insulation

The uncoupling mats and bonded waterproofing assemblies of the Schlüter-DITRA product family have been proven solutions all over the world for more than 35 years. They enable the installation of tiles even in unfavourable conditions. For example, Schlüter-DITRA-DRAIN, the first-ever passive capillary bonded drainage matting, uncouples and ventilates the covering to ensure reliable, fast curing of the tile adhesive, including underneath large format tile and stone. Schlüter-DITRA-HEAT-E allows for the quick and cost-effective electrical heating of individual tiled areas.



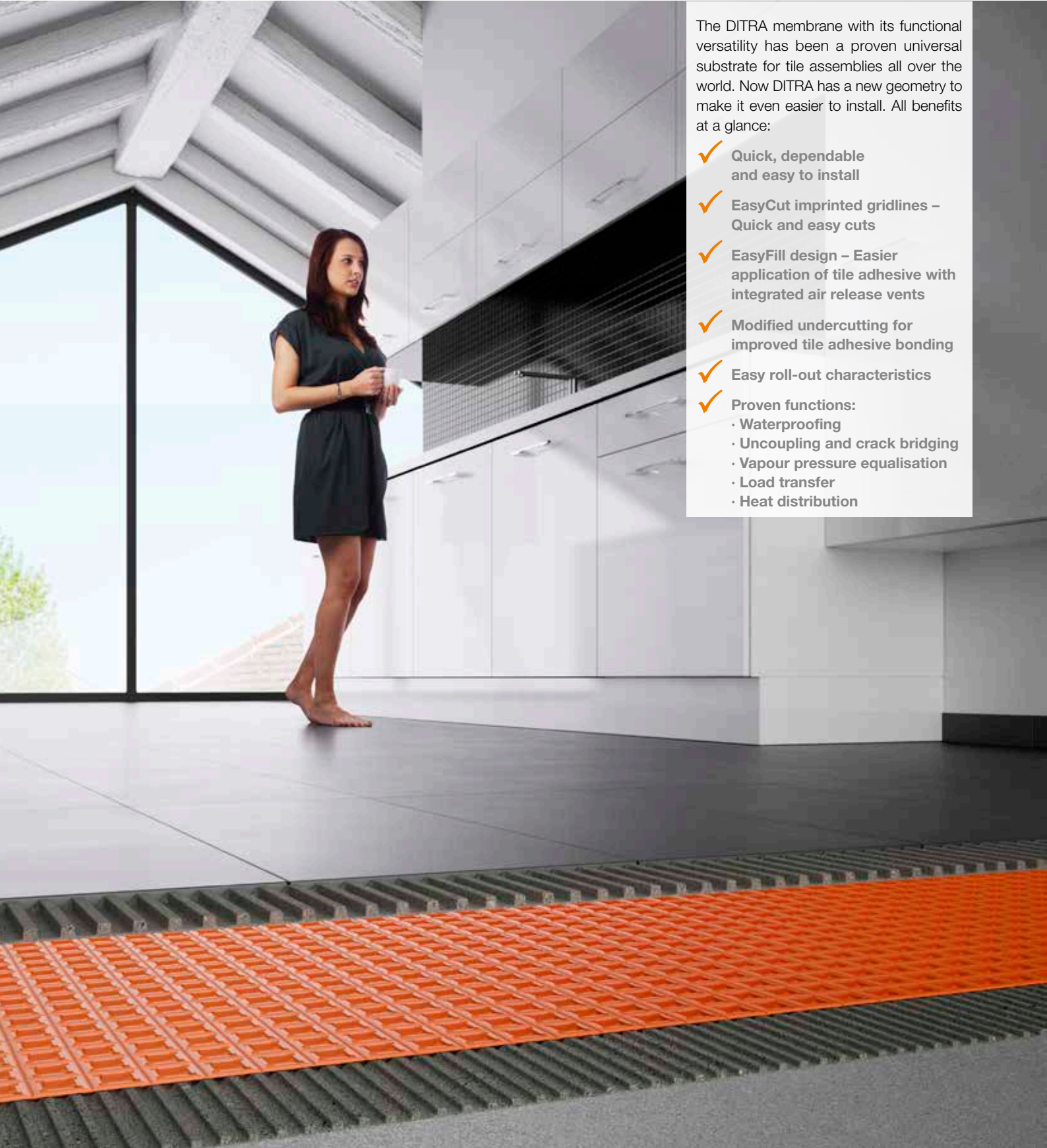


Bonded uncoupling	
Schlüter®-DITRA	169
Bonded uncoupling and drainage	
Schlüter®-DITRA-DRAIN	171
Bonded uncoupling and heating	
Schlüter®-DITRA-HEAT	173
Schlüter®-DITRA-HEAT-E	174–177
Schlüter®-DITRA-HEAT-PS	179
Heating cable	
Schlüter®-DITRA-HEAT-E-HK	180
Schlüter®-DITRA-HEAT-E-CHC	181
Temperature control	
Schlüter®-DITRA-HEAT-E-R	182–183
Impact sound insulation	
Schlüter®-DITRA-SOUND	185
Accessories	
Schlüter®-DITRA-HEAT-E-KARO	183
Schlüter®-DITRA-HEAT-E-CT	183
Schlüter®-DITRA-HEAT-E-ZS	183



Schlüter®-DITRA

The original. Now even better.

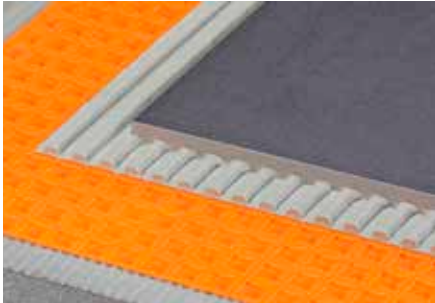


The DITRA membrane with its functional versatility has been a proven universal substrate for tile assemblies all over the world. Now DITRA has a new geometry to make it even easier to install. All benefits at a glance:

- ✓ **Quick, dependable and easy to install**
- ✓ **EasyCut imprinted gridlines – Quick and easy cuts**
- ✓ **EasyFill design – Easier application of tile adhesive with integrated air release vents**
- ✓ **Modified undercutting for improved tile adhesive bonding**
- ✓ **Easy roll-out characteristics**
- ✓ **Proven functions:**
 - Waterproofing
 - Uncoupling and crack bridging
 - Vapour pressure equalisation
 - Load transfer
 - Heat distribution

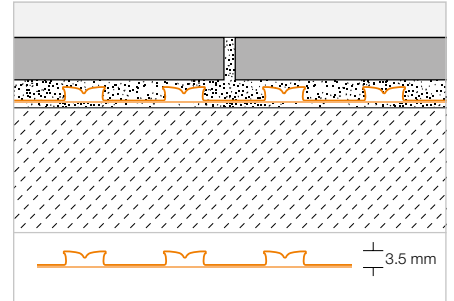
Bonded uncoupling

Schlüter®-DITRA



Schlüter-DITRA is a polypropylene membrane with square, dovetailed EasyFill recesses and an anchoring fleece laminated to the underside. In conjunction with tiled coverings, Schlüter-DITRA forms an uncoupling, bonded waterproofing and vapour pressure equalisation layer.

(Product data sheet 6.1)



Schlüter®-DITRA

polypropylene rolls

L x B = m ²	Art. No.	€ / m ²	PL (Roll)
5.1 x 0.995 = 5	D 5M	23.18	22
30.2 x 0.995 = 30	D 30M	19.21	6

Tool tip:

Schlüter-TROWEL, 4 x 4 notching,
see page 339.





Schlüter®-DITRA-DRAIN

With larger tile sizes



Large tile formats can be demanding, starting with the installation process. Schlüter-DITRA-DRAIN is there to help. Designed to ventilate the entire covering and promote the quick curing of the tile adhesive. But that is not all – as this summary of all functions shows:

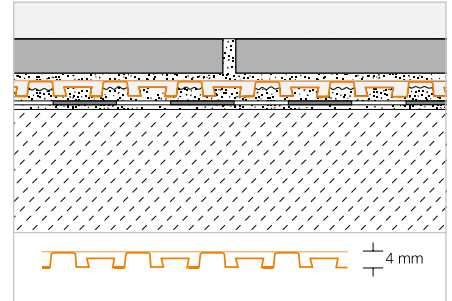
- ✓ Vapour pressure equalisation
- ✓ Bonded uncoupling
- ✓ Adhesive drainage

Bonded drainage

Schlüter®-DITRA-DRAIN 4



Schlüter-DITRA-DRAIN 4 is an impact resistant polyethylene mat with a special stud structure on one side and a polypropylene webbing laminated on the upper side. It is a universal substrate for tile coverings, which serves as an uncoupling layer and a permanently effective passive capillary drainage mat. (Product data sheet 6.2)



Schlüter®-DITRA-DRAIN 4

polyethylene rolls

L (m)	width = 1.00 m Art. No.	€ / m ²	PL (Roll)
10	DITRA-DRAIN 10M	24.19	12
25	DITRA-DRAIN 25M	21.83	6

Tool tip:

Schlüter-TROWEL, 6 x 6 notching,
see page 339.

Schlüter®-DITRA-DRAIN-STU

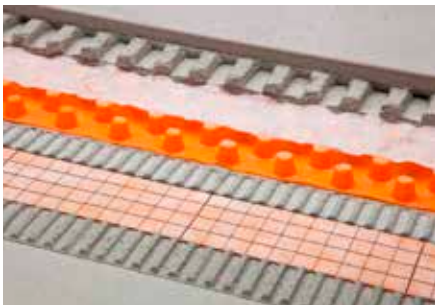
self-adhesive joint tape

L (m)	width = 90 mm Art. No.	€ / m	P (Unit)
5	STUV KB 90/ 5M	8.16	10
30	STUV KB 90/30M	7.22	10

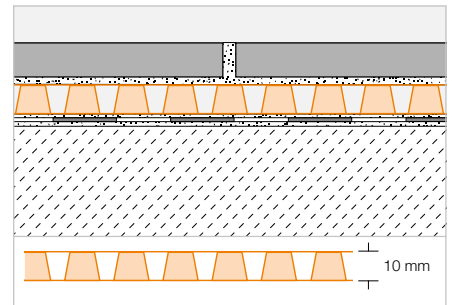


Bonded drainage

Schlüter®-DITRA-DRAIN 8



Schlüter-DITRA-DRAIN 8 is an impact resistant polyethylene mat with a special stud structure. It features a fleece fabric on the underside for bonding with the tile adhesive and a special fleece on the top. Schlüter-DITRA-DRAIN 8 is a universal substrate for tile coverings, which serves as an uncoupling layer and a permanently effective passive capillary bonded drainage mat. (Product data sheet 6.2)



Schlüter®-DITRA-DRAIN 8

polyethylene rolls

L (m)	width = 1.00 m Art. No.	€ / m ²	PL (Roll)
12.5	DITRA-DRAIN 8 12M	23.18	6

Schlüter®-DITRA-DRAIN-STU

self-adhesive joint tape

L (m)	width = 90 mm Art. No.	€ / m	P (Unit)
5	STUV KB 90/ 5M	8.16	10
30	STUV KB 90/30M	7.22	10

Tool tip:

Schlüter-TROWEL, 4 x 4 notching,
see page 339.



Schlüter®-DITRA-HEAT-E

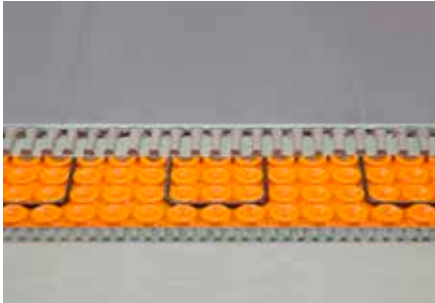
Warm feet guaranteed

If you think an electrical floor and wall heating system is too expensive, re-calculate your investment with Schlüter-DITRA-HEAT-E. The system's quick heat-up response and precise control makes it easy to have warm feet without draining your wallet. The simple press-to-fit heating cables within the uncoupling membrane layer saves considerable time during installation.

- ✓ **The pleasant room climate is suitable for allergy sufferers**
- ✓ **Precise customisable control**
- ✓ **Cost-effective, durable and maintenance-free**
- ✓ **Now even easier to cut and install**
- ✓ **Uncouples the covering from the substrate**
- ✓ **Impact sound reduction with Schlüter-DITRA-HEAT-DUO**
- ✓ **Also suitable for waterproofing**

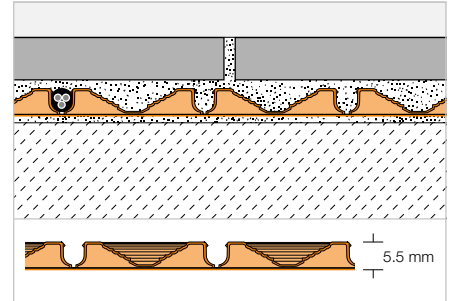


Bonded uncoupling | heating

Schlüter®-DITRA-HEAT

Schlüter-DITRA-HEAT is a polypropylene membrane with a cut back stud structure and an anchoring fleece laminated on the underside. It is a universal substrate for tile coverings, which serves as an uncoupling layer, bonded waterproofing and vapour barrier, designed for the attachment of the matching heating cables for floor and wall heating solution.

(Product data sheet 6.4)

**Schlüter®-DITRA-HEAT-MA**

polypropylene mats

L x B = m ²	Art. No.	€ / m ²	PL (Unit)
0.8 x 0.98 = 0.78	DH5 MA	24.17	100

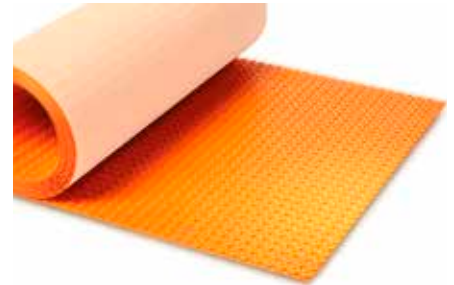
Tool tip:

Schlüter-TROWEL, 6 x 6 notching, see page 339.

Schlüter®-DITRA-HEAT

polypropylene rolls

L x B = m ²	Art. No.	€ / m ²	PL (Roll)
12.76 x 0.98 = 12.5	DH5 12M	21.48	6

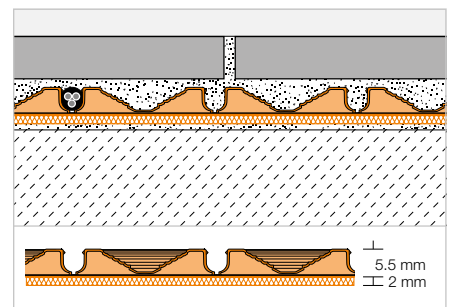


Bonded uncoupling | heating

Schlüter®-DITRA-HEAT-DUO

Schlüter-DITRA-HEAT-DUO is a polypropylene membrane with a cut back stud structure and a special, 2 mm anchoring fleece laminated on the underside. The unique thermal break fleece, in addition to reducing impact sound by up to 13 dB, enables faster heating response. A universal substrate for tile coverings, which serves as a bonded waterproofing, uncoupling, crack bridging, and vapour pressure equalisation layer. Designed for the attachment of the matching system heating cables for a floor and wall solution.

(Product data sheet 6.4)

**Schlüter®-DITRA-HEAT-DUO-MA**

polypropylene mats with 2 mm thermal break fleece

L x B = m ²	Art. No.	€ / m ²	PL (Unit)
0.8 x 0.98 = 0.78	DH D 8 MA	29.33	100

Tool tip:

Schlüter-TROWEL, 6 x 6 notching, see page 339.

Schlüter®-DITRA-HEAT-DUO

polypropylene rolls with 2 mm thermal break fleece

L x B = m ²	Art. No.	€ / m ²	PL (Roll)
10.2 x 0.98 = 10	DH D 810 M	26.04	6





Bonded uncoupling | heating



Schlüter®-DITRA-HEAT-E-S



Schlüter-DITRA-HEAT-E-S are complete sets for electrical heating of floor and wall coverings. They contain the uncoupling mats Schlüter-DITRA-HEAT-MA, the heating cables Schlüter-DITRA-HEAT-E-HK, and the touch-screen thermostat Schlüter-DITRA-HEAT-E-R or the touch-screen thermostat Schlüter-DITRA-HEAT-E-R6 with WiFi connection and optional voice control. Where necessary, the uncoupled area can be expanded with additional Schlüter-DITRA-HEAT membranes. (Product data sheet 6.4)

All sets include:

- Schlüter-DITRA-HEAT-MA uncoupling mats, see table
- Heating cable Schlüter-DITRA-HEAT-E-HK; see table (installation around every 3rd stud \triangleq 136 W/m² / installation around every 2nd stud \triangleq 200 W/m²)
- 1 x Schlüter-DITRA-HEAT-E-R touchscreen thermostat or DITRA-HEAT-E-R6 touchscreen thermostat with WiFi connection and optional voice control
- 2 x junction boxes
- 1 x conduit (3 m)

Schlüter®-DITRA-HEAT-E-S

complete set for floor and wall

Schlüter®-DITRA-HEAT-MA		Schlüter®-DITRA-HEAT-E-HK				Art. No.	€ / Set	P (Set)
Number of mats	Uncoupled area in m ²	Heated floor, 136 W/m ² *		Heated wall, 200 W/m ² **				
		m ²	W	m ²	W			
4	3.1	2.2	300	1.5	300	DH S3	560.76	9
7	5.4	3.8	525	2.6	525	DH S1	747.69	4
10	7.8	5.5	750	3.7	750	DH S2	928.15	4

Schlüter®-DITRA-HEAT-E-S



complete set for floor and wall installation with WiFi connection and optional voice control

Schlüter®-DITRA-HEAT-MA		Schlüter®-DITRA-HEAT-E-HK				Art. No.	€ / Set	P (Set)
Number of mats	Uncoupled area in m ²	Heated floor, 136 W/m ² *		Heated wall, 200 W/m ² **				
		m ²	W	m ²	W			
4	3.1	2.2	300	1.5	300	DH RT6 S3	591.33	9
7	5.4	3.8	525	2.6	525	DH RT6 S1	776.39	4
10	7.8	5.5	750	3.7	750	DH RT6 S2	957.65	4

* for use in floor and wall areas ** for use in wall areas only

Bonded uncoupling | heating



Schlüter®-DITRA-HEAT-E-WS



Schlüter-DITRA-HEAT-E-WS are complete sets for electrical heating of wall coverings. They contain the uncoupling mats Schlüter-DITRA-HEAT-MA, the heating cables Schlüter-DITRA-HEAT-E-HK, and the touch-screen thermostat Schlüter-DITRA-HEAT-E-R or the touch-screen thermostat Schlüter-DITRA-HEAT-E-R6 with WiFi connection and optional voice control. Where necessary, the uncoupled area can be expanded with additional Schlüter-DITRA-HEAT membranes. (Product data sheet 6.4)

All sets include:

- Schlüter-DITRA-HEAT-MA uncoupling mats, see table
- Heating cable Schlüter-DITRA-HEAT-E-HK; see table (installation around every 2nd stud Δ 200 W/m²)
- 1 x Schlüter-DITRA-HEAT-E-R touchscreen thermostat or DITRA-HEAT-E-R6 touchscreen thermostat with WiFi connection and optional voice control
- 2 x junction boxes
- 1 x conduit (3 m)

Schlüter®-DITRA-HEAT-E-WS

complete wall installation system

Schlüter®-DITRA-HEAT-MA		Schlüter®-DITRA-HEAT-E-HK		Art. No.	€ / Set	P (Set)
Number of mats	Uncoupled area in m ²	Heated wall, 200 W/m ²				
		m ²	W			
3	2.3	1.8	375	DH WS2	599.44	9
4	3.1	2.6	525	DH WS1	709.00	9

Schlüter®-DITRA-HEAT-E-WS



complete set for wall installation with WiFi connection and optional voice control

Schlüter®-DITRA-HEAT-MA		Schlüter®-DITRA-HEAT-E-HK		Art. No.	€ / Set	P (Set)
Number of mats	Uncoupled area in m ²	Heated wall, 200 W/m ²				
		m ²	W			
3	2.3	1.8	375	DH RT6 WS2	628.09	9
4	3.1	2.5	525	DH RT6 WS1	738.37	9



Bonded uncoupling | heating



Schlüter®-DITRA-HEAT-E-DUO-S



Schlüter-DITRA-HEAT-E-DUO-S are complete sets for electrical heating of floor and wall coverings. They contain the uncoupling mats Schlüter-DITRA-HEAT-DUO-MA (0.8 x 0.98 m), the heating cables Schlüter-DITRA-HEAT-E-HK, and the touchscreen thermostat Schlüter-DITRA-HEAT-E-R or the touchscreen thermostat Schlüter-DITRA-HEAT-E-R6 with WiFi connection and optional voice control. Due to the unique anchoring fleece, the uncoupling mat not only reduces impact sound, but also provides a quicker heat-up response. Where necessary, the uncoupled area can be expanded with additional Schlüter-DITRA-HEAT-DUO membranes.
(Product data sheet 6.4)

All sets include:

- Schlüter-DITRA-HEAT-DUO-MA uncoupling mats, see table
- Heating cable Schlüter-DITRA-HEAT-E-HK; see table (installation around every 3rd stud $\pm 136 \text{ W/m}^2$ / installation around every 2nd stud $\pm 200 \text{ W/m}^2$)
- 1 x Schlüter-DITRA-HEAT-E-R touchscreen thermostat or DITRA-HEAT-E-R6 touchscreen thermostat with WiFi connection and optional voice control
- 2 x junction boxes
- 1 x conduit (3 m)

Schlüter®-DITRA-HEAT-E-DUO-S

complete set for floor and wall

Schlüter®-DITRA-HEAT-DUO-MA		Schlüter®-DITRA-HEAT-E-HK				Art. No.	€ / Set	P (Set)
Number of mats	Uncoupled area in m ²	Heated floor, 136 W/m ² *		Heated wall, 200 W/m ² **				
		m ²	W	m ²	W			
2	1.5	1.1	150	0.7	150	DH D S1	498.89	9
3	2.3	1.6	225	1	225	DH D S2	554.32	9
4	3.1	2.2	300	1.5	300	DH D S3	599.44	9
5	3.9	2.7	375	1.8	375	DH D S4	663.89	8
6	4.7	3.3	450	2.2	450	DH D S5	728.33	8
7	5.4	3.8	525	2.6	525	DH D S6	801.83	5
8	6.2	4.4	600	2.9	600	DH D S7	866.28	5
9	7	5	675	3.3	675	DH D S8	943.63	4
10	7.8	5.5	750	3.7	750	DH D S9	999.06	4

Schlüter®-DITRA-HEAT-E-DUO-S



complete set for floor and wall installation with WiFi connection and optional voice control

Schlüter®-DITRA-HEAT-DUO-MA		Schlüter®-DITRA-HEAT-E-HK				Art. No.	€ / Set	P (Set)
Number of mats	Uncoupled area in m ²	Heated floor, 136 W/m ² *		Heated wall, 200 W/m ² **				
		m ²	W	m ²	W			
2	1.5	1.1	150	0.7	150	DH D RT6 S1	530.49	9
3	2.3	1.6	225	1	225	DH D RT6 S2	583.72	9
4	3.1	2.2	300	1.5	300	DH D RT6 S3	628.09	9
5	3.9	2.7	375	1.8	375	DH D RT6 S4	692.74	8
6	4.7	3.3	450	2.2	450	DH D RT6 S5	757.37	8
7	5.4	3.8	525	2.6	525	DH D RT6 S6	830.90	5
8	6.2	4.4	600	2.9	600	DH D RT6 S7	895.55	5
9	7	5	675	3.3	675	DH D RT6 S8	972.87	4
10	7.8	5.5	750	3.7	750	DH D RT6 S9	1031.16	4

* for use in floor and wall areas ** for use in wall areas only

Bonded uncoupling | heating



Schlüter®-DITRA-HEAT-E-DUO-WS



Schlüter-DITRA-HEAT-E-DUO-WS are complete sets for electrical heating of wall coverings. They contain the uncoupling mats Schlüter-DITRA-HEAT-DUO-MA (0.8 x 0.98 m), the heating cables Schlüter-DITRA-HEAT-E-HK, and the touchscreen thermostat Schlüter-DITRA-HEAT-E-R or the touchscreen thermostat Schlüter-DITRA-HEAT-E-R6 with WiFi connection and optional voice control. Thanks to its special anchoring fleece, the uncoupling mat facilitates a quicker heat-up response. Where necessary, the uncoupled area can be expanded with additional Schlüter-DITRA-HEAT-DUO membranes.

(Product data sheet 6.4)

All sets include:

- Schlüter-DITRA-HEAT-DUO-MA uncoupling mats, see table
- Heating cable Schlüter-DITRA-HEAT-E-HK; see table (installation around every 2nd stud Δ 200 W/m²)
- 1 x Schlüter-DITRA-HEAT-E-R touchscreen thermostat or DITRA-HEAT-E-R6 touchscreen thermostat with WiFi connection and optional voice control
- 2 x junction boxes
- 1 x conduit (3 m)

Schlüter®-DITRA-HEAT-E-DUO-WS

complete wall installation system

Schlüter®-DITRA-HEAT-DUO-MA		Schlüter®-DITRA-HEAT-E-HK		Art. No.	€ / Set	P (Set)
Number of mats	Uncoupled area in m ²	Heated wall, 200 W/m ²				
		m ²	W			
3	2.3	1.8	375	DH D S11	611.55	9
4	3.1	2.6	525	DH D S10	725.13	9

Schlüter®-DITRA-HEAT-E-DUO-WS



complete set for wall installation with WiFi connection and optional voice control

Schlüter®-DITRA-HEAT-DUO-MA		Schlüter®-DITRA-HEAT-E-HK		Art. No.	€ / Set	P (Set)
Number of mats	Uncoupled area in m ²	Heated wall, 200 W/m ²				
		m ²	W			
3	2.3	1.8	375	DH D RT6 S11	640.76	9
4	3.1	2.6	525	DH D RT6 S10	754.84	9



Schlüter®-DITRA-HEAT-PS

Easy to install with Peel & Stick technology

With suitable substrates, Peel & Stick variants can simplify installation and save valuable time and materials compared to conventional DITRA-HEAT. Since the new DITRA-HEAT-PS (Peel & Stick) features a fleece covered in pressure sensitive adhesive laminated to the underside, no tile adhesive is required underneath the mat. That saves significant amounts of material and time. All other functions of the proven DITRA-HEAT mat remain unchanged.

- ✓ **No need to use tile adhesive to bond to substrate**
- ✓ **Quick and easy to install**
- ✓ **Easy to reposition during installation**
- ✓ **Saves time and material**
- ✓ **Immediately load bearing after installation**
- ✓ **Uncouples the covering from the substrate**
- ✓ **Easy installation of matching heating cables**
- ✓ **Also available as DITRA-HEAT-DUO-PS with additional impact sound insulation and faster heat-up response**

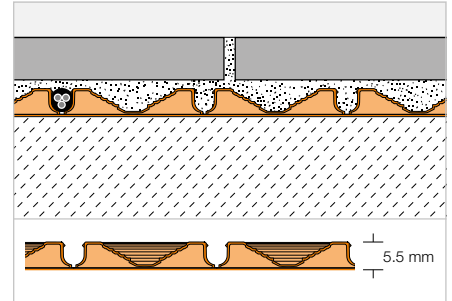


Peel & Stick bonded uncoupling | heating

Schlüter®-DITRA-HEAT-PS

Schlüter-DITRA-HEAT-PS is a polypropylene membrane with a cut back stud structure and a fleece covered in pressure sensitive adhesive laminated to the underside. After peeling off the release film, DITRA-HEAT-PS can be installed on suitable substrates without the use of tile adhesive. Designed to facilitate attachment of the matching heating cables for floor heating it should be used as an uncoupling layer, and a waterproofing and vapour barrier, when installing tiles and other floor coverings.

(Product data sheet 6.5)

**Schlüter®-DITRA-HEAT-MA-PS**

Peel & Stick polypropylene mats

L x B = m ²	Art. No.	€ / m ²	PL (Unit)
0.8 x 0.98 = 0.78	DH PS 5 MA	31.58	100

Schlüter®-DITRA-HEAT-PS

Peel & Stick polypropylene rolls

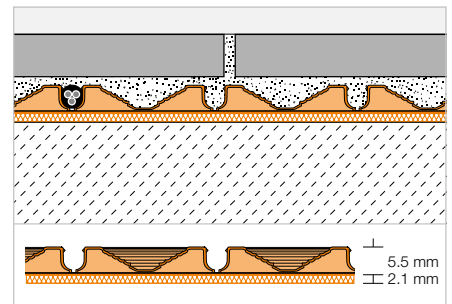
L x B = m ²	Art. No.	€ / m ²	PL (Roll)
12.76 x 0.98 = 12.5	DH PS 512 M	27.82	6

Peel & Stick bonded uncoupling | heating

Schlüter®-DITRA-HEAT-DUO-PS

Schlüter-DITRA-HEAT-DUO-PS is a polypropylene membrane with a cut back stud structure and a special 2 mm fleece covered in pressure sensitive adhesive laminated to the underside. After peeling off the release film, DITRA-HEAT-DUO-PS can be installed on suitable substrates without the use of tile adhesive. The watertight membrane accommodates heating cables and forms an uncoupling and vapour pressure equalisation layer. The unique thermal break fleece, in addition to reducing impact sound by up to 14 dB, enables faster heating response.

(Product data sheet 6.5)

**Schlüter®-DITRA-HEAT-DUO-MA-PS**

Peel & Stick polypropylene mats with 2 mm thermal fleece

L x B = m ²	Art. No.	€ / m ²	PL (Unit)
0.8 x 0.98 = 0.78	DH D PS 8 MA	37.68	100

Schlüter®-DITRA-HEAT-DUO-PS

Peel & Stick polypropylene rolls with 2 mm thermal fleece

L x B = m ²	Art. No.	€ / m ²	PL (Roll)
10.2 x 0.98 = 10	DH D PS 810 M	34.19	6

Note:

DITRA-HEAT PS/-DUO-PS is waterproof and suitable for use in wetrooms, provided the abutting joints are sealed with KERDI-KEBA and KERDI-COLL. The products do not have ETA (European Technical Assessment) or abP (German technical approval) certification. If such a certification is required, we recommend using the original DITRA-HEAT which is bonded to the substrate with cementitious tile adhesive.



Heating cable

Schlüter®-DITRA-HEAT-E-HK

12.5_{W/m}



Schlüter-DITRA-HEAT-E-HK is an electrical heating cable with a unilateral connection for installation in the uncoupling mat Schlüter-DITRA-HEAT. The cable has a heat output of 12.5 W/m.

(Product data sheet 6.6)



Schlüter®-DITRA-HEAT-E-HK

heating cable

L (m)	Heated floor, 136 W/m ² *		Heated wall, 200 W/m ² **		Watts	Art. No.	€ / U.	P (Unit)
	m ²	m ²	m ²	m ²				
4	0.4	0.25	50	DH E HK 4	122.88	10		
6.76	0.6	0.43	85	DH E HK 6	130.54	10		
12.07	1.1	0.7	150	DH E HK 12	201.57	10		
17.66	1.6	1	225	DH E HK 17	238.33	10		
23.77	2.2	1.5	300	DH E HK 23	265.58	10		
29.87	2.7	1.8	375	DH E HK 29	313.26	10		
35.97	3.3	2.2	450	DH E HK 35	360.90	10		
41.56	3.8	2.6	525	DH E HK 41	401.75	10		
47.67	4.4	2.9	600	DH E HK 47	460.34	10		
53.77	5	3.3	675	DH E HK 53	510.75	10		
59.87	5.5	3.7	750	DH E HK 59	544.78	10		
71.57	6.6	4.4	900	DH E HK 71	626.48	10		
83.77	7.7	5.1	1050	DH E HK 83	735.45	10		
95.47	8.8	5.9	1200	DH E HK 95	837.57	10		
107.67	10	6.6	1350	DH E HK 107	919.31	10		
136.16	12.7	8.4	1700	DH E HK 136	1101.95	10		
164.07	15	10	2050	DH E HK 164	1318.10	10		
192.27	17.7	11.8	2400	DH E HK 192	1542.18	10		
216.27	20	13.2	2700	DH E HK 216	1733.32	10		
244.37	22.7	15.1	3050	DH E HK 244	1944.21	10		

* for use in floor and wall areas ** for use in wall areas only

Note:

Heating cables must not be shortened.

When selecting the heating cable, please note that the table indicates the heated space in m², not the room size. To determine the heated space, deduct unheated zones such as perimeter areas and storage space from the room size.

Heating cable

Schlüter®-DITRA-HEAT-E-CHC



Schlüter-DITRA-HEAT-E-CHC is an electrical heating cable designed to be used with the uncoupling mat Schlüter-DITRA-HEAT. With a heat output of 7.5 W/m, the cable is an intelligent solution, for example for energy-efficient buildings.

(Product data sheet 6.6)



Schlüter®-DITRA-HEAT-E-CHC



heating cable

L (m)	Heated floor, 80 W/m ² *	Heated wall, 120 W/m ² **	Watts	Art. No.	€ / U.	P (Unit)
	m ²	m ²				
4	0.4	0.25	30	DH E CHC 4	122.88	10
6.76	0.6	0.43	51	DH E CHC 6	130.54	10
12.07	1.1	0.7	91	DH E CHC 12	201.57	10
17.66	1.6	1	132	DH E CHC 17	238.33	10
23.77	2.2	1.5	178	DH E CHC 23	265.58	10
29.87	2.7	1.8	224	DH E CHC 29	313.26	10
35.97	3.3	2.2	270	DH E CHC 35	360.90	10
41.56	3.8	2.6	312	DH E CHC 41	401.75	10
47.67	4.4	2.9	358	DH E CHC 47	460.34	10
53.77	5	3.3	403	DH E CHC 53	510.75	10
59.87	5.5	3.7	449	DH E CHC 59	544.78	10
71.57	6.6	4.4	537	DH E CHC 71	626.48	10
83.77	7.7	5.1	628	DH E CHC 83	735.45	10
95.47	8.8	5.9	716	DH E CHC 95	837.57	10
107.67	10	6.6	808	DH E CHC 107	919.31	10
136.16	12.7	8.4	1021	DH E CHC 136	1101.95	10
164.07	15	10	1231	DH E CHC 164	1318.10	10
192.27	17.7	11.8	1442	DH E CHC 192	1542.18	10
216.27	20	13.2	1622	DH E CHC 216	1733.32	10
244.37	22.7	15.1	1833	DH E CHC 244	1944.21	10

* for use in floor and wall areas ** for use in wall areas only

Note:

Heating cables must not be shortened.

When selecting the heating cable, please note that the table indicates the heated space in m², not the room size. To determine the heated space, deduct unheated zones such as perimeter areas and storage space from the room size.



Thermostat

Schlüter®-DITRA-HEAT-E-R6



Schlüter-DITRA-HEAT-E-R6 is an all-in-one thermostat with WiFi connection and optional voice control. It controls floor and wall coverings that are electrically heated with Schlüter-DITRA-HEAT-E. As an alternative, the system can be operated via the 2" (5.1 cm) touchscreen display, with the Schlüter-HEAT-CONTROL app for iOS and Android or by voice control with Amazon Alexa or Google Assistant. The thermostat controls either the surface or room temperature based on a time schedule. An additional sensor, which is installed but left unconnected, is included within the box.

(Product data sheet 6.6)

Schlüter®-DITRA-HEAT-E-R6

touchscreen thermostat (230 V) with two remote sensors, WiFi and Voice Control function

Art. No.	€ / Set	P (Set)
DH E RT 6 / BW	330.37	10
★ DH E RT 6 / DA	336.00	10

Available colours:



BW = brilliant white

DA = dark anthracite

Schlüter®-DITRA-HEAT-E-R



Schlüter-DITRA-HEAT-E-R is a thermostat for controlling floor and wall coverings that are electrically heated with Schlüter-DITRA-HEAT-E. The system is operated via a 2" (5.1 cm) touchscreen display. The thermostat controls either the surface or room temperature based on a time schedule. An additional sensor, which is installed but left unconnected, is included within the box.

(Product data sheet 6.6)

Schlüter®-DITRA-HEAT-E-R

touchscreen thermostat (230 V) with two remote sensors

Art. No.	€ / Set	P (Set)
DH E RT 2 / BW	230.66	10
★ DH E RT 2 / DA	236.31	10

Available colours:



BW = brilliant white

DA = dark anthracite

Schlüter®-DITRA-HEAT-E-R3



Schlüter-DITRA-HEAT-E-R3 is a thermostat for controlling floor and wall coverings that are electrically heated with Schlüter-DITRA-HEAT-E. The system is operated via a 3.5" (8.9 cm) touchscreen display. The thermostat controls either the surface or room temperature based on a time schedule. An additional sensor, which is installed but left unconnected, is included within the box.

(Product data sheet 6.6)

Schlüter®-DITRA-HEAT-E-R3

touchscreen thermostat (230 V) with two remote sensors

Art. No.	€ / Set	P (Set)
DH E RT 3 / BW	306.45	10

Thermostat

Schlüter®-DITRA-HEAT-E-R4



Schlüter-DITRA-HEAT-E-R4 is an analogue thermostat for the electrical temperature regulation of wall and floor coverings with Schlüter-DITRA-HEAT-E. The user-friendly thermostat has an on/off switch and a dial for adjusting the temperature set-point. An additional sensor, which is installed but left unconnected, is included within the box.

(Product data sheet 6.6)

Schlüter®-DITRA-HEAT-E-R4

thermostat (230 V)
with on/off switch and two remote sensors

Art. No.	€ / Set	P (Set)
DH E RT 4 / BW	172.03	10

Note:

The remote sensor should be installed within the Schlüter-DITRA-HEAT uncoupling mat. Although two remote sensors are included, only one should be connected to the thermostat whilst the other is left unconnected as a spare.

Heating cable dispenser

Schlüter®-DITRA-HEAT-E-KARO



Schlüter-DITRA-HEAT-E-KARO is a simple, easily transportable cable dispenser for the efficient installation of DITRA-HEAT-E heating cables. It is suitable for all available lengths of DITRA-HEAT heating cable.

(Product data sheet 6.6)

Schlüter®-DITRA-HEAT-E-KARO

heating cable dispenser

Art. No.	€ / U.	P (Unit)
DH ZK A	374.01	5

Testing tool

Schlüter®-DITRA-HEAT-E-CT



Schlüter-DITRA-HEAT-E-CT is a test device for measuring and checking the resistance of the electrical heating cables Schlüter-DITRA-HEAT-E-HK and -CHC and the remote sensors supplied with Schlüter-DITRA-HEAT-E thermostats. The device monitors the resistance of the heating cables during the entire installation phase. It alerts the installer with an acoustic signal in the event of damage.

(Product data sheet 6.6)

Schlüter®-DITRA-HEAT-E-CT

cable tester

Art. No.	€ / U.	P (Unit)
DH E CT	39.35	10

Installation set

Schlüter®-DITRA-HEAT-E-ZS



Schlüter-DITRA-HEAT-E-ZS is an installation set comprising a conduit (2.5 m), junction box, and sensor sleeve. It can be used if the installation of the remote sensor in the conduit is preferred.

(Product data sheet 6.6)

Schlüter®-DITRA-HEAT-E-ZS

installation set for thermostat

Art. No.	€ / Set	P (Set)
DH E ZS 1	15.81	10



Schlüter®-DITRA-SOUND

Impact sound insulation under tiles



Noises generated at the floor level cause impact sound. Schlüter-DITRA-SOUND effectively reduces impact sound by up to 13 dB (A) in renovation projects. This is the equivalent of more than 50% of perceived impact sound. The heavy duty membrane combines the following properties:

- ✓ Impact sound/room noise insulation
- ✓ Crack-bridging
- ✓ Load distribution (load induction)

www.schlueter-systems.com

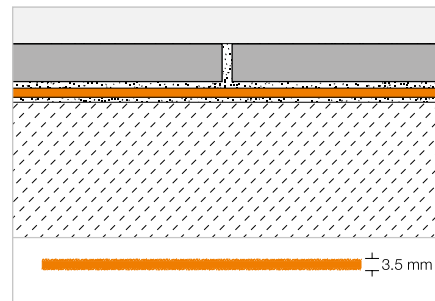


Impact sound insulation

Schlüter®-DITRA-SOUND



Schlüter-DITRA-SOUND is a heavy duty membrane made of polyethylene with an anchoring fleece laminated on both sides. DITRA-SOUND provides bonded sound insulation in tiled floor assemblies. (Product data sheet 6.3)



Schlüter®-DITRA-SOUND

heavy duty PE mat

H (mm)	55 x 75 cm = 0.41 m ² Art. No.	€ / m ²	PL (Unit)
3.5	DITRA-S 355	31.28	400

package = 5 units

Tool tip:

Schlüter-TROWEL, 4 x 4 notching,
see page 339.

Schlüter®-DITRA-SOUND

heavy duty PE mat project bundling

H (mm)	55 x 75 cm = 0.41 m ² Art. No.	€ / m ²	PL (Unit)
3.5	DITRA-S 355 LV	30.07	400

Note:

DITRA-S 355 LV is available in bundled format for large scale projects. In this case, Schlüter-DITRA-SOUND is delivered without packaging to reduce the volume of disposable packaging materials.

Impact protection | edge insulation strip



Schlüter®-DITRA-SOUND-KB

joint covering strip

38 mm x 50 m Art. No.	€ / U.	P (Unit)
DS KB 38	16.11	10



Schlüter®-DITRA-SOUND-RSK

edge insulation strip

6 x 30 mm x 10 m Art. No.	€ / m	P (Unit)
DS RSK 630	1.53	20

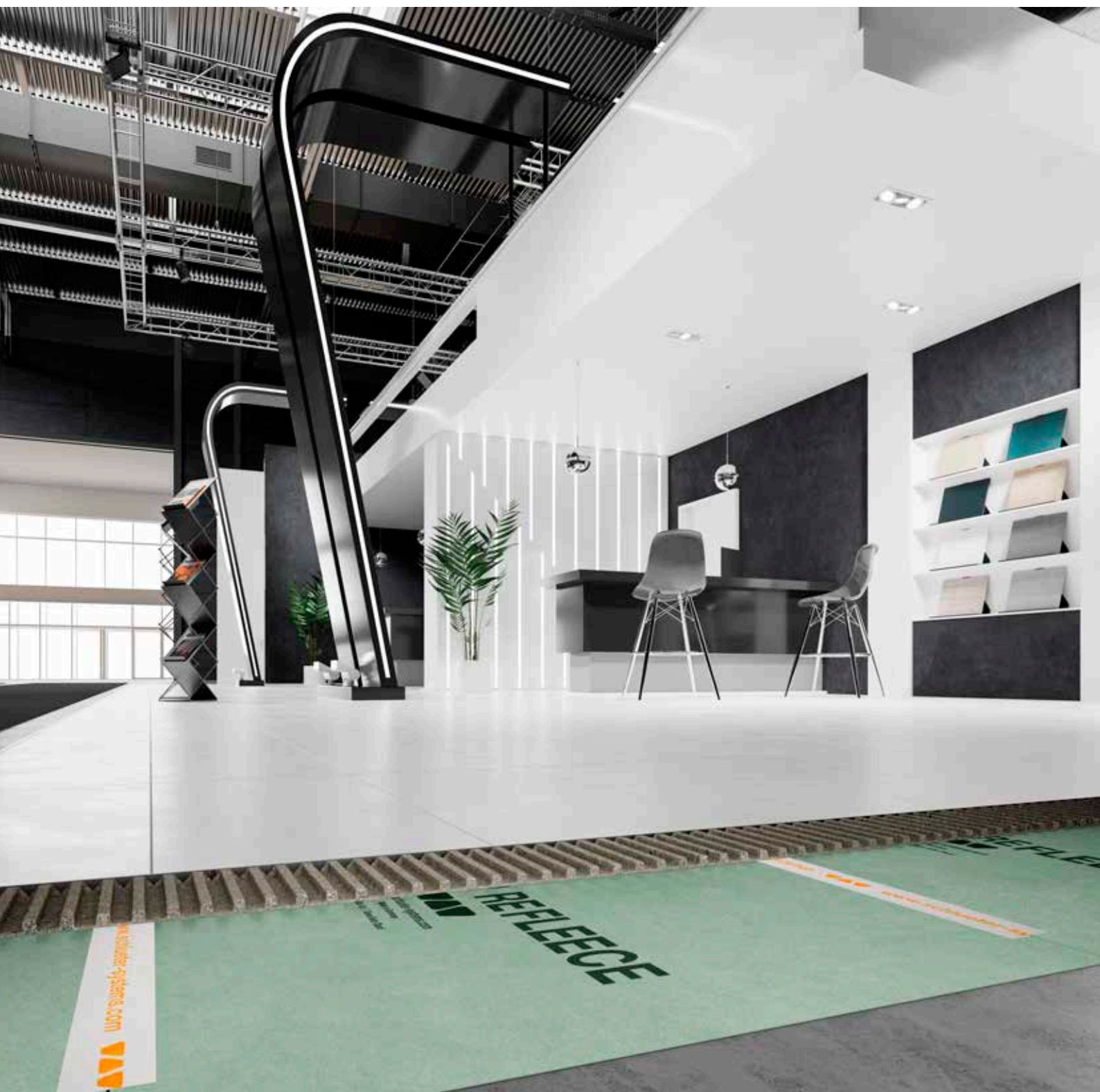


Schlüter[®]-REFLEECE

Removable fleece

Exhibition halls, trade fair venues and retail stores are among the application areas with frequently changing floor coverings. Easy removal is an important concern.

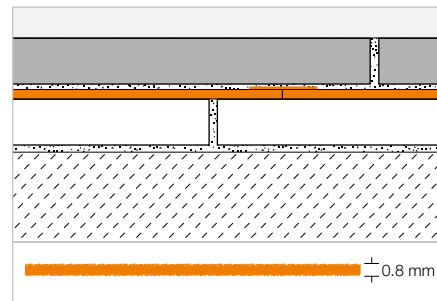
Schlüter-REFLEECE offers a practical solution. The self-adhesive fleece is a tile underlayment that separates the tile adhesive from the existing substrate. It enables the simple removal of coverings without leaving any residue or damaging the sub-floor. Schlüter-REFLEECE also reduces impact sound by 9 dB (as specified by DIN EN ISO 10140) and is made of recycled PET bottles.



Removable fleece

Schlüter®-REFLEECE

Schlüter-REFLEECE is a fleece mat made of recycled PET with a bonding layer laminated on the underside. It is suitable for creating removable floor coverings made of tiles and natural stone. The self-adhesive underside easily detaches from the substrate during removal without damaging the sub-floor. (Product data sheet 20.1)

**Schlüter®-REFLEECE**

PET rolls

1 x 30 m Art. No.	€ / m ²	PL (Roll)
REFL 30M	18.90	6

Schlüter®-DITRA-SOUND-KB

joint covering strip

38 mm x 50 m Art. No.	€ / U.	P (Unit)
DS KB 38	16.11	10





Schlüter®-KERDI

Waterproofing for walls and floors,
drainage, shower shelves

Schlüter-KERDI is a waterproofing membrane that is integrated into the tile assembly. Thanks to the convenient imprinted gridlines, the product is particularly easy to install. KERDI is part of a complete product system with sealing bands, corners, and pipe collars. The sealing adhesive Schlüter-KERDI-COLL for abutting joints and connections completes the waterproofing system from a single source. While the floor drain systems Schlüter-KERDI-DRAIN or Schlüter-KERDI-LINE provide proper drainage, the modular Schlüter-KERDI-SHOWER system is designed for installing floor-level showers.





Schlüter®-KERDI

Bonded waterproofing	190–192
Accessories	193–198

Schlüter®-KERDI-LINE

KERDI-LINE designs	200–201
Drainage profiles	204–206
Grate and frame combination	211–215, 224
Complete sets – linear, floor-level shower	216
Linear drainage – horizontal drain body	208–209, 217–223
Linear drainage – vertical drain body	225–227
Accessories	207, 229–230

Schlüter®-KERDI-DRAIN

KERDI-DRAIN designs	240
Point drainage – interior	242–247
Point drainage – exterior	248–252
Complete sets – loose installation in exterior spaces	253
Drainage sets	257
Accessories	254–256

Schlüter®-KERDI-SHOWER

Sloped trays for KERDI-LINE	231–232
Sloped trays for KERDI-DRAIN	259–260
Waterproofing sets	258

Schlüter®-SHOWERPROFILE

Triangular profile	234–235
Profiles for floor-level showers	233, 236–238

Schlüter®-SHELF

Shelves	262–271
---------	---------



Schlüter®-KERDI

Bonded waterproofing you can count on



Schlüter-KERDI has been a proven bonded waterproofing solution for tile and natural stone coverings for over 35 years. Together with our waterproofing membranes, sealing bands, pre-formed parts and the KERDI-COLL sealing adhesive, our products form a complete system for permanently safe and dependable bonded waterproofing. Now available in the three membrane widths 100 cm – 150 cm – 200 cm.

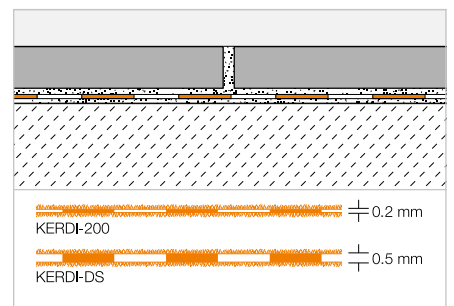
Bonded waterproofing

Schlüter®-KERDI



Schlüter-KERDI is a polyethylene waterproofing membrane with an anchoring fleece laminated on both sides. It is suitable for waterproofing in conjunction with tiled surfaces on walls and floors. The high water vapour diffusion resistance of Schlüter-KERDI-DS makes it suitable as a vapour barrier in bonded floor assemblies with tile coverings.

(Product data sheet 8.1)



Schlüter®-KERDI 200

polyethylene rolls

L (m)	m ²	width = 1.00 m Art. No.	€ / m ²	PL (Roll)
5	5	KERDI 200 / 5M	23.93	75
10	10	KERDI 200 / 10M	21.60	50
30	30	KERDI 200	19.66	20
width = 1.50 m				
20	30	KERDI 200 150 / 20M	19.66	20
width = 2.00 m				
15	30	KERDI 200 200 / 15M	19.66	20

Schlüter®-KERDI-DS

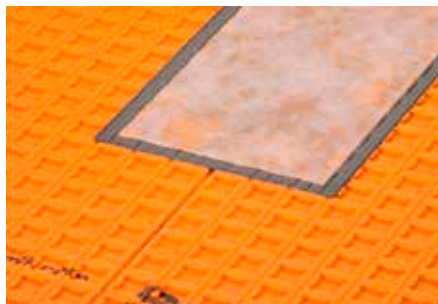
polyethylene rolls, vapour barrier

L (m)	width = 1.00 m Art. No.	€ / m ²	PL (Roll)
30	KERDI-DS	22.70	25

Tool tip:

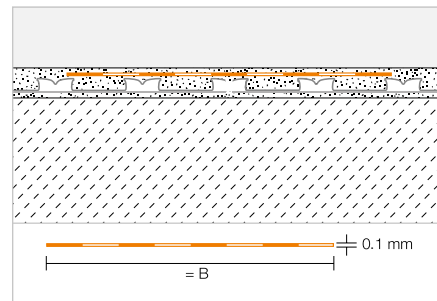
Schlüter-TROWEL, 4 x 4 notching, see page 339.

Sealing tape

Schlüter®-KERDI-KEBA

Schlüter-KERDI-KEBA is a sealing band to seal mat connections and wall to floor connections.

(Product data sheet 8.1)

**Schlüter®-KERDI-KEBA**

polyethylene rolls

B (mm)	roll = 30 m Art. No.	€ / m	PL (Roll)
85	KEBA 100 / 85	2.68	336
125	KEBA 100 / 125	4.02	210
150	KEBA 100 / 150	4.25	210
185	KEBA 100 / 185	5.51	168
250	KEBA 100 / 250	7.13	126

Schlüter®-KERDI-KEBA/5M

polyethylene rolls

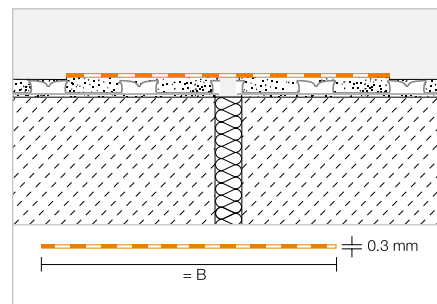
B (mm)	roll = 5 m Art. No.	€ / m	P (Roll)
85	KEBA 100 / 85 / 5M	3.77	10
125	KEBA 100 / 125 / 5M	5.02	10
150	KEBA 100 / 150 / 5M	5.39	10
185	KEBA 100 / 185 / 5M	6.56	10
250	KEBA 100 / 250 / 5M	8.23	10

Sealing tape

Schlüter®-KERDI-FLEX

Schlüter-KERDI-FLEX is a waterproofing band for sealing movement joints.

(Product data sheet 8.1)

**Schlüter®-KERDI-FLEX**

polyethylene rolls

B (mm)	roll = 30 m Art. No.	€ / m	PL (Roll)
125	FLEX 125 / 30	6.84	210
250	FLEX 250 / 30	12.45	126

Schlüter®-KERDI-FLEX/5M

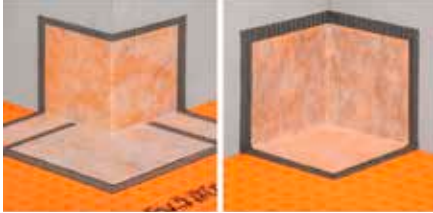
polyethylene rolls

B (mm)	roll = 5 m Art. No.	€ / m	P (Roll)
125	FLEX 125 / 5M	8.91	10
250	FLEX 250 / 5M	14.42	10



Corner seal

Schlüter®-KERDI-KERECK



Schlüter-KERDI-KERECK are pre-cut sections to produce internal and external corners. They are also suitable for corner formations that are not perfectly square. (Product data sheet 8.1)

Schlüter®-KERDI-KERECK/A

external corner, pre-cut section

Thickness (mm)	Package = 5 units Art. No.	€ / Package	P (Package)
0.1	KERECK 5 A	28.27	10

Schlüter®-KERDI-KERECK/I

internal corner, pre-cut section

Thickness (mm)	Package = 5 units Art. No.	€ / Package	P (Package)
0.1	KERECK 5 I	24.24	10

Corner seal

Schlüter®-KERDI-KERECK-F



Schlüter-KERDI-KERECK-F are completely seam sealed, prefabricated parts to create internal and external corners. (Product data sheet 8.1)



Schlüter®-KERDI-KERECK-F/A

90° external corner, prefabricated

Thickness (mm)	Package = 2 units Art. No.	€ / Package	P (Package)
0.1	KERECK / FA2	22.59	10
	Package = 10 units		
0.1	KERECK / FA10	95.31	10
	Package = 50 units		
★ 0.1	KERECK / FA50	420.25	10

Schlüter®-KERDI-KERECK-F/I

90° internal corner, prefabricated

Thickness (mm)	Package = 2 units Art. No.	€ / Package	P (Package)
0.1	KERECK / FI2	19.30	10
	Package = 10 units		
0.1	KERECK / FI10	79.16	10
	Package = 50 units		
★ 0.1	KERECK / FI50	369.51	10

Schlüter®-KERDI-KERECK-F/I 135°

135° internal corner, prefabricated

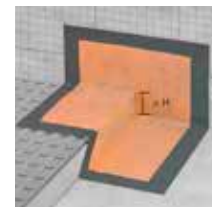
Thickness (mm)	Package = 2 units Art. No.	€ / Package	P (Package)
0.1	KERECK 135 FI2	22.88	10

Corner seal

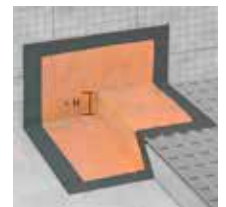
Schlüter®-KERDI-KERS



Schlüter-KERDI-KERS are seam sealed prefabricated parts for secure waterproofing of corner areas of Schlüter-KERDI-SHOWER. (Product data sheet 8.1)



Schlüter-KERDI-KERS,
left



Schlüter-KERDI-KERS,
right

Schlüter®-KERDI-KERS

internal corner, prefabricated, left

H (mm)	Art. No.	€ / U.	P (Unit)
20	KERS 20 L	15.56	10
28	KERS 28 L	15.56	10

Schlüter®-KERDI-KERS

internal corner, prefabricated, right

H (mm)	Art. No.	€ / U.	P (Unit)
20	KERS 20 R	15.56	10
28	KERS 28 R	15.56	10

Note:

Schlüter-KERDI-KERS 20 products are suitable for showers with side lengths of 80 - 110 cm.
Schlüter-KERDI-KERS 28 products are suitable for showers with side lengths of 110 - 150 cm.

Waterproofing collar

Schlüter®-KERDI-MV

Schlüter-KERDI-MV are prefabricated collars for DIN 18534-compliant waterproofing of pipe penetrations. Thanks to their fleece-free inner zone, the collars are suitable for use with multiple pipe diameters (see table).

(Product data sheet 8.1)

Schlüter®-KERDI-MV

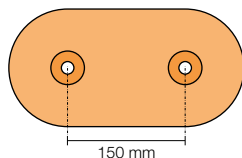
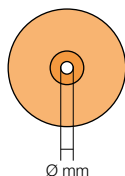
collar with fleece-free inner zone (includes: 1 unit)

Ø mm	For pipe diameter (mm)	Art. No.	€ / U.	P (Unit)
9	12 – 30	KMV 9	10.01	10
15	22 – 40	KMV 15	10.01	10
21	30 – 60	KMV 21	11.14	10
35	45 – 80	KMV 35	11.89	10
65	75 – 140	KMV 65	15.02	10
15	22 – 40	KMV 15 D	17.97	10

Schlüter®-KERDI-MV

collar with fleece-free inner zone (includes: 10 units)

Ø mm	For pipe diameter (mm)	Art. No.	€ / Package	P (Package)
15	22 – 40	KMV 15/10	80.43	10
15	22 – 40	KMV 15 D/10	147.72	10



KMV 9



KMV 15



KMV 21



KMV 35



KMV 65



KMV 15 D*

* centre line 150 mm

Waterproofing collar

Schlüter®-KERDI-PAS

Schlüter-KERDI-PAS sets comprise a pre-fabricated collar and a special plastic sleeve. The collar and this special sleeve are attached at pipe protrusions for secure waterproofing (DIN 18534) of installed plumbing components. The collar and this special sleeve are attached at pipe protrusions to enable safe DIN 18534-compliant waterproofing of the subsequently installed tap extension.

(Product data sheet 8.1)

Schlüter®-KERDI-PAS

set incl. collar and installation aid (includes: 1 set)

Ø mm	For pipe diameter (mm)	Art. No.	€ / Set	P (Set)
15	22 – 40	KMV 15 PAS	12.21	10
15	22 – 40	KMV 15 D PAS	20.97	10

Schlüter®-KERDI-PAS

set incl. collar and installation aid (includes: 10 sets)

Ø mm	For pipe diameter (mm)	Art. No.	€ / Package	P (Package)
15	22 – 40	KMV 15 PAS/10	97.96	10
15	22 – 40	KMV 15 D PAS/10	165.56	10



KMV 15 PAS



KMV 15 D PAS*

* centre line 150 mm



Waterproofing collar

Schlüter®-KERDI-KM



Schlüter-KERDI-KM are prefabricated collars for pipe openings.
(Product data sheet 8.1)

Schlüter®-KERDI-KM

pipe collar diameter = 22 mm for 25 mm pipes

Thickness (mm)	Package = 5 units Art. No.	€ / Package	P (Package)
0.1	KM 5117 / 22	9.87	10

Schlüter®-KERDI-CID

Standard-compliant door openings

The German guidelines for waterproofing interior spaces specify that adjoining rooms without waterproofing must be protected against water exposure from wetrooms, including at the door threshold. Schlüter-KERDI-CID sets create a capillary break for threshold areas of doors opening in different directions.

Advantages:

- ✓ Reliable function within the system
- ✓ Proven stainless steel edge
- ✓ Sets including prefabricated components



Set 1



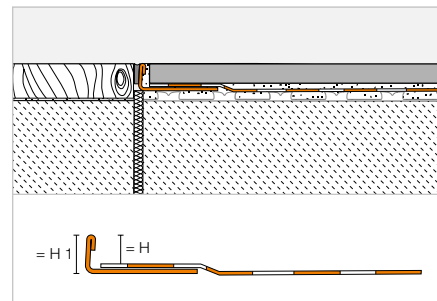
Set 2

Waterproofing set

Schlüter®-KERDI-CID



Schlüter-KERDI-CID are waterproofing sets to create a capillary break in the floor assembly around door thresholds according to DIN 18534. The sets differ depending on whether the door opens inwards or outwards. Set components include a Schlüter-SCHIENE-E profile with pre-adhered KERDI-KEBA sealing band and matching, prefabricated KERDI-KERECK pieces. The profile can be individually cut to the corresponding door opening dimensions. The components are adhered with KERDI-COLL sealing adhesive (not included in the set).
(Product data sheet 8.11)



Schlüter®-KERDI-CID

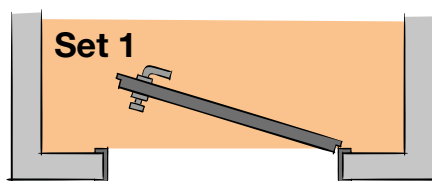


SCHIENE-E V4A with polyethylene sealing band (Set 1), length: 1.15 m

H (mm)	H1 (mm)	Art. No.	€ / Set	P (Set)
10	12	KCID E 110 S1	72.26	10
12	14	KCID E 125 S1	72.26	10
14	16	KCID E 150 S1	72.26	10

Set includes:

- 1 x Schlüter-SCHIENE-E V4A with sealing band
- 1 x 2 KERDI-KERECK-SD corners (right and left)



Schlüter®-KERDI-CID

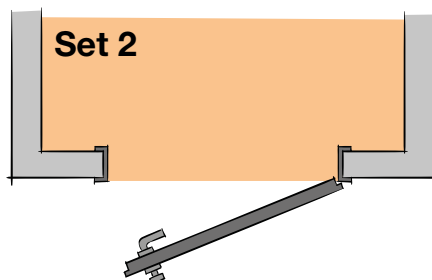


SCHIENE-E V4A with polyethylene sealing band (Set 2), length: 1.15 m

H (mm)	H1 (mm)	Art. No.	€ / Set	P (Set)
10	12	KCID E 110 S2	74.31	10
12	14	KCID E 125 S2	74.31	10
14	16	KCID E 150 S2	74.31	10

Set includes:

- 1 x Schlüter-SCHIENE-E V4A with sealing band
- 2 x pairs of KERDI-KERECK corners (external/internal corner)



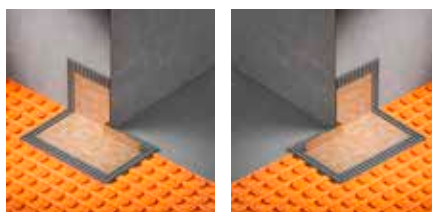
Corner seal

Schlüter®-KERDI-KERECK-SD



90° external corner, prefabricated, door application left/right

Thickness (mm)	set = 2 units Art. No.	€ / Set	P (Set)
0.1	KERECK / SD	28.70	10



Note:

Supporting information for Schlüter-KERDI-CID is available in the Download section.





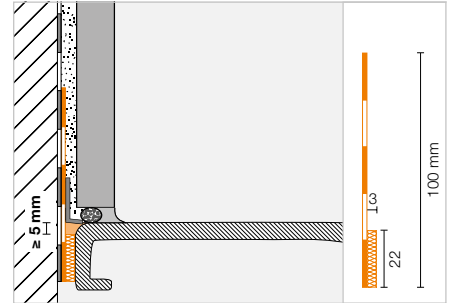
Waterproofing set

Schlüter®-KERDI-TS



Schlüter-KERDI-TS is a set for creating reliable waterproof connections of building components such as bathtubs and shower trays made of steel enamel, acrylic or mineral casting (according to DIN 18534-1) to the Schlüter-KERDI waterproofing system. It includes a sealing band made of polyethylene with double-sided fleece fabric and self-adhesive sound insulation strip as well as installation materials.

(Product data sheet 8.9)



Schlüter®-KERDI-TS

complete set for waterproof connection

L (m)	Art. No.	€ / Set	P (Set)
2	KE TS / 200	90.08	10
2.8	KE TS / 280	108.87	10
3.8	KE TS / 380	128.32	10

Complete set includes:

- 2 / 2.8 / 3.8 m sealing tape
- 290 ml Schlüter-KERDI-FIX installation adhesive
- 2 cleaning cloths
- 1 / 2 / 2 corner piece(s)



Schlüter®-KERDI-TSB

basic set for waterproof connection

L (m)	Art. No.	€ / Set	P (Set)
10	KE TSB / 1000	208.52	10

Basic set includes:

- 10 m sealing tape
- 8 cleaning cloths
- 6 corner pieces



Waterproofing set

Schlüter®-KERDI-TS-ZC



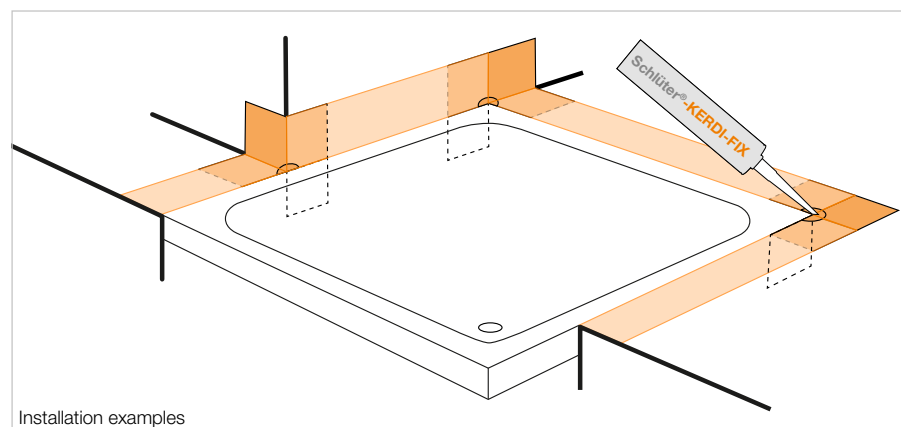
Schlüter-KERDI-TS-ZC is an expansion set for the reliable waterproof connection of building components such as bathtubs and shower trays for special installation situations (see drawing) in conjunction with the Schlüter-KERDI-TS waterproofing set. It consists of a waterproofing collar and a corner installation piece.

(Product data sheet 8.9)

Schlüter®-KERDI-TS-ZC

flexible corner seal

Art. No.	€ / Set	P (Set)
KE TS ZC	12.88	10



Installation examples

The set comprises the following components:

- 1 PE collar, fleece-laminated on both sides, 120 x 120 mm
- 1 corner piece

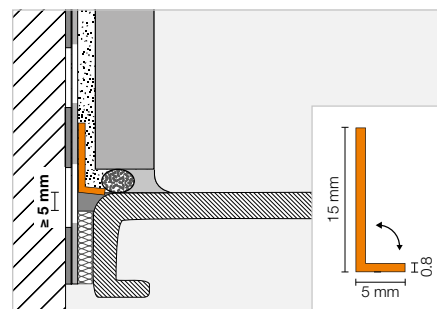
Cutting protection

Schlüter®-KERDI-CP



Schlüter-KERDI-CP is a cutting protection that can be shortened to any length and protects the connection seal when the silicone joint is renovated at a later time. The versatile folding profile can be installed directly in the adhesive bed or into freshly applied Schlüter-KERDI-FIX.

(Product data sheet 8.9)



Schlüter®-KERDI-CP

polypropylene cutting protection

L (m)	Art. No.	€ / U.	P (Unit)
2	KE CP / 200	10.31	10
2.8	KE CP / 280	14.26	10
3.8	KE CP / 380	18.81	10
10	KE CP / 1000	41.47	10





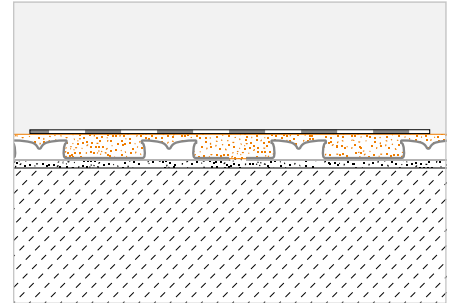
Sealing adhesive

Schlüter®-KERDI-COLL-L



Schlüter-KERDI-COLL-L is a two component sealant adhesive based on a solvent free acrylate dispersion and a reactive cementitious powder. It is suitable for adhering and sealing overlaps of Schlüter-KERDI membranes. In addition, Schlüter-KERDI-COLL-L can be used to tightly adhere the sealing band Schlüter-KERDI-KEBA on bonded waterproofing assemblies made with suitable Schlüter-Systems products as well as on Schlüter-BARA edging profiles.

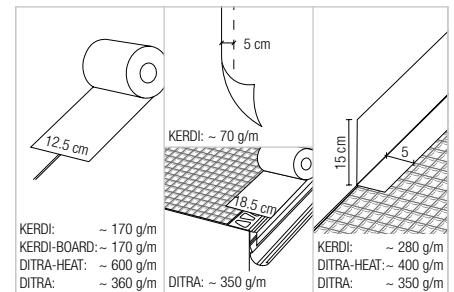
(Product data sheet 8.4)



Schlüter®-KERDI-COLL-L

two-component sealing adhesive

Weight (kg)	Art. No.	€ / kg	PL (Unit)
1.85	KERDI-COLL-L 185	14.47	110
4.25	KERDI-COLL-L	11.92	75



Installation adhesive

Schlüter®-KERDI-FIX



Schlüter-KERDI-FIX is an MS polymer based elastic adhesive. It is suited for adjoining profiles and Schlüter-KERDI-BOARD as well as sealing the abutments and joint areas of Schlüter-KERDI waterproofing membrane sections.

(Product data sheet 8.3)



Schlüter®-KERDI-FIX

MS polymer adhesive

Fill volume (ml)	Art. No.	€ / U.	P (Unit)
290	KERDIFIX / BW	23.85	12
290	KERDIFIX / G	23.85	12



Schlüter®-KERDI-LINE

Elegant drainage



Linear drainage bring elegance and functionality to floor-level showers. Schlüter-KERDI-LINE are complete systems that include all components for draining floor-level shower areas. My Schlüter-KERDI-LINE adds a personal touch: Customers can choose to add an individual engraving to the grate and/or frame of the drainage channel.

- ✓ Up to 14 channel lengths
- ✓ Low assembly heights
- ✓ Complete sets with waterproofing collar
- ✓ Nine different channel covers
- ✓ Schlüter-KERDI-LINE-STYLE in three elegant designs with slim contour frames
- ✓ Stainless steel grates and frames, individually customisable
- ✓ Flexibly adjustable to tile thicknesses
- ✓ Now individually customisable
- ✓ Extensive assortment, including tapered profiles and splashguard profiles

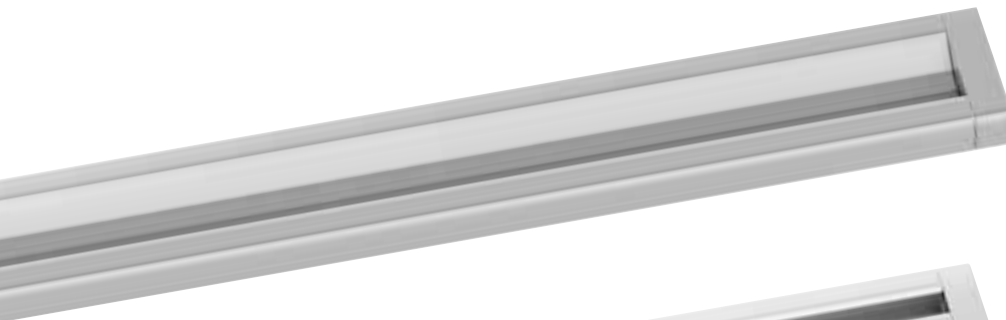


Schlüter®-KERDI-LINE

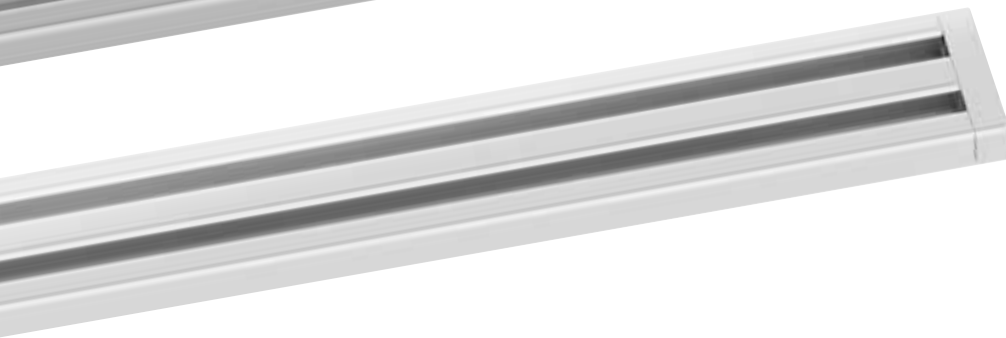
All designs at a glance

This overview illustrates the versatile Schlüter-Systems design options for linear drainage. Whether you choose a classic profile frame or the innovative VARIO drain, you are guaranteed to install our proven Schlüter quality.

Schlüter®-KERDI-LINE-VARIO: Individually customisable drain profiles

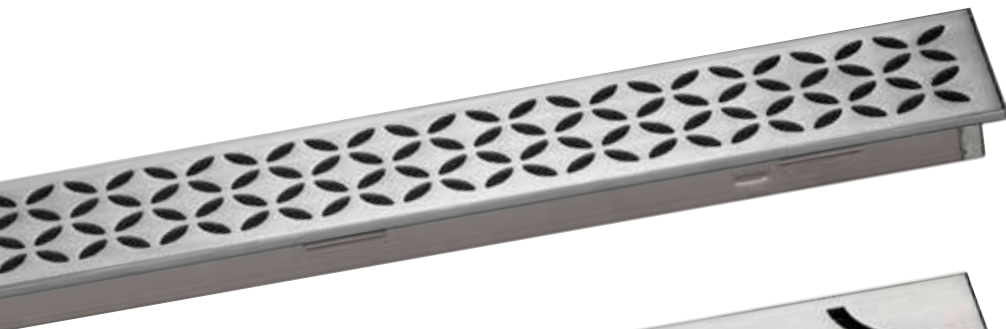


COVE design



WAVE design

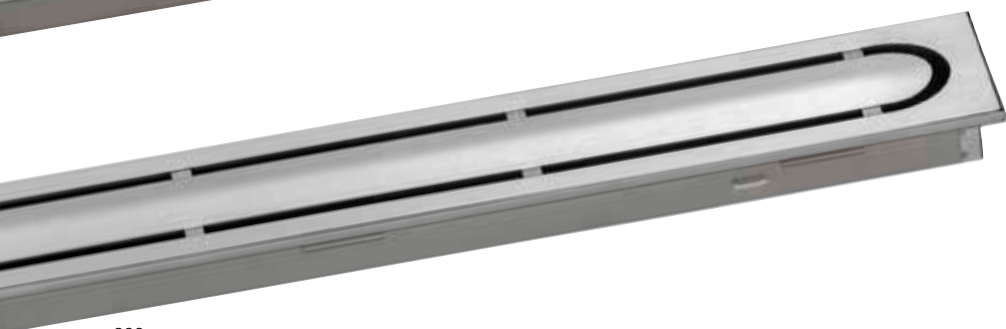
Schlüter®-KERDI-LINE-STYLE: Elegant design grates with contour frame



FLORAL design



CURVE design



PURE design

Schlüter®-KERDI-LINE: The classics in a profile frame

Design
A, B and C
available
in MGS

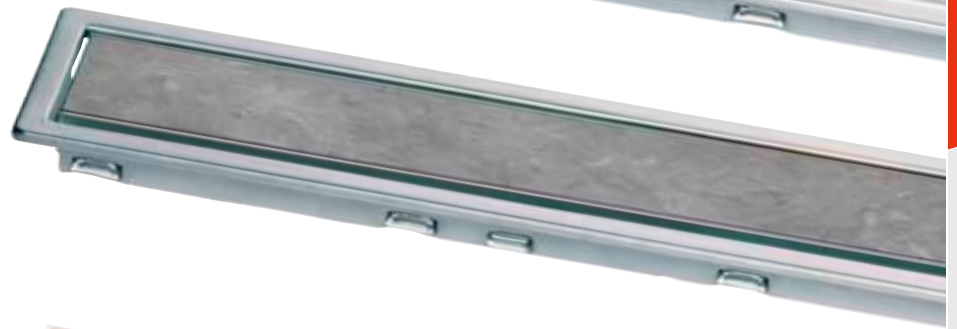
Design A: SOLID



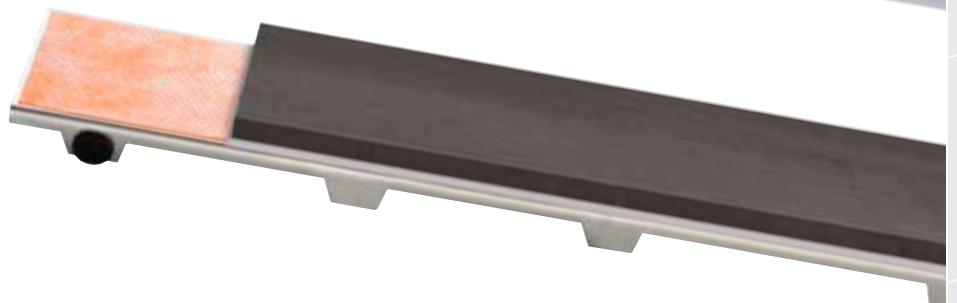
Design B: SQUARE



Design C: FRAMED TILE



Design D: TILE (frameless)





Schlüter®-KERDI-LINE-VARIO

Drainage has never been more adaptable

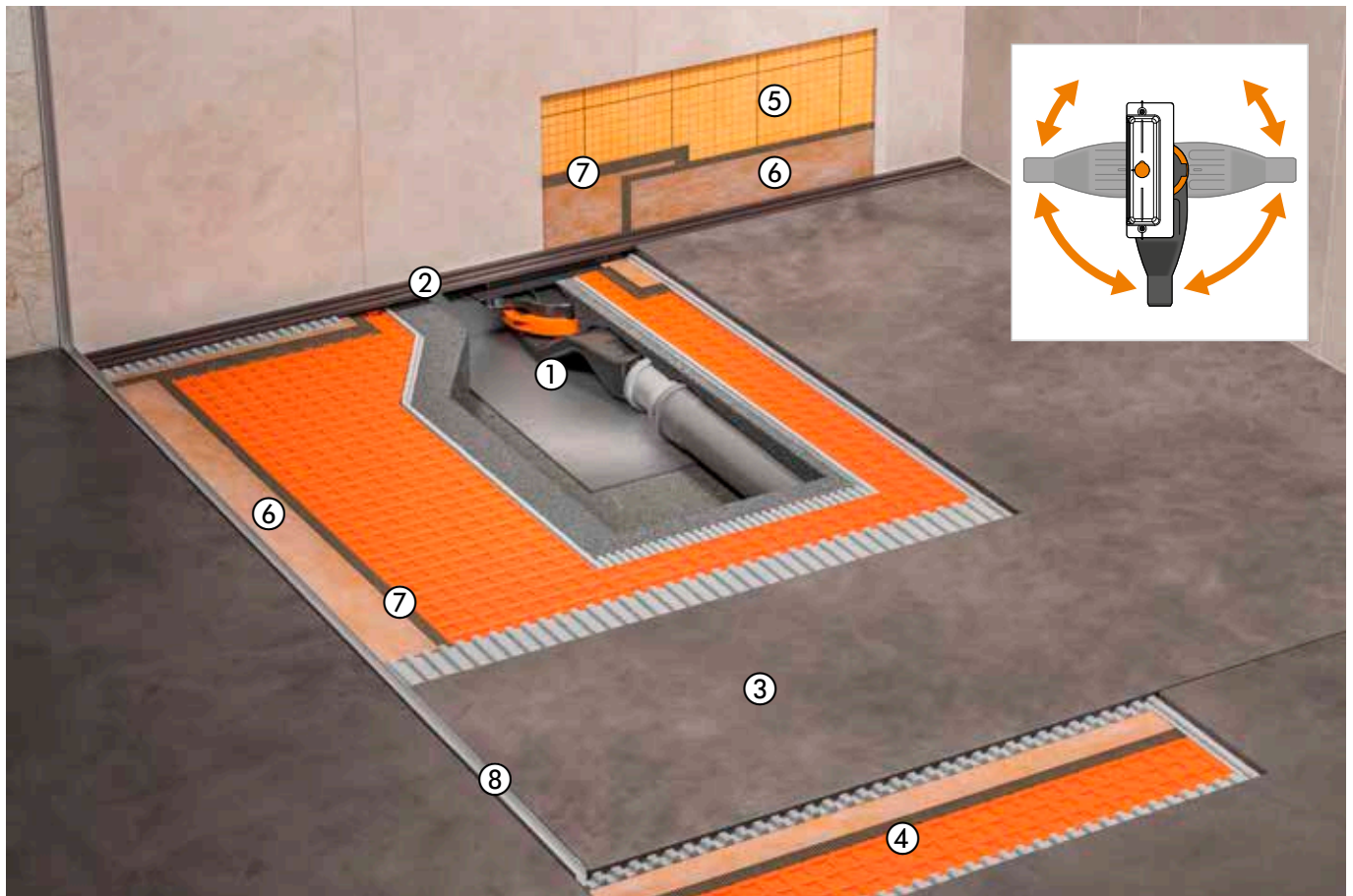
Our adaptable system for linear drainage in level entry showers. The stylish drainage profiles which can easily be cut to precisely match your requirement are connected to a slim drain body. The integrated elasticated KERDI collar provides a waterproof seal between the drain and the adjacent substrate. The 360 degree rotatable drain offers optimum flexibility during installation.

- ✓ Slim drainage profiles blending unobtrusively with the tile covering
- ✓ High-quality materials: brushed stainless steel or TRENDLINE powder coated aluminium
- ✓ Drainage profiles (120 cm / 180 cm), can be individually cut to size, height-adjustable
- ✓ Matching end caps included with the drainage profiles
- ✓ Low assembly height
- ✓ Integrated odour trap
- ✓ Secure waterproofing connection with elasticated KERDI collar
- ✓ Drain body, rotatable by 360 degrees
- ✓ Low-maintenance due to self-cleaning effect
- ✓ High drain capacity
- ✓ Sound insulation element
- ✓ Proven KERDI-LINE quality



The Schlüter-KERDI-LINE-VARIO drain profile directs the waste water into a slim wave shaped drain body with an elasticated waterproofing collar. The combination of drain adapter with integrated elasticated waterproofing collar and wave shaped drain channels the waste water horizontally into the on-site drainage system. A screeded tiled shower floor with a 2% gradient should be provided to allow water to run into the drainage profile.

Schlüter-DECO-SG keeps shower screens in their correct positions. Schlüter-KERDI and -DITRA ensure waterproofing in the wall and floor area. Abutting joints are sealed with Schlüter-KERDI-KEBA sealing bands, using Schlüter-KERDI-COLL.



- | | |
|--|--------------|
| ① Schlüter®-KERDI-LINE-VARIO-H wave-shaped drain | Page 208–209 |
| ② Schlüter®-KERDI-LINE-VARIO drainage profile | Page 204–206 |
| ③ Sloped screed | – |
| ④ Schlüter®-DITRA | Page 169 |
| ⑤ Schlüter®-KERDI 200 | Page 190 |
| ⑥ Schlüter®-KERDI-KEBA | Page 191 |
| ⑦ Schlüter®-KERDI-COLL | Page 198 |
| ⑧ Schlüter®-DECO-SG | Page 238 |

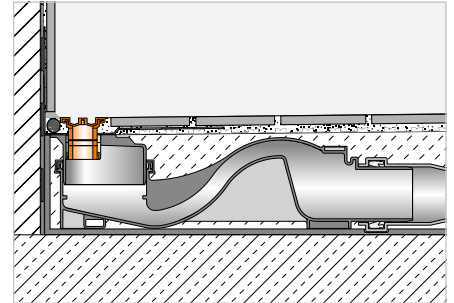


Drainage profile

Schlüter®-KERDI-LINE-VARIO WAVE



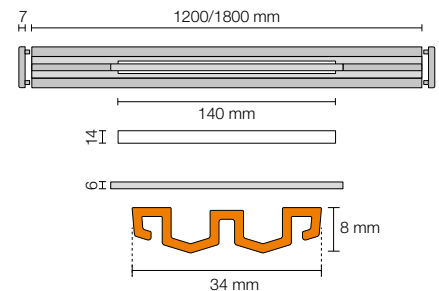
Schlüter-KERDI-LINE-VARIO WAVE is a W shaped drainage profile, which can be cut to size, for use with a Schlüter-KERDI-LINE-VARIO-H body. It is available in either brushed stainless steel V4A (material no. 1.4404 = AISI 316L) or one of eight TRENDLINE powder coated aluminium finishes. A 140 mm opening allows water to flow into the drain. The opening is concealed by a removable cover panel. The drainage profile is supplied with two matching end caps. The installation height can be adjusted to the thickness of the floor covering by use of tile adhesive.
(Product data sheet 8.10)



Schlüter®-KERDI-LINE-VARIO WAVE 34

drainage profile, WAVE design (D 10), textured aluminium

L (cm)	H = 8 mm Art. No.	€ / Set	P (Set)
120	KL VR D10 MBW 120	206.57	10
120	KL VR D10 MGS 120	206.57	10
120	KL VR D10 TSBG 120	212.82	10
120	KL VR D10 TSC 120	212.82	10
120	KL VR D10 TSDA 120	212.82	10
120	KL VR D10 TSI 120	212.82	10
120	KL VR D10 TSOB 120	212.82	10
120	KL VR D10 TSSG 120	212.82	10
180	KL VR D10 MBW 180	231.83	10
180	KL VR D10 MGS 180	231.83	10
180	KL VR D10 TSBG 180	237.23	10
180	KL VR D10 TSC 180	237.23	10
180	KL VR D10 TSDA 180	237.23	10
180	KL VR D10 TSI 180	237.23	10
180	KL VR D10 TSOB 180	237.23	10
180	KL VR D10 TSSG 180	237.23	10



Suitable for covering thicknesses of 6–15 mm (with DITRA or DITRA-HEAT) and 6–12 mm (with DITRA-HEAT-DUO).

In conjunction with the frame extension KL VR DSE 14, suitable for covering thicknesses up to 25 mm (with DITRA or DITRA-HEAT) and up to 22 mm (with DITRA-HEAT-DUO); see page 207.

Schlüter®-KERDI-LINE-VARIO WAVE 42

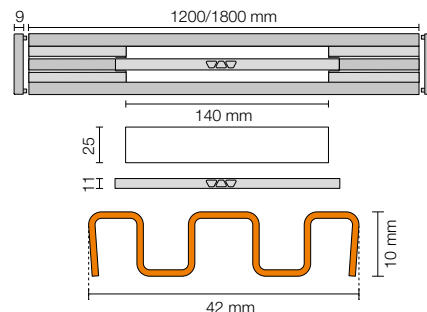
drainage profile, WAVE design (D 10), brushed stainless steel V4A

L (cm)	H = 10 mm Art. No.	€ / Set	P (Set)
120	KL VR1 D10 EB 120	307.32	10
180	KL VR1 D10 EB 180	345.06	10

Suitable for covering thicknesses of 8–18 mm (with DITRA or DITRA-HEAT) and 8–15 mm (with DITRA-HEAT-DUO).

In conjunction with the frame extension KL VR DSE 23, suitable for covering thicknesses up to 28 mm (with DITRA or DITRA-HEAT) and up to 25 mm (with DITRA-HEAT-DUO); see page 207.

The KERDI-LINE-VARIO WAVE 42 profile in the stainless steel version supports the use of wheelchairs in showers.

**Schlüter®-KERDI-LINE-VARIO WAVE 42**

drainage profile, WAVE design (D 10), textured aluminium

L (cm)	H = 8 mm Art. No.	€ / Set	P (Set)
120	KL VR1 D10 MBW 120	215.66	10
120	KL VR1 D10 MGS 120	215.66	10
120	KL VR1 D10 TSBG 120	221.05	10
120	KL VR1 D10 TSC 120	221.05	10
120	KL VR1 D10 TSDA 120	221.05	10
120	KL VR1 D10 TSI 120	221.05	10
120	KL VR1 D10 TSOB 120	221.05	10
120	KL VR1 D10 TSSG 120	221.05	10
180	KL VR1 D10 MBW 180	242.62	10
180	KL VR1 D10 MGS 180	242.62	10
180	KL VR1 D10 TSBG 180	248.01	10
180	KL VR1 D10 TSC 180	248.01	10
180	KL VR1 D10 TSDA 180	248.01	10
180	KL VR1 D10 TSI 180	248.01	10
180	KL VR1 D10 TSOB 180	248.01	10
180	KL VR1 D10 TSSG 180	248.01	10

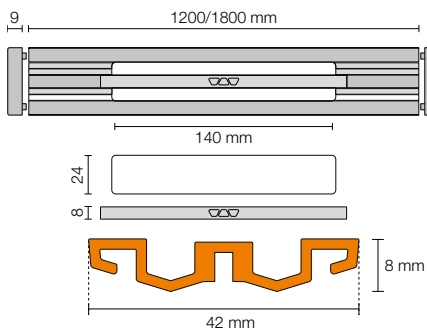
Suitable for covering thicknesses of 6–15 mm (with DITRA or DITRA-HEAT) and 6–12 mm (with DITRA-HEAT-DUO).

In conjunction with the frame extension KL VR DSE 23, suitable for covering thicknesses up to 25 mm (with DITRA or DITRA-HEAT) and up to 22 mm (with DITRA-HEAT-DUO); see page 207.

The profiles KERDI-LINE-VARIO WAVE 42 profiles can be fitted with an optional hair trap KL VR S 23; see page 207.

Note:

The drainage profiles of the Schlüter-KERDI-LINE-VARIO series can only be combined with the Schlüter-KERDI-LINE-VARIO-H drain bodies. Two end caps are included in the set.

**Available finishes | colours**

For an overview of finishes and colours, please see page 342.



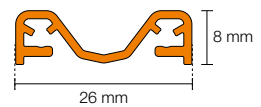
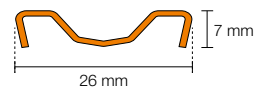
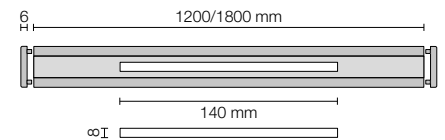
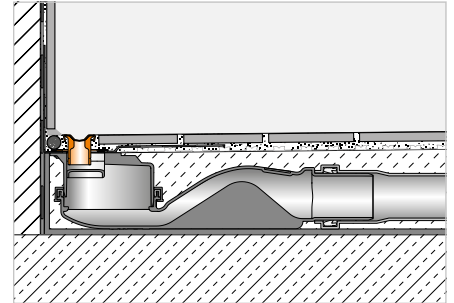
Drainage profile

Schlüter®-KERDI-LINE-VARIO COVE



Schlüter-KERDI-LINE-VARIO COVE is a cove-shaped drainage profile, which can be cut to size, for use with a Schlüter-KERDI-LINE-VARIO-H body. It is available in either brushed stainless steel V4A (material no. 1.4404 = AISI 316L) or one of eight TRENDLINE powder coated aluminium finishes. An opening 8 mm wide and 140 mm long allows water to flow into the drain. The drainage profile is supplied with two matching end caps. The installation height can be adjusted to the thickness of the floor covering by use of tile adhesive. This profile supports the use of wheelchairs in showers.

(Product data sheet 8.10)



Schlüter®-KERDI-LINE-VARIO COVE 26

drainage profile, COVE design (D 9), brushed stainless steel V4A

L (cm)	H = 7 mm Art. No.	€ / Set	P (Set)
120	KL VR D9 EB 120	244.47	10
180	KL VR D9 EB 180	285.75	10

Schlüter®-KERDI-LINE-VARIO COVE 26

drainage profile, COVE design (D 9), textured aluminium

L (cm)	H = 8 mm Art. No.	€ / Set	P (Set)
120	KL VR D9 MBW 120	181.53	10
120	KL VR D9 MGS 120	181.53	10
120	KL VR D9 TSBG 120	187.79	10
120	KL VR D9 TSC 120	187.79	10
120	KL VR D9 TSDA 120	187.79	10
120	KL VR D9 TSI 120	187.79	10
120	KL VR D9 TSOB 120	187.79	10
120	KL VR D9 TSSG 120	187.79	10
180	KL VR D9 MBW 180	204.88	10
180	KL VR D9 MGS 180	204.88	10
180	KL VR D9 TSBG 180	210.27	10
180	KL VR D9 TSC 180	210.27	10
180	KL VR D9 TSDA 180	210.27	10
180	KL VR D9 TSI 180	210.27	10
180	KL VR D9 TSOB 180	210.27	10
180	KL VR D9 TSSG 180	210.27	10

Note:

The drainage profiles of the Schlüter-KERDI-LINE-VARIO series can only be combined with the Schlüter-KERDI-LINE-VARIO-H drain bodies.

Two end caps are included in the set.

Suitable for covering thicknesses of 6–15 mm (with DITRA or DITRA-HEAT) and 6–12 mm (with DITRA-HEAT-DUO).

In conjunction with the frame extension KL VR DSE 14, suitable for covering thicknesses up to 25 mm (with DITRA or DITRA-HEAT) and up to 22 mm (with DITRA-HEAT-DUO); see page 207.

Available finishes | colours



For an overview of finishes and colours, please see page 342.

Extension

Schlüter®-KERDI-LINE-VARIO-DSE

KL VR DSE 14

Schlüter-KERDI-LINE-VARIO-DSE is a frame extension set that enables the use of the corresponding drainage profiles with coverings that are 10 mm thicker than that usually allowed with Schlüter-KERDI-LINE-VARIO WAVE or Schlüter-KERDI-LINE-VARIO COVE drainage profiles.

(Product data sheet 8.10)



KL VR DSE 23

Schlüter®-KERDI-LINE-VARIO-DSE

extension for KERDI-LINE-VARIO

Art. No.	€ / U.	P (Unit)
KL VR DSE 14	16.72	10

Note:

The extension KL VR DSE 14 can be combined with the drainage profiles of the COVE and WAVE 34 series.

Schlüter®-KERDI-LINE-VARIO-DSE

extension for KERDI-LINE-VARIO

Art. No.	€ / Set	P (Set)
KL VR DSE 23	19.41	10

Note:

The extension KL VR DSE 23 is only compatible with the drainage profiles of the WAVE 42 series.

Hair trap

Schlüter®-KERDI-LINE-VARIO-S

Schlüter-KERDI-LINE-VARIO-S is an optionally available hair trap for the WAVE 42 profile series, which in addition to its primary function also reliably prevents small parts such as jewellery from being flushed down the drain.

(Product data sheet 8.10)

Schlüter®-KERDI-LINE-VARIO-S

hair trap for KERDI-LINE-VARIO WAVE 42

Art. No.	€ / U.	P (Unit)
KL VR S 23	15.10	10



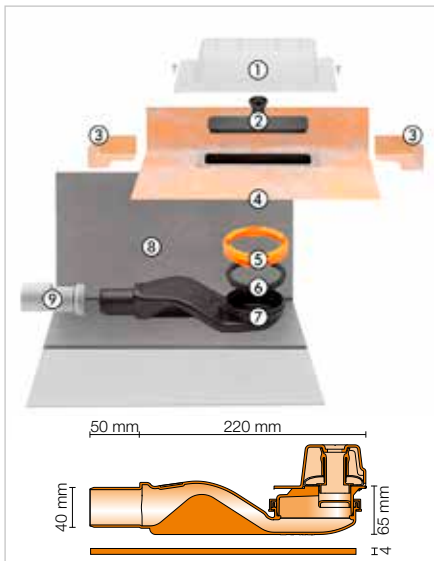
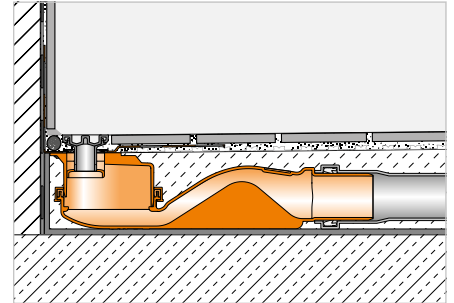
Linear drainage, horizontal

Schlüter®-KERDI-LINE-VARIO-H 40



Schlüter-KERDI-LINE-VARIO-H 40 is a complete set for linear floor-level showers. It comprises a drain adapter with an integrated elasticated KERDI waterproofing collar. To enable an especially low assembly height, the waterproof adapter comes fully inserted into the sealed wave shaped drain. The adapter is additionally secured with a clamping ring. KERDI-LINE-VARIO-H 40 is suited for installation in an intermediate position and especially along walls. The high flow rate creates a low maintenance self-cleaning effect in the drain body. The sound insulation element included in the set reliably prevents sound transmission to the surrounding building structures and serves as a positioning aid for direct installation in a wall.

(Product data sheet 8.10)



Set components:

- 1 protective lid
- 2 water inspection nozzle
- 3 corner seal
(for upright wall connection)
- 4 drainage profile connector with elasticated waterproofing collar
- 5 clamping ring
- 6 gasket
- 7 drain body DN 40 with odour trap
- 8 sound insulation element
- 9 adapter DN 40/50

Schlüter®-KERDI-LINE-VARIO-H 40

linear wave shaped drain set with DN 40 horizontal outlet

Art. No.	€ / Set	P (Set)
KL VR H40 G5	226.44	10

Note:

The drain is only suitable for use with Schlüter-KERDI-LINE-VARIO drainage profiles.

Technical data:

Drain	DN 40
Drain capacity	*
Water trap height	25 mm
Installation height	65 mm

* Drain capacity varies depending on the chosen profile.

COVE 26: 0.45 l/s

WAVE 34: 0.45 l/s

WAVE 42: 0.5 l/s

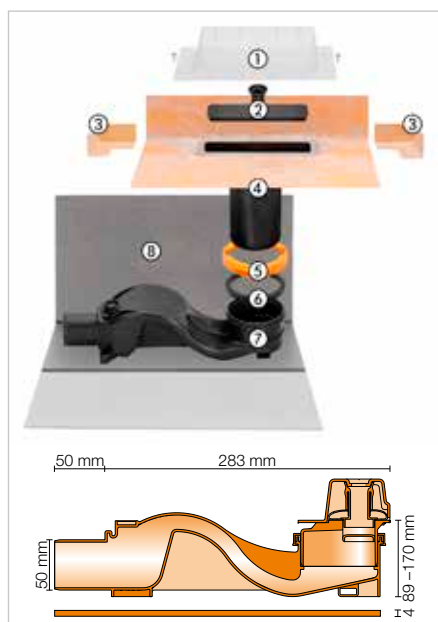
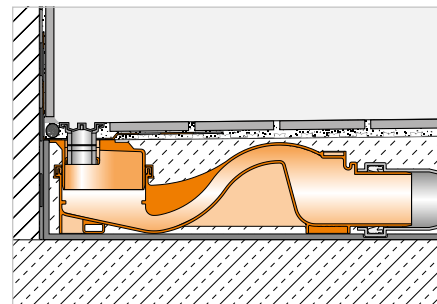
Linear drainage, horizontal

Schlüter®-KERDI-LINE-VARIO-H 50



Schlüter-KERDI-LINE-VARIO-H 50 is a complete set for linear floor-level showers. It comprises a drain adapter with an integrated elasticated KERDI waterproofing collar that can be cut to size to meet on-site height requirements as well as a horizontal drain with integrated odour trap that can be rotated by 360 degrees. The drain can be attached to the floor with the supplied installation set. KERDI-LINE-VARIO-H 50 is suited for installation in an intermediate position and especially along walls. The high flow rate creates a low maintenance self-cleaning effect in the drain body. The sound insulation element included in the set reliably prevents sound transmission to the surrounding building structures and serves as a positioning aid for direct installation in a wall.

(Product data sheet 8.10)



Set components:

- 1 protective lid
- 2 water inspection nozzle
- 3 corner seal
(for upright wall connection)
- 4 drainage profile connector, can be cut to size, with elasticated waterproofing collar
- 5 clamping ring
- 6 gasket
- 7 drain body DN 50 with odour trap
- 8 sound insulation element

Schlüter®-KERDI-LINE-VARIO-H 50

linear wave shaped drain set with DN 50 horizontal outlet

Art. No.	€ / Set	P (Set)
KL VR H50 A G5	242.62	10

Note:

The drain is only suitable for use with Schlüter-KERDI-LINE-VARIO drainage profiles.

Technical data:

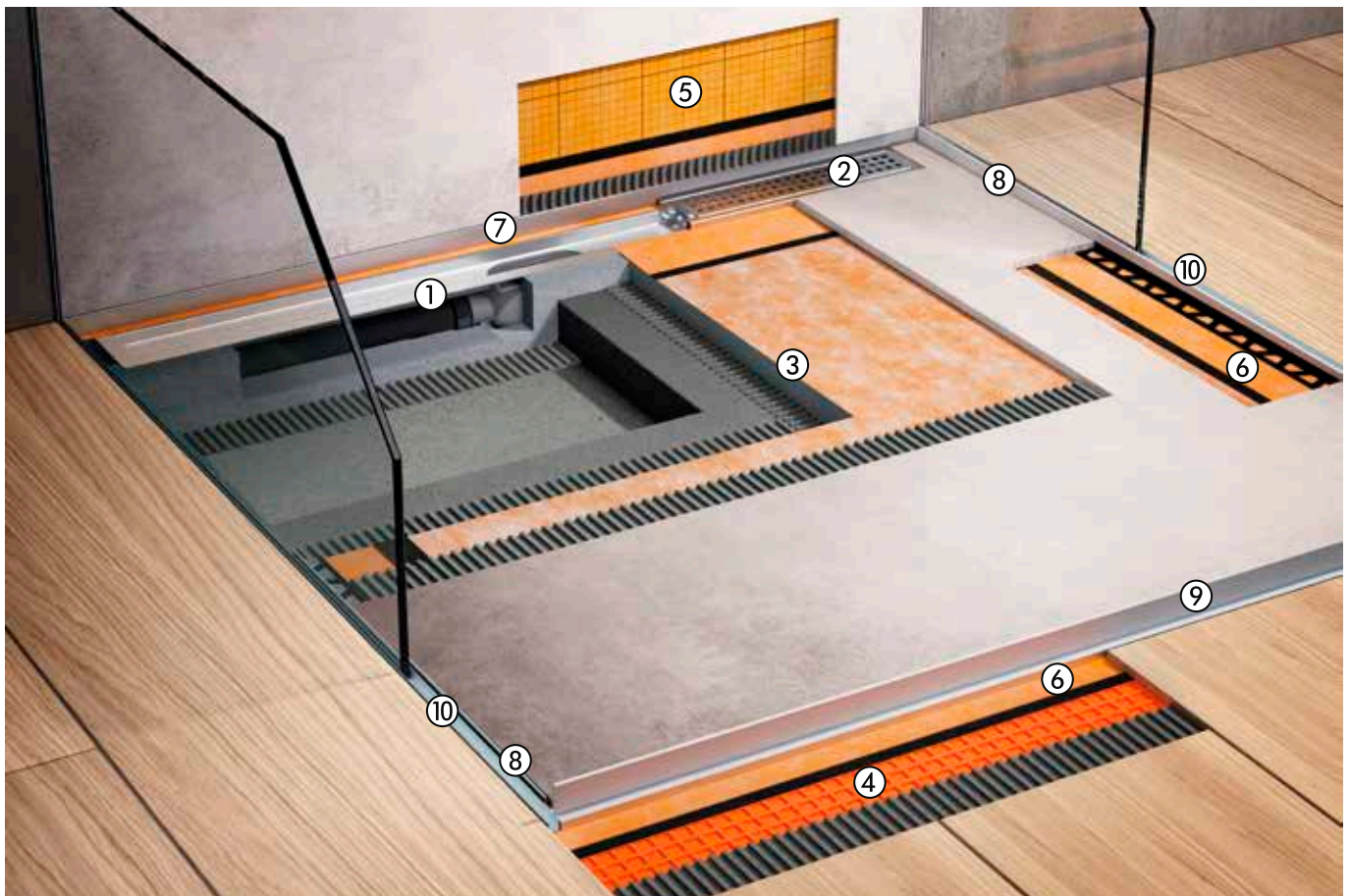
Drain	DN 50
Drain capacity	0.8 l/s
Water trap height	50 mm
Installation height	89 mm



Schlüter®-KERDI-LINE

Fully matched complete system

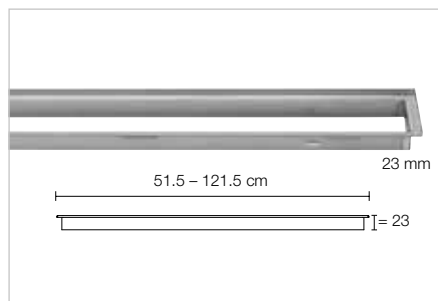
The Schlüter-KERDI-LINE linear drainage channels come with either horizontal or vertical exits for connection to the building drainage system. Schlüter-KERDI-SHOWER sloped trays are a quick way to create level and waterproof substrates for tile installation. Schlüter-SHOWERPROFILE is designed to conceal exposed edges in the shower and provides a reliable splashguard. Schlüter-DECO-SG keeps shower screens in their correct positions. Schlüter-KERDI and -DITRA ensure waterproofing in the wall and floor area. Abutting joints are sealed with Schlüter-KERDI-KEBA sealing tapes, using Schlüter-KERDI-COLL.



- | | |
|---|--------------|
| ① Schlüter®-KERDI-LINE channels | Page 217–227 |
| ② Schlüter®-KERDI-LINE grate and frame sets | Page 211–215 |
| ③ Schlüter®-KERDI-SHOWER | Page 231–232 |
| ④ Schlüter®-DITRA | Page 169 |
| ⑤ Schlüter®-KERDI 200 | Page 190 |
| ⑥ Schlüter®-KERDI-KEBA | Page 191 |
| ⑦ Schlüter®-SHOWERPROFILE-R | Page 233 |
| ⑧ Schlüter®-SHOWERPROFILE-S | Page 234–235 |
| ⑨ Schlüter®-SHOWERPROFILE-WS/-WSK | Page 236–237 |
| ⑩ Schlüter®-DECO-SG | Page 238 |

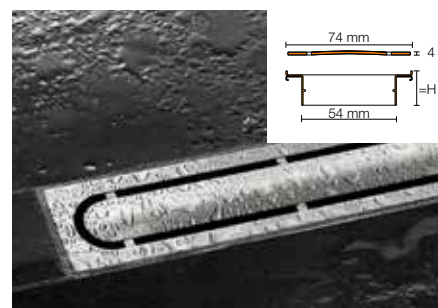
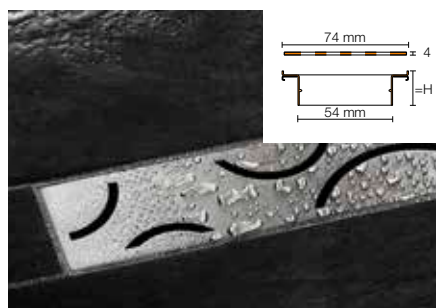
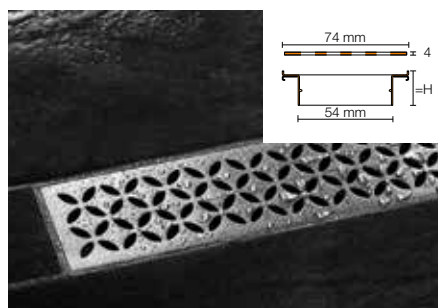
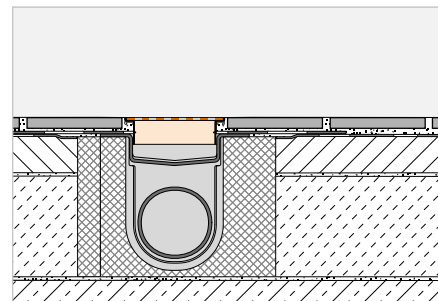
Grate and frame combination

Schlüter®-KERDI-LINE-STYLE



Schlüter-KERDI-LINE-STYLE are contour frames with elegant design covers made of brushed stainless steel to match Schlüter-KERDI-LINE channel bodies. The slim contour frame is seamlessly height-adjustable to accommodate covering materials in thicknesses from 6 to 18 mm. The covers are available in the design variants FLORAL, CURVE and PURE.

(Product data sheet 8.7)



Schlüter®-KERDI-LINE-IF-E

FLORAL design, 23 mm frame, stainless steel V4A, brushed

L (cm)	H = 23 mm Art. No.	€ / Set	P (Set)
50	KLIFE 23 EB 50	353.00	10
60	KLIFE 23 EB 60	366.32	10
70	KLIFE 23 EB 70	379.64	10
80	KLIFE 23 EB 80	406.28	10
90	KLIFE 23 EB 90	432.92	10
100	KLIFE 23 EB 100	459.56	10
110	KLIFE 23 EB 110	486.22	10
120	KLIFE 23 EB 120	512.84	10

Schlüter®-KERDI-LINE-IF-F

CURVE design, 23 mm frame, stainless steel V4A, brushed

L (cm)	H = 23 mm Art. No.	€ / Set	P (Set)
50	KLIFF 23 EB 50	339.69	10
60	KLIFF 23 EB 60	353.00	10
70	KLIFF 23 EB 70	366.32	10
80	KLIFF 23 EB 80	386.32	10
90	KLIFF 23 EB 90	406.28	10
100	KLIFF 23 EB 100	426.27	10
110	KLIFF 23 EB 110	446.24	10
120	KLIFF 23 EB 120	466.23	10

Schlüter®-KERDI-LINE-IF-G

PURE design, 23 mm frame, stainless steel V4A, brushed

L (cm)	H = 23 mm Art. No.	€ / Set	P (Set)
50	KLIFG 23 EB 50	379.64	10
60	KLIFG 23 EB 60	392.97	10
70	KLIFG 23 EB 70	406.28	10
80	KLIFG 23 EB 80	426.27	10
90	KLIFG 23 EB 90	446.24	10
100	KLIFG 23 EB 100	466.23	10
110	KLIFG 23 EB 110	486.22	10
120	KLIFG 23 EB 120	512.84	10

Note:

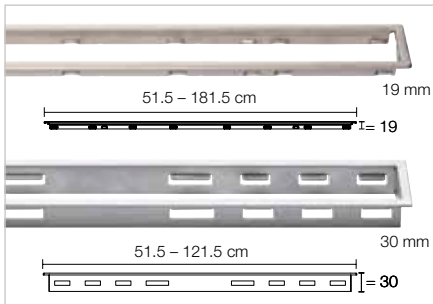
H = 23 mm for covering thicknesses 6 - 18 mm

Covers and frames cannot be combined with Schlüter-KERDI-LINE-A/-B/-C/-D.

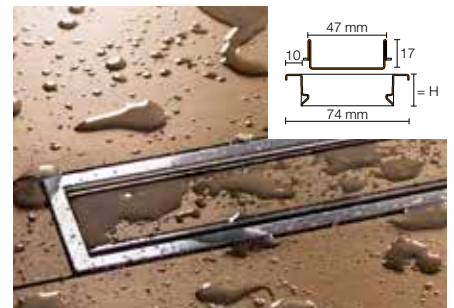
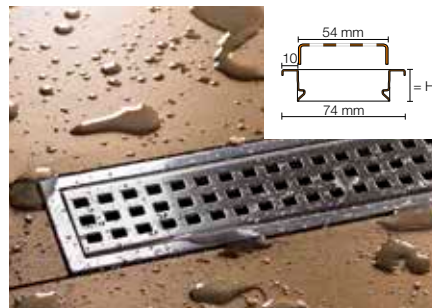
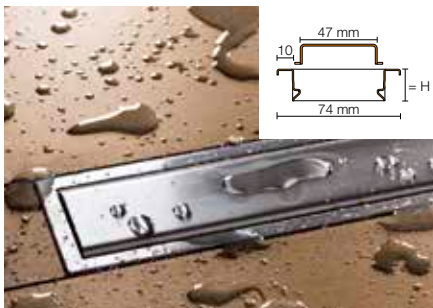
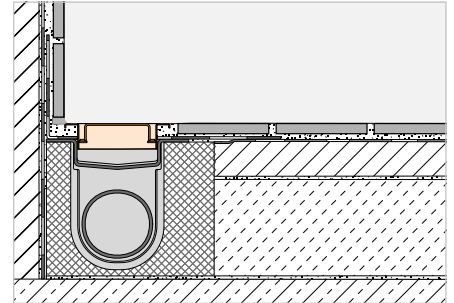


Grate and frame combination

Schlüter®-KERDI-LINE-A/-B/-C



Schlüter-KERDI-LINE are profile frames made of brushed, polished or colour coated stainless steel with classic grate covers that match Schlüter-KERDI-LINE channel bodies. The profile frames are seamlessly height adjustable to accommodate covering materials in thicknesses from 3 to 25 mm. The covers are available in the design variants SOLID (A), SQUARE (B) and FRAMED TILE (C).
(Product data sheet 8.7)



Schlüter®-KERDI-LINE-A

SOLID design, 19 mm frame, stainless steel V4A, brushed

L (cm)	H = 19 mm Art. No.	€ / Set	P (Set)
50	KLA 19 EB 50	245.75	10
60	KLA 19 EB 60	252.32	10
70	KLA 19 EB 70	258.70	10
80	KLA 19 EB 80	265.22	10
90	KLA 19 EB 90	271.65	10
100	KLA 19 EB 100	278.03	10
110	KLA 19 EB 110	284.84	10
120	KLA 19 EB 120	291.42	10
130	KLA 19 EB 130	414.78	10
140	KLA 19 EB 140	433.69	10
150	KLA 19 EB 150	448.60	10
160	KLA 19 EB 160	472.58	10
170	KLA 19 EB 170	492.22	10
180	KLA 19 EB 180	508.93	10

Schlüter®-KERDI-LINE-B

SQUARE design, 19 mm frame, stainless steel V4A, brushed

L (cm)	H = 19 mm Art. No.	€ / Set	P (Set)
50	KLB 19 EB 50	245.75	10
60	KLB 19 EB 60	252.32	10
70	KLB 19 EB 70	258.70	10
80	KLB 19 EB 80	265.22	10
90	KLB 19 EB 90	271.65	10
100	KLB 19 EB 100	278.03	10
110	KLB 19 EB 110	284.84	10
120	KLB 19 EB 120	291.42	10
130	KLB 19 EB 130	414.78	10
140	KLB 19 EB 140	433.69	10
150	KLB 19 EB 150	448.60	10
160	KLB 19 EB 160	472.58	10
170	KLB 19 EB 170	492.22	10
180	KLB 19 EB 180	508.93	10

Schlüter®-KERDI-LINE-C

FRAMED TILE design, 19 mm frame, stainless steel V4A, brushed

L (cm)	H = 19 mm Art. No.	€ / Set	P (Set)
50	KLCA 19 EB 50	245.75	10
60	KLCA 19 EB 60	252.32	10
70	KLCA 19 EB 70	258.70	10
80	KLCA 19 EB 80	265.22	10
90	KLCA 19 EB 90	271.65	10
100	KLCA 19 EB 100	278.03	10
110	KLCA 19 EB 110	284.84	10
120	KLCA 19 EB 120	291.42	10
130	KLCA 19 EB 130	414.78	10
140	KLCA 19 EB 140	433.69	10
150	KLCA 19 EB 150	448.60	10
160	KLCA 19 EB 160	472.58	10
170	KLCA 19 EB 170	492.22	10
180	KLCA 19 EB 180	508.93	10

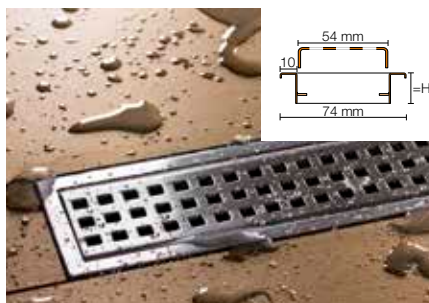
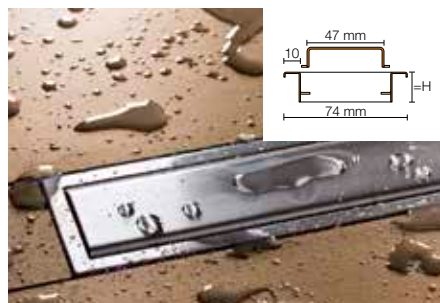
Note:

H = 19 mm for covering thicknesses 3 - 15 mm

i
The profile frames Schlüter-KERDI-LINE-A/-B/-C are also available with custom engravings. More information can be found from page 32.

Note:

Tile pan (design C), suitable for tile thicknesses up to 15 mm



Schlüter®-KERDI-LINE-A

SOLID design, 30 mm frame, stainless steel V4A, brushed

L (cm)	H = 30 mm Art. No.	€ / Set	P (Set)
50	KLA 30 EB 50	253.38	10
60	KLA 30 EB 60	259.46	10
70	KLA 30 EB 70	266.00	10
80	KLA 30 EB 80	273.76	10
90	KLA 30 EB 90	279.24	10
100	KLA 30 EB 100	286.08	10
110	KLA 30 EB 110	292.77	10
120	KLA 30 EB 120	298.25	10

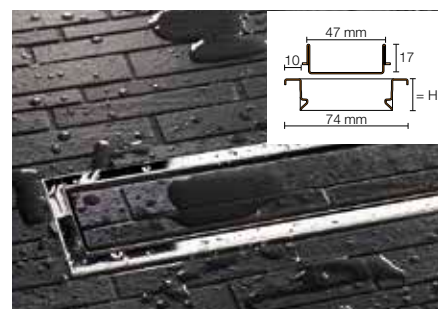
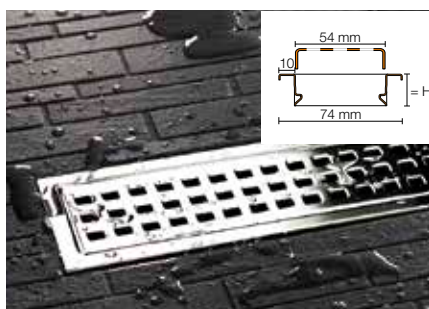
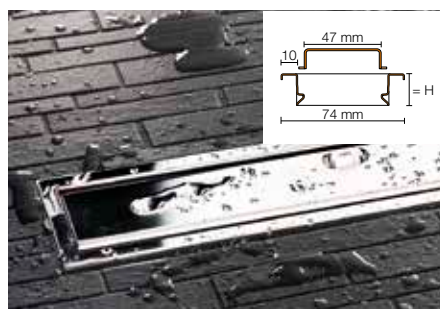
Schlüter®-KERDI-LINE-B

SQUARE design, 30 mm frame, stainless steel V4A, brushed

L (cm)	H = 30 mm Art. No.	€ / Set	P (Set)
50	KLB 30 EB 50	253.38	10
60	KLB 30 EB 60	259.46	10
70	KLB 30 EB 70	266.00	10
80	KLB 30 EB 80	273.76	10
90	KLB 30 EB 90	279.24	10
100	KLB 30 EB 100	286.08	10
110	KLB 30 EB 110	292.77	10
120	KLB 30 EB 120	298.25	10

Note:

H = 30 mm for covering thicknesses 13 - 25 mm



Schlüter®-KERDI-LINE-A

SOLID design, 19 mm frame, polished stainless steel V4A

L (cm)	H = 19 mm Art. No.	€ / Set	P (Set)
50	KLA 19 EP 50	266.65	10
60	KLA 19 EP 60	273.76	10
70	KLA 19 EP 70	280.66	10
80	KLA 19 EP 80	287.77	10
90	KLA 19 EP 90	294.73	10
100	KLA 19 EP 100	301.66	10
110	KLA 19 EP 110	309.06	10
120	KLA 19 EP 120	316.18	10

Schlüter®-KERDI-LINE-B

SQUARE design, 19 mm frame, polished stainless steel V4A

L (cm)	H = 19 mm Art. No.	€ / Set	P (Set)
50	KLB 19 EP 50	266.65	10
60	KLB 19 EP 60	273.76	10
70	KLB 19 EP 70	280.66	10
80	KLB 19 EP 80	287.77	10
90	KLB 19 EP 90	294.73	10
100	KLB 19 EP 100	301.66	10
110	KLB 19 EP 110	309.06	10
120	KLB 19 EP 120	316.18	10

Schlüter®-KERDI-LINE-C

FRAMED TILE design, 19 mm frame, polished stainless steel V4A

L (cm)	H = 19 mm Art. No.	€ / Set	P (Set)
50	KLCA 19 EP 50	256.80	10
60	KLCA 19 EP 60	263.67	10
70	KLCA 19 EP 70	270.32	10
80	KLCA 19 EP 80	277.17	10
90	KLCA 19 EP 90	283.85	10
100	KLCA 19 EP 100	290.54	10
110	KLCA 19 EP 110	297.68	10
120	KLCA 19 EP 120	304.51	10

Note:

H = 19 mm for covering thicknesses 3 - 15 mm

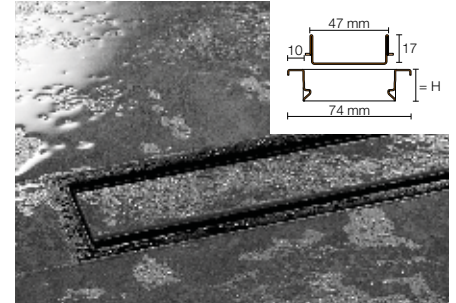
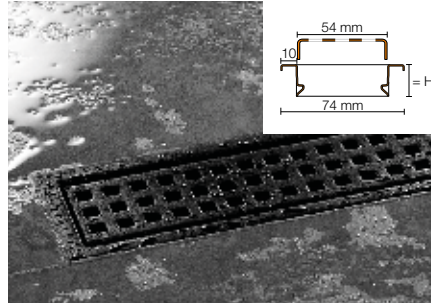
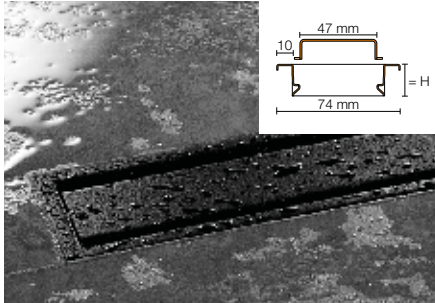


Note:

Tile pan (design C), suitable for tile thicknesses up to 15 mm



Grate and frame combination



Schlüter®-KERDI-LINE-A

SOLID design, 19 mm frame, colour coated stainless steel V4A, matte graphite black

L (cm)	H = 19 mm Art. No.	€ / Set	P (Set)
50	KLA 19 MGS 50	319.48	10
60	KLA 19 MGS 60	328.01	10
70	KLA 19 MGS 70	336.30	10
80	KLA 19 MGS 80	344.80	10
90	KLA 19 MGS 90	353.14	10
100	KLA 19 MGS 100	361.44	10
110	KLA 19 MGS 110	370.29	10
120	KLA 19 MGS 120	378.85	10

Schlüter®-KERDI-LINE-B

SQUARE design, 19 mm frame, colour coated stainless steel V4A, matte graphite black

L (cm)	H = 19 mm Art. No.	€ / Set	P (Set)
50	KLB 19 MGS 50	319.48	10
60	KLB 19 MGS 60	328.01	10
70	KLB 19 MGS 70	336.30	10
80	KLB 19 MGS 80	344.80	10
90	KLB 19 MGS 90	353.14	10
100	KLB 19 MGS 100	361.44	10
110	KLB 19 MGS 110	370.29	10
120	KLB 19 MGS 120	378.85	10

Schlüter®-KERDI-LINE-C

FRAMED TILE design, 19 mm frame, colour coated stainless steel V4A, matte graphite black

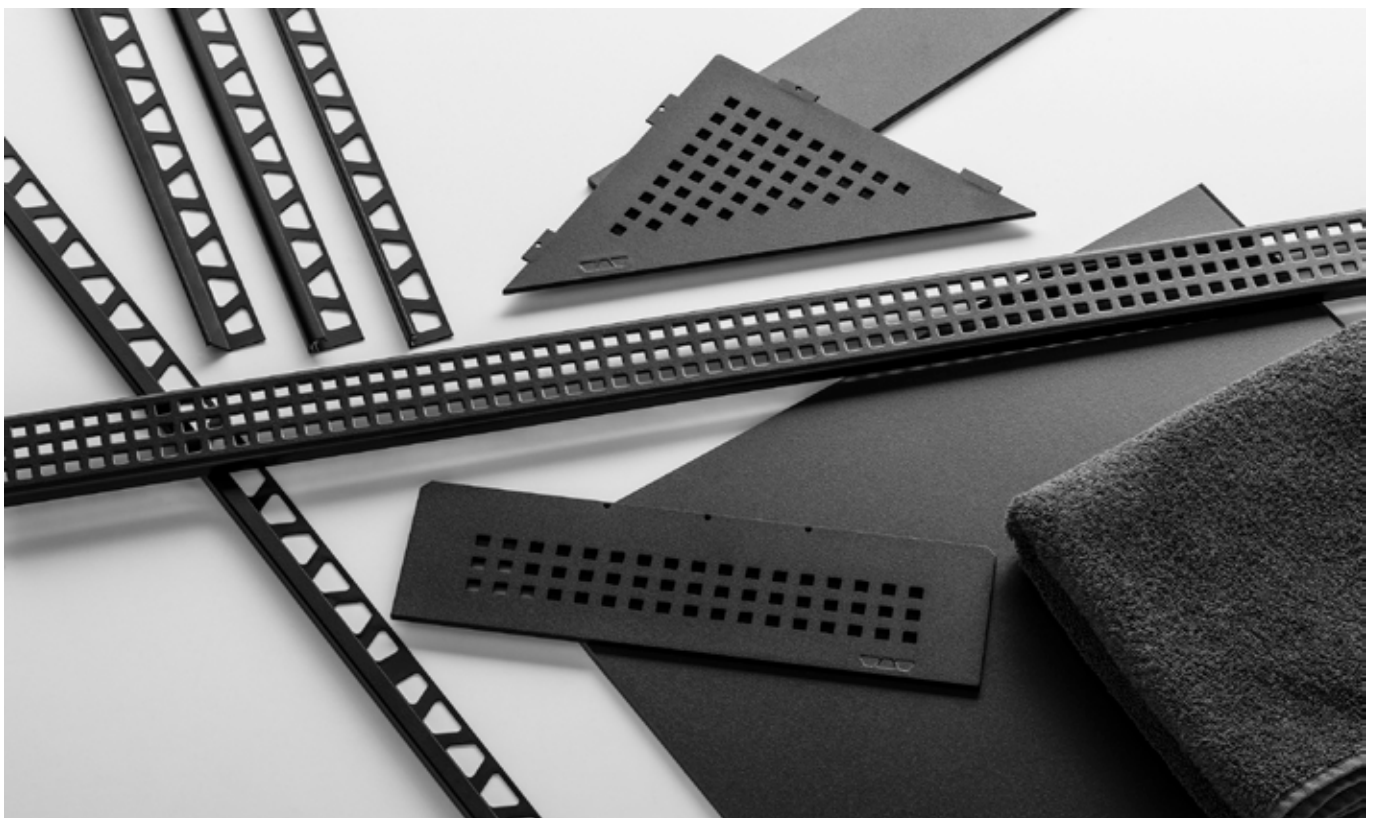
L (cm)	H = 19 mm Art. No.	€ / Set	P (Set)
50	KLCA 19 MGS 50	319.48	10
60	KLCA 19 MGS 60	328.01	10
70	KLCA 19 MGS 70	336.30	10
80	KLCA 19 MGS 80	344.80	10
90	KLCA 19 MGS 90	353.14	10
100	KLCA 19 MGS 100	361.44	10
110	KLCA 19 MGS 110	370.29	10
120	KLCA 19 MGS 120	378.85	10

Note:

H = 19 mm for covering thicknesses
3 - 15 mm

Note:

Tile pan (design C), suitable for tile
thicknesses up to 15 mm

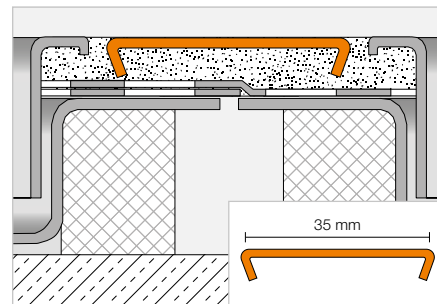


Accessories

Schlüter®-KERDI-LINE-FC



Schlüter-KERDI-LINE-FC is a stainless steel insert for the optical appearance between drain frames and grates of multiple Schlüter-KERDI-LINE linear drains when positioned in serial alignment, both in the contour frame and in the profile frame.
(Product data sheet 8.7)



Schlüter®-KERDI-LINE-FC

frame connector, stainless steel V4A, brushed

Art. No.	€ / U.	P (Unit)
V / KL EB 35	14.43	10

Schlüter®-KERDI-LINE-FC

frame connector, stainless steel V4A, polished

Art. No.	€ / U.	P (Unit)
V / KL EP 35	15.18	10

Schlüter®-KERDI-LINE-FC

frame connector, colour coated stainless steel V4A, matte graphite black

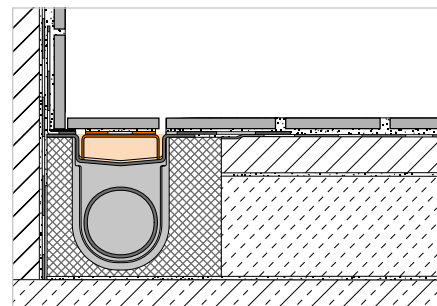
Art. No.	€ / U.	P (Unit)
V / KL MGS 35	18.76	10

Covering support

Schlüter®-KERDI-LINE-D



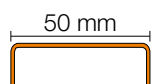
Schlüter-KERDI-LINE-D is a frameless channel cover to match Schlüter-KERDI-LINE channel bodies. The covering support features a fleece fabric for bonding with the tile adhesive and is universally suitable for all covering thicknesses.
(Product data sheet 8.7)



Schlüter®-KERDI-LINE-D

TILE design (frameless), stainless steel V4A

L (cm)	Art. No.	€ / U.	P (Unit)
49	KLD E 50	101.20	10
59	KLD E 60	106.93	10
69	KLD E 70	114.51	10
79	KLD E 80	121.33	10
89	KLD E 90	127.83	10
99	KLD E 100	135.81	10
109	KLD E 110	143.78	10
119	KLD E 120	150.29	10
129	KLD E 130	221.47	10
139	KLD E 140	228.22	10
149	KLD E 150	238.18	10
159	KLD E 160	249.36	10
169	KLD E 170	259.06	10
179	KLD E 180	279.92	10

**Note:**

The length of the selected covering support must match the channel length.

Schlüter-KERDI-LINE-D cannot be combined with the off-centre vertical drainage Schlüter-KERDI-LINE-VOS.

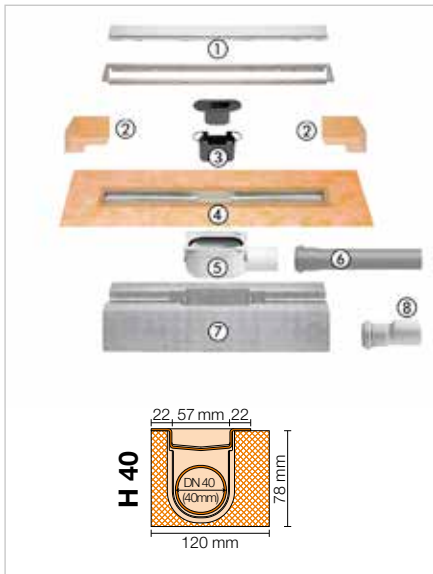


Complete set

Schlüter®-KERDI-LINE-A sets



Schlüter-KERDI-LINE-A sets are complete sets for linear floor-level showers with a horizontal drain. The linear drain set can be positioned centrally or at the perimeter of the shower area. The perimeter of the channel body consists of an adhesive flange that is coated with a collar made of Schlüter-KERDI. It ensures the reliable connection of the channel body to the bonded waterproofing assembly, both in the floor area and on upright walls. The set also includes a brushed stainless steel design grate Schlüter-KERDI-LINE-A to match the channel bodies. (Product data sheet 8.7)



Schlüter®-KERDI-LINE-A set

stainless steel V4A linear drain with odour trap, horizontal DN 40 drain, incl. SOLID design grate with 19 mm frame, brushed stainless steel V4A

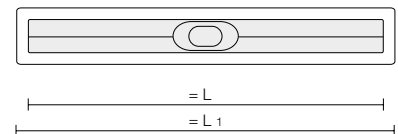
L (cm)	L1 (cm)	Art. No.	€ / Set	PL (Set)
80	85	KLA 19 EB 80 S1	573.75	10
90	95	KLA 19 EB 90 S1	589.53	10

Note:

frame height 19 mm for covering thicknesses 3 - 15 mm

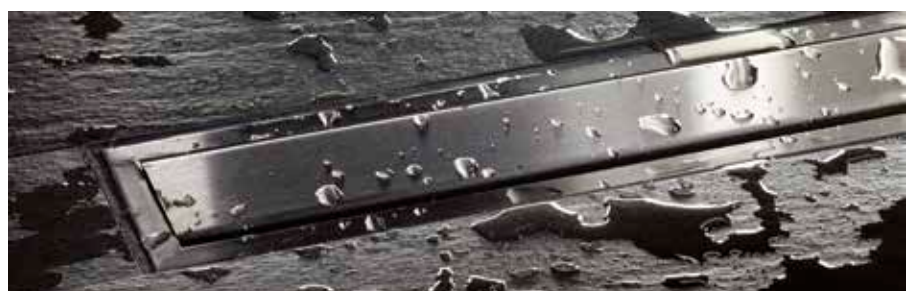
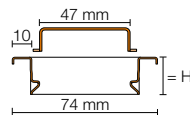
Technical data:

Drain	DN 40
Drain capacity	0.5 l/s
Water trap height	25 mm
Installation height	78 mm
Width of cover incl. frame	74 mm



Set components:

- 1 grate and frame combination with design grate SOLID
- 2 corner seal (for lateral wall connection)
- 3 two-part odour trap
- 4 channel body with sealing collar
- 5 drain body
- 6 drain pipe
- 7 channel support
- 8 DN 40 to DN 50 adapter

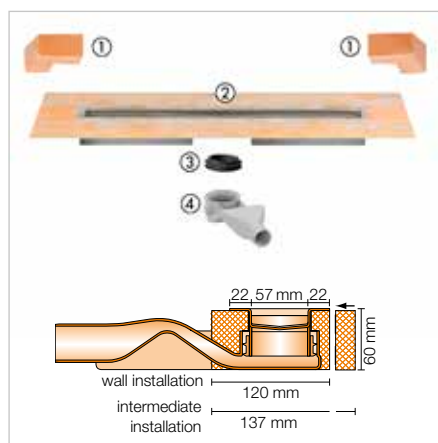
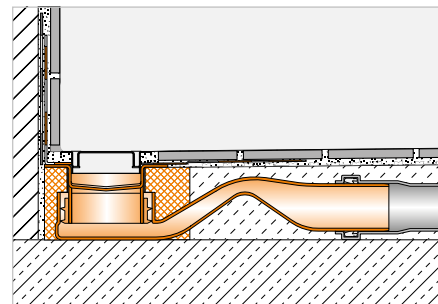


Linear drainage, horizontal

Schlüter®-KERDI-LINE-F 40



Schlüter-KERDI-LINE-F 40 is a complete set for linear floor-level showers with a horizontal, wave-shaped drain and integrated odour trap. It can be universally used for intermediate installation in floor or wall areas and is particularly well suited for restoration and modernisation projects because its low assembly height of just 60 mm. A collar made of Schlüter-KERDI is pre-adhered to the adhesive flange of the channel body for reliable connection to the bonded waterproofing assembly. (Product data sheet 8.7)



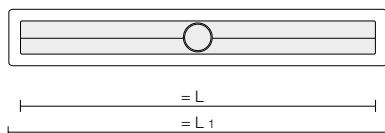
Schlüter®-KERDI-LINE-F 40

stainless steel V4A linear drainage set with integrated odour trap, horizontal DN 40 drain

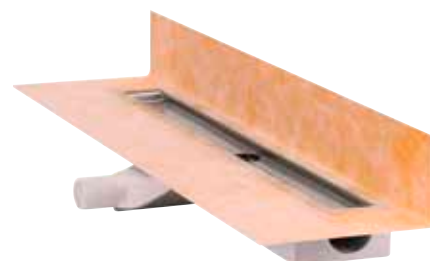
L (cm)	L1 (cm)	Art. No.	€ / Set	P (Set)
50	55	KLF 40 GE 50	300.54	10
60	65	KLF 40 GE 60	312.71	10
70	75	KLF 40 GE 70	324.90	10
80	85	KLF 40 GE 80	337.03	10
90	95	KLF 40 GE 90	350.01	10
100	105	KLF 40 GE 100	362.92	10
110	115	KLF 40 GE 110	372.82	10
120	125	KLF 40 GE 120	384.24	10

Set components:

- 1 corner seal
(for lateral wall connection)
- 2 channel body with sealing collar and channel support
- 3 lip seal
- 4 drain body with odour trap



Schlüter-KERDI collar,
level for intermediate installation



Schlüter-KERDI collar,
upright for wall installation

Technical data:

Drain	DN 40
Drain capacity	0.45 l/s
Water trap height	25 mm
Installation height	60 mm
Width of cover incl. frame	74 mm

Note:

Please see pages 211–215 for matching grate and frame combinations or covering supports.

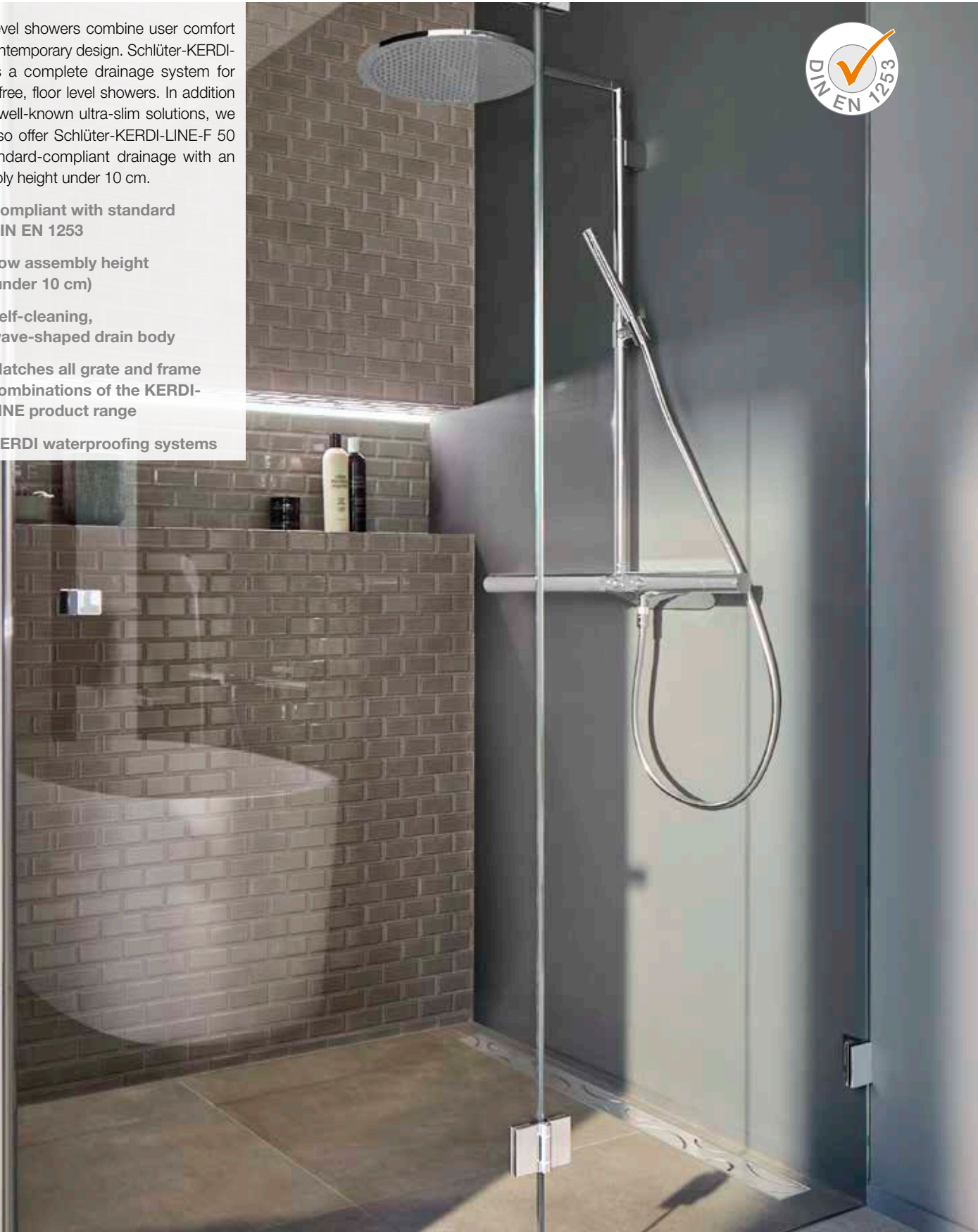


Schlüter®-KERDI-LINE-F 50

Standard-compliant drainage

Floor level showers combine user comfort with contemporary design. Schlüter-KERDI-LINE is a complete drainage system for barrier-free, floor level showers. In addition to our well-known ultra-slim solutions, we now also offer Schlüter-KERDI-LINE-F 50 for standard-compliant drainage with an assembly height under 10 cm.

- ✓ **Compliant with standard DIN EN 1253**
- ✓ **Low assembly height (under 10 cm)**
- ✓ **Self-cleaning, wave-shaped drain body**
- ✓ **Matches all grate and frame combinations of the KERDI-LINE product range**
- ✓ **KERDI waterproofing systems**



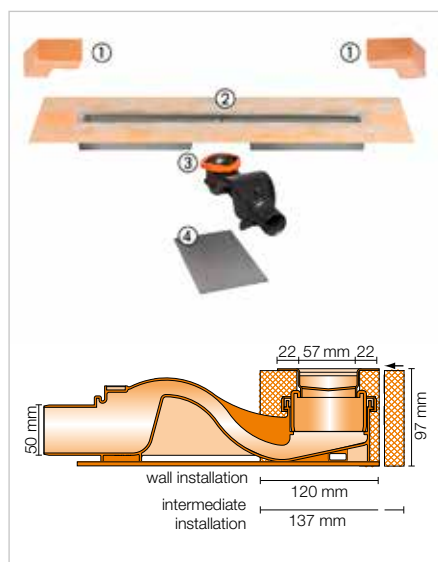
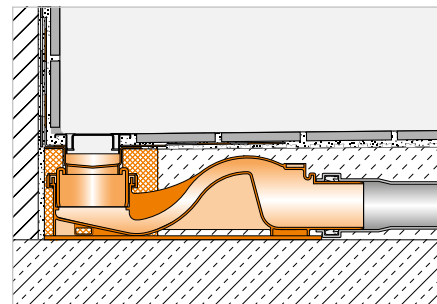
Linear drainage, horizontal

Schlüter®-KERDI-LINE-F 50



Schlüter-KERDI-LINE-F 50 is a complete set for linear floor-level showers with a horizontal, wave-shaped drain and integrated odour trap. It is universally suitable for central positioning in floors and walls and features a drain capacity ≥ 0.8 l/s according to BS EN 1253 as well as a water trap height of 50 mm in the odour trap unit. A collar made of Schlüter-KERDI is pre-adhered to the adhesive flange of the channel body for reliable connection to the bonded waterproofing assembly.

(Product data sheet 8.7)



Schlüter®-KERDI-LINE-F 50

stainless steel V4A linear drainage set with integrated odour trap, horizontal DN 50 drain

L (cm)	L1 (cm)	Art. No.	€ / Set	P (Set)
50	55	KLF 50 GE 50	328.00	10
60	65	KLF 50 GE 60	343.38	10
70	75	KLF 50 GE 70	353.63	10
80	85	KLF 50 GE 80	369.00	10
90	95	KLF 50 GE 90	384.38	10
100	105	KLF 50 GE 100	394.63	10
110	115	KLF 50 GE 110	410.00	10
120	125	KLF 50 GE 120	420.25	10
130	135	KLF 50 GE 130	558.63	10
140	145	KLF 50 GE 140	574.00	10
150	155	KLF 50 GE 150	589.38	10
160	165	KLF 50 GE 160	609.88	10
170	175	KLF 50 GE 170	630.38	10
180	185	KLF 50 GE 180	640.63	10

Set components:

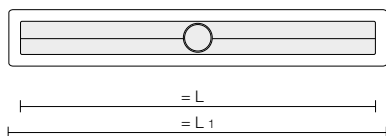
- 1 corner seal
(for lateral wall connection)
- 2 channel body with sealing collar and channel support
- 3 drain body DN 50 with odour trap, clamping ring and gasket
- 4 sound insulation element



Schlüter-KERDI collar,
level for intermediate installation



Schlüter-KERDI collar,
upright for wall installation



Technical data:

Drain	DN 50
Drain capacity	0.8 l/s
Water trap height	50 mm
Installation height	97 mm
Width of cover incl. frame	74 mm

Note:

Please see pages 211–215 for matching grate and frame combinations or covering supports.

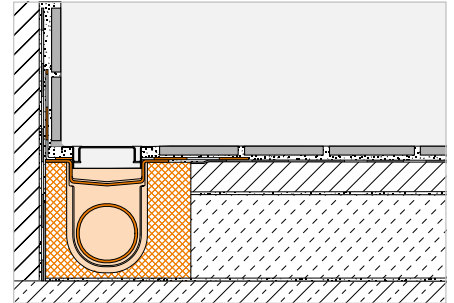


Linear drainage, horizontal

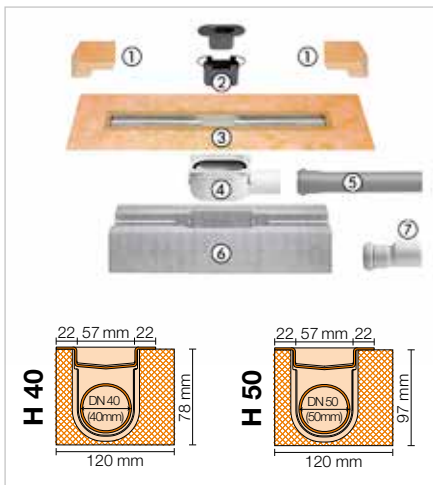
Schlüter®-KERDI-LINE-H



Schlüter-KERDI-LINE-H is a complete set for linear floor level showers with a horizontal drain. It can be positioned at intermediate or perimeter locations in the floor. The edge of the channel body consists of an adhesive flange that is coated with a collar made of Schlüter-KERDI. It ensures the reliable connection of the channel body to the bonded waterproofing assembly, both in the floor area and on upright walls. It can be universally used for intermediate installation in floor or at wall areas.

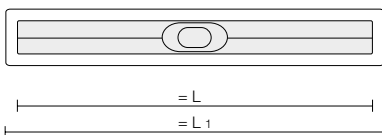


(Product data sheet 8.7)



Set components:

- 1 corner seal
(for lateral wall connection)
- 2 two-part odour trap
- 3 channel body with sealing collar
- 4 drain body
- 5 drain pipe
- 6 channel support
- 7 DN 40 to DN 50 adapter
(for KERDI-LINE-H 40 only)



Technical data:

Drain	DN 40	DN 50
Drain capacity	0.5 l/s	0.6 l/s
Water trap height	25 mm	30 mm
Installation height	78 mm	97 mm
Width of cover incl. frame	74 mm	74 mm

Schlüter®-KERDI-LINE-H 40

stainless steel V4A linear drainage set with odour trap, horizontal DN 40 drain

L (cm)	L1 (cm)	Art. No.	€ / Set	P (Set)
50	55	KLH 40 GE 50	300.54	10
60	65	KLH 40 GE 60	312.71	10
70	75	KLH 40 GE 70	324.90	10
80	85	KLH 40 GE 80	337.03	10
90	95	KLH 40 GE 90	350.01	10
100	105	KLH 40 GE 100	362.92	10
110	115	KLH 40 GE 110	372.82	10
120	125	KLH 40 GE 120	384.24	10
130	135	KLH 40 GE 130	508.93	10
140	145	KLH 40 GE 140	522.38	10
150	155	KLH 40 GE 150	538.03	10
160	165	KLH 40 GE 160	557.28	10
170	175	KLH 40 GE 170	574.37	10
180	185	KLH 40 GE 180	593.99	10

Schlüter®-KERDI-LINE-H 50

stainless steel V4A linear drainage set with odour trap, horizontal DN 50 drain

L (cm)	L1 (cm)	Art. No.	€ / Set	P (Set)
50	55	KLH 50 GE 50	300.54	10
60	65	KLH 50 GE 60	312.71	10
70	75	KLH 50 GE 70	324.90	10
80	85	KLH 50 GE 80	337.03	10
90	95	KLH 50 GE 90	350.01	10
100	105	KLH 50 GE 100	362.92	10
110	115	KLH 50 GE 110	372.82	10
120	125	KLH 50 GE 120	384.24	10
130	135	KLH 50 GE 130	508.93	10
140	145	KLH 50 GE 140	522.38	10
150	155	KLH 50 GE 150	538.03	10
160	165	KLH 50 GE 160	557.28	10
170	175	KLH 50 GE 170	574.37	10
180	185	KLH 50 GE 180	593.99	10

Note:

Please see pages 211–215 for matching grate and frame combinations or covering supports.

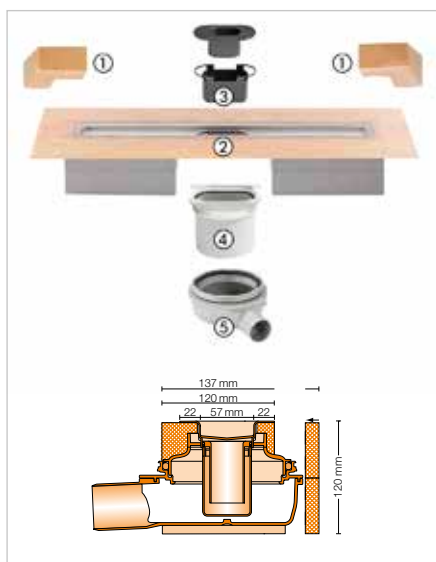
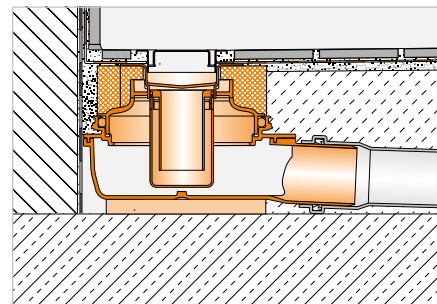
Linear drainage, horizontal

Schlüter®-KERDI-LINE-H 50 G2



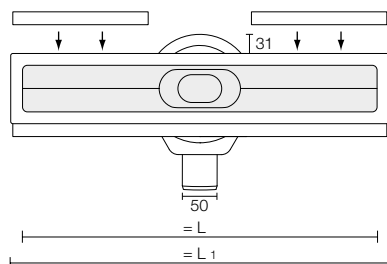
Schlüter-KERDI-LINE-H 50 G2 is a complete set for linear floor-level showers with a horizontal drain. It can be positioned at intermediate or perimeter locations in the floor and features a drain capacity ≥ 0.8 l/s according to DIN EN 1253 as well as a water trap height of 50 mm in the odour trap unit. A collar made of Schlüter-KERDI is pre-adhered to the adhesive flange of the channel body for reliable connection to the bonded waterproofing assembly.

(Product data sheet 8.7)



Set components:

- 1 corner seal
(for upright wall connection)
- 2 channel body with sealing collar and channel support
- 3 two-part odour trap
- 4 adapter
- 5 drain body



Schlüter®-KERDI-LINE-H 50 G2

stainless steel V4A linear drainage set with odour trap, horizontal DN 50 drain

L (cm)	L1 (cm)	Art. No.	€ / Set	P (Set)
50	55	KLH 50 G2E 50	377.02	10
60	65	KLH 50 G2E 60	390.72	10
70	75	KLH 50 G2E 70	404.44	10
80	85	KLH 50 G2E 80	411.29	10
90	95	KLH 50 G2E 90	425.01	10
100	105	KLH 50 G2E 100	438.73	10
110	115	KLH 50 G2E 110	445.58	10
120	125	KLH 50 G2E 120	459.28	10
130	135	KLH 50 G2E 130	582.66	10
140	145	KLH 50 G2E 140	596.37	10
150	155	KLH 50 G2E 150	610.09	10
160	165	KLH 50 G2E 160	630.63	10
170	175	KLH 50 G2E 170	644.36	10
180	185	KLH 50 G2E 180	664.91	10

Technical data:

Drain	DN 50
Drain capacity	0.8 l/s
Water trap height	50 mm
Installation height	120 mm
Width of cover incl. frame	74 mm

Note:

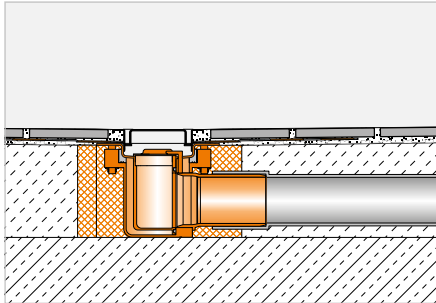
Please see pages 211–215 for matching grate and frame combinations or covering supports.



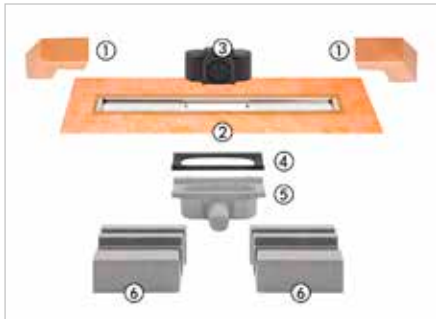
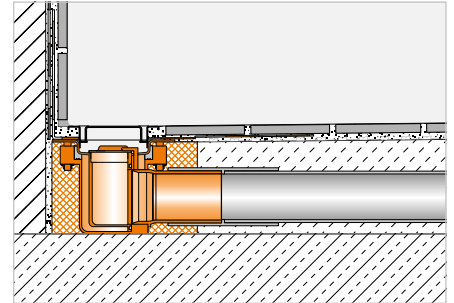
i
 Drain is designed for the UK market only! Outside diameter 43 mm

Linear drainage, horizontal

Schlüter®-KERDI-LINE-G3



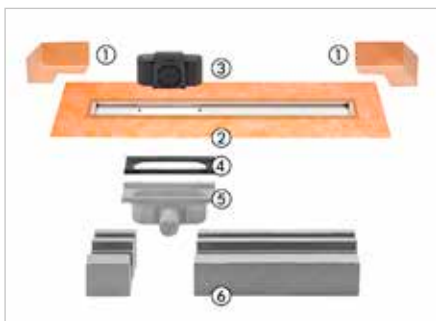
Schlüter-KERDI-LINE-G3 is a low-height linear drain constructed of stainless steel. This drain is available with central, offset and dual outlets and is suitable for perimeter or intermediate installation. As is standard for Schlüter linear drains, it also comes with a pre-adhered collar made of Schlüter-KERDI to create a reliable connection to the bonded waterproofing assembly.



Schlüter®-KERDI-LINE-G3

centre outlet, stainless steel V4A linear drainage

L (cm)	L1 (cm)	Art. No.	€ / Set	P (Set)
50	55	KL F 43 G3E 50	347.40	10
60	65	KL F 43 G3E 60	360.27	10
70	75	KL F 43 G3E 70	373.13	10
80	85	KL F 43 G3E 80	386.00	10
90	95	KL F 43 G3E 90	398.88	10
100	105	KL F 43 G3E 100	411.74	10
110	115	KL F 43 G3E 110	424.61	10
120	125	KL F 43 G3E 120	437.48	10



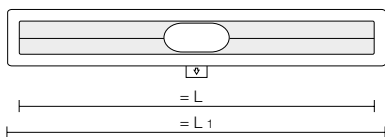
Schlüter®-KERDI-LINE-G3

left offset outlet, stainless steel V4A linear drainage

L (cm)	L1 (cm)	Art. No.	€ / Set	P (Set)
70	75	KL FOL 43 G3E 70	411.74	10
80	85	KL FOL 43 G3E 80	424.61	10
90	95	KL FOL 43 G3E 90	437.48	10
100	105	KL FOL 43 G3E 100	450.34	10
110	115	KL FOL 43 G3E 110	463.21	10
120	125	KL FOL 43 G3E 120	476.07	10

Set components:

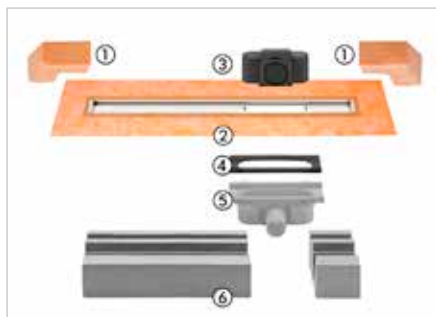
- 1 corner seal (for upright wall connection)
- 2 channel body with sealing collar
- 3 odour seal
- 4 EPDM gasket
- 5 drain body
- 6 channel support



Technical data:

Drain	BS 40 (outside diameter 43 mm)
Drain capacity	0.45 l/s (single drain) 0.8 l/s (double drain)
Water trap height	50 mm
Installation height	78 mm
Width of cover incl. frame	74 mm

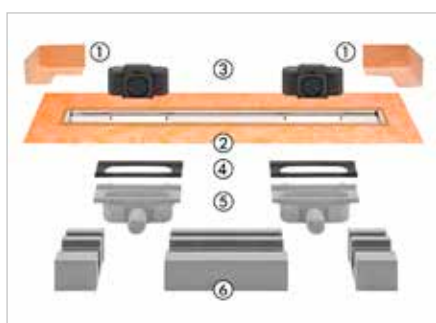
i
 Drain is designed for the UK market
 only! Outside diameter 43 mm



Schlüter®-KERDI-LINE-G3

right offset outlet, stainless steel V4A linear drainage

L (cm)	L1 (cm)	Art. No.	€ / Set	P (Set)
70	75	KL FOR 43 G3E 70	411.74	10
80	85	KL FOR 43 G3E 80	424.61	10
90	95	KL FOR 43 G3E 90	437.48	10
100	105	KL FOR 43 G3E 100	450.34	10
110	115	KL FOR 43 G3E 110	463.21	10
120	125	KL FOR 43 G3E 120	476.07	10



Schlüter®-KERDI-LINE-G3

dual offset outlet, stainless steel V4A linear drainage

L (cm)	L1 (cm)	Art. No.	€ / Set	P (Set)
100	105	KL F20 43 G3E 100	540.41	10
110	115	KL F20 43 G3E 110	553.27	10
120	125	KL F20 43 G3E 120	566.14	10

Set components:

- 1 corner seal
(for upright wall connection)
- 2 channel body with sealing collar
- 3 odour seal
- 4 EPDM gasket
- 5 drain body
- 6 channel support

Technical data:

Drain	BS 40 (outside diameter 43 mm)
Drain capacity	0.45 l/s (single drain) 0.8 l/s (double drain)
Water trap height	50 mm
Installation height	78 mm
Width of cover incl. frame	74 mm

Note:

Schlüter-KERDI-LINE-G3 can only be combined with the grate and frame combinations Design A, Design B and KERDI-LINE-STYLE.



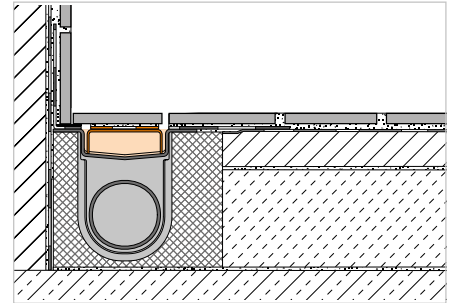
Covering support

i
Channel cover is designed for the UK market only!

Schlüter®-KERDI-LINE-D-G3



Schlüter-KERDI-LINE-D-G3 is a frameless channel cover to match Schlüter-KERDI-LINE-G3 channel bodies. The covering support features a fleece fabric for bonding with the tile adhesive and is universally suitable for all covering thicknesses.



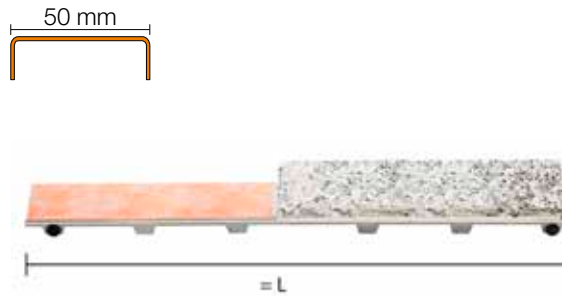
Note:

The length of the selected covering support must match the channel length.

Schlüter®-KERDI-LINE-D-G3

TILE design (frameless), stainless steel V4A

L (cm)	Art. No.	€ / U.	P (Unit)
49	KLD G3E 50	101.20	10
59	KLD G3E 60	106.93	10
69	KLD G3E 70	114.51	10
79	KLD G3E 80	121.33	10
89	KLD G3E 90	127.83	10
99	KLD G3E 100	135.81	10
109	KLD G3E 110	143.78	10
119	KLD G3E 120	150.29	10



Installation accessories

i
The installation materials are exclusively designed for the UK market!

Schlüter®-KERDI-LINE-F-G3



Schlüter-KERDI-LINE-F-G3 Timber Accessory is an accessory set for installing the drainage channel Schlüter-KERDI-LINE-G3 in a suspended wooden ceiling with use of the sloped tray Schlüter-KERDI-SHOWER-LTS (KSLT 1365 / 2000 S).

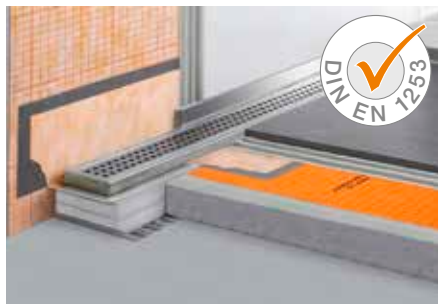
Schlüter®-KERDI-LINE-F-G3

installation accessories for the linear drainage Schlüter-KERDI-LINE-G3

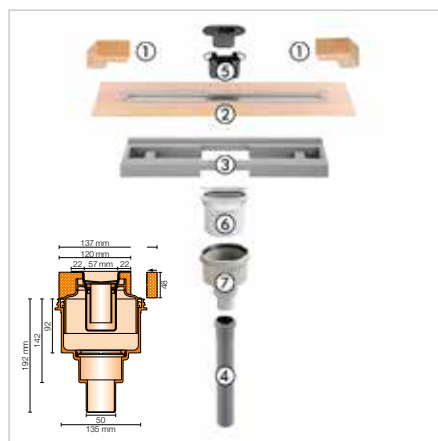
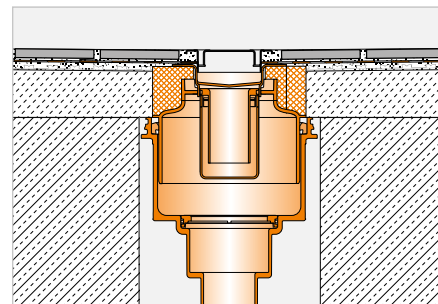
Art. No.	€ / Set	P (Set)
KL F 43 G3 TA	51.25	10

Linear drainage, vertical

Schlüter®-KERDI-LINE-V 50 G2

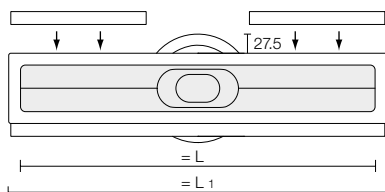


Schlüter-KERDI-LINE-V 50 G2 is a complete set for linear floor-level showers with a vertical drain. It can be positioned at intermediate or perimeter locations in the floor and features a drain capacity ≥ 0.8 l/s according to DIN EN 1253 and a water trap height of 50 mm in the odour trap unit. A collar made of Schlüter-KERDI is pre-adhered to the adhesive flange of the channel body for reliable connection to the bonded waterproofing assembly. (Product data sheet 8.7)



Set components:

- 1 corner seal
(for lateral wall connection)
- 2 channel body with sealing collar
- 3 channel support
- 4 drain pipe
- 5 two-part odour trap
- 6 adapter
- 7 drain body



Schlüter®-KERDI-LINE-V 50 G2

stainless steel V4A linear drainage set with odour trap, vertical DN 50 drain

L (cm)	L1 (cm)	Art. No.	€ / Set	P (Set)
50	55	KLV 50 G2E 50	377.02	10
60	65	KLV 50 G2E 60	390.72	10
70	75	KLV 50 G2E 70	404.44	10
80	85	KLV 50 G2E 80	411.29	10
90	95	KLV 50 G2E 90	425.01	10
100	105	KLV 50 G2E 100	438.73	10
110	115	KLV 50 G2E 110	445.58	10
120	125	KLV 50 G2E 120	459.28	10
130	135	KLV 50 G2E 130	582.66	10
140	145	KLV 50 G2E 140	596.37	10
150	155	KLV 50 G2E 150	610.09	10
160	165	KLV 50 G2E 160	630.63	10
170	175	KLV 50 G2E 170	644.36	10
180	185	KLV 50 G2E 180	664.91	10

Technical data:

Drain	DN 50
Drain capacity	1.0 l/s
Water trap height	50 mm
Installation height	48 mm
Width of cover incl. frame	74 mm

Note:

Please see pages 211–215 for matching grate and frame combinations or covering supports.



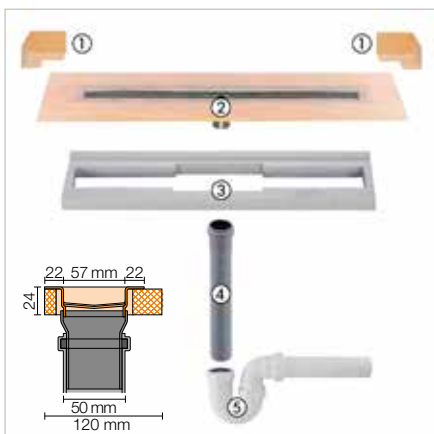
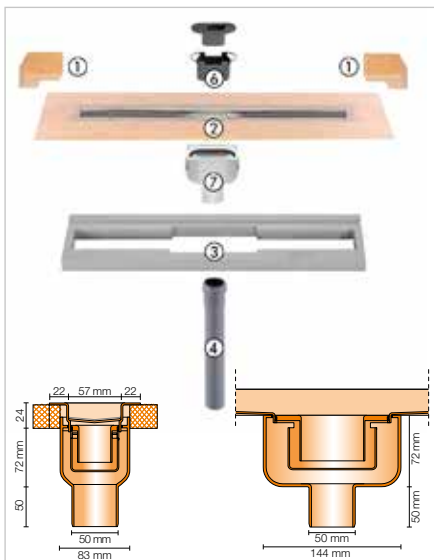
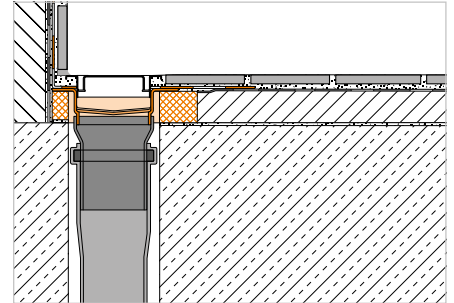
Linear drainage, vertical

Schlüter®-KERDI-LINE-V



Schlüter-KERDI-LINE-V is a complete set for linear floor-level showers with a vertical drain. It can be positioned at intermediate or perimeter locations in the floor. The perimeter of the channel body consists of an adhesive flange that is coated with a collar made of Schlüter-KERDI. It ensures the reliable connection of the channel body to the bonded waterproofing assembly, both in the floor area and on upright walls.

(Product data sheet 8.7)



Set components:

- 1 corner seal
(for lateral wall connection)
- 2 channel body with sealing collar
- 3 channel support
- 4 drain pipe DN 50 (L = 250 mm)
- 5 trap section
- 6 two-part odour trap
- 7 drain body

Schlüter®-KERDI-LINE-V

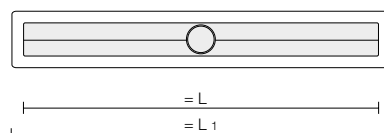
stainless steel V4A linear drainage set with odour trap, vertical DN 50 drain

L (cm)	L1 (cm)	Art. No.	€ / Set	P (Set)
50	55	KLV 50 GE 50	300.54	10
60	65	KLV 50 GE 60	312.71	10
70	75	KLV 50 GE 70	324.90	10
80	85	KLV 50 GE 80	337.03	10
90	95	KLV 50 GE 90	350.01	10
100	105	KLV 50 GE 100	362.92	10
110	115	KLV 50 GE 110	372.82	10
120	125	KLV 50 GE 120	384.24	10
130	135	KLV 50 GE 130	508.93	10
140	145	KLV 50 GE 140	522.38	10
150	155	KLV 50 GE 150	538.03	10
160	165	KLV 50 GE 160	557.28	10
170	175	KLV 50 GE 170	574.37	10
180	185	KLV 50 GE 180	593.99	10

Schlüter®-KERDI-LINE-VS

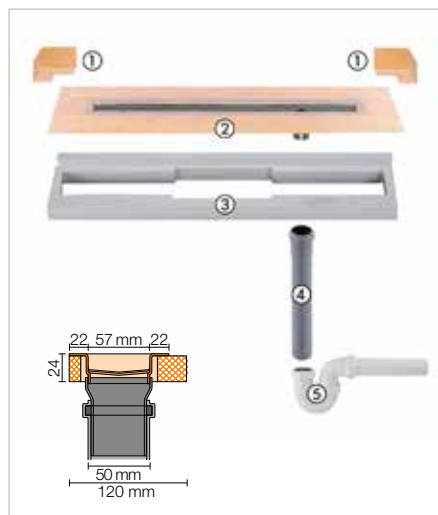
stainless steel V4A linear drainage set without odour trap, vertical DN 50 drain

L (cm)	L1 (cm)	Art. No.	€ / Set	P (Set)
50	55	KLV 50 GSE 50	300.54	10
60	65	KLV 50 GSE 60	312.71	10
70	75	KLV 50 GSE 70	324.90	10
80	85	KLV 50 GSE 80	337.03	10
90	95	KLV 50 GSE 90	350.01	10
100	105	KLV 50 GSE 100	362.92	10
110	115	KLV 50 GSE 110	372.82	10
120	125	KLV 50 GSE 120	384.24	10
130	135	KLV 50 GSE 130	508.93	10
140	145	KLV 50 GSE 140	522.38	10
150	155	KLV 50 GSE 150	538.03	10
160	165	KLV 50 GSE 160	557.28	10
170	175	KLV 50 GSE 170	574.37	10
180	185	KLV 50 GSE 180	593.99	10

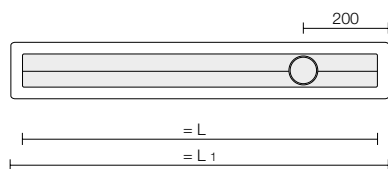


Note:

Please see pages 211–215 for matching grate and frame combinations or covering supports.

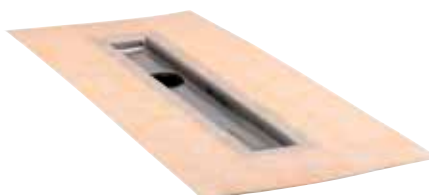
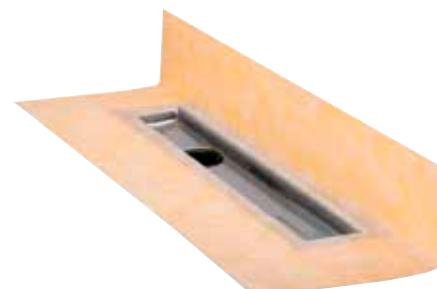
**Set components:**

- 1 corner seal
(for lateral wall connection)
- 2 channel body with sealing collar
- 3 channel support
- 4 drain pipe DN 50 (L = 250 mm)
- 5 trap section

**Schlüter®-KERDI-LINE-VOS**

stainless steel linear drainage set V4A without odour trap, off-centre drainage, vertical drain DN 50

L (cm)	L1 (cm)	Art. No.	€ / Set	P (Set)
70	75	KLVO 50 GSE 70	385.69	10
80	85	KLVO 50 GSE 80	397.71	10
90	95	KLVO 50 GSE 90	414.43	10
100	105	KLVO 50 GSE 100	429.32	10
110	115	KLVO 50 GSE 110	438.42	10
120	125	KLVO 50 GSE 120	450.80	10

Schlüter-KERDI collar,
level for intermediate installationSchlüter-KERDI collar,
upright for wall installation**Technical data:**

	-V	-VS/-VOS
Drain	DN 50	DN 50
Drain capacity	0.8 l/s	1.0 l/s
Water trap height	30 mm	50 mm
Installation height	24 mm	24 mm
Width of cover incl. frame	74 mm	74 mm

Note:

Please see pages 211–214 for matching grate and frame combinations. KERDI-LINE-VOS cannot be combined with KERDI-LINE-D.

No off-the-shelf solution: Set bathroom accents your customers will love with elegant drainage solutions, illuminated wall panels and niches with and without LED lighting. You can find the corresponding products KERDI-LINE-VARIO (from page 204) and KERDI-BOARD niches (from page 278) in this price list, while the LT 24 price list includes detailed information about Schlüter-LIPROTEC accent lighting. Of course you can also find all information online at schluter-systems.com

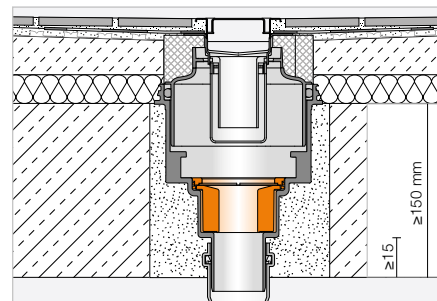


Fire protection insert

Schlüter®-KERDI-LINE-BS



Schlüter-KERDI-LINE-BS is an approved fire protection insert with clamping ring, which prevents the spread of fire between floor levels in conjunction with the vertical stainless steel linear drainage KLV 50 G2. (Product data sheet 8.7)



Schlüter®-KERDI-LINE-BS

fire protection insert with clamping ring

Art. No.	€ / U.	P (Unit)
KL BS	167.84	10

Fire protection insert

Schlüter®-KERDI-DRAIN-ZBS



Schlüter-KERDI-DRAIN-ZBS is a conduit gasket for fire protection. It is an alternative to mortar and serves, in conjunction with the vertical floor drain set KD BAV 50 GVB or the vertical stainless steel linear drainage KLV 50 G2, as a fire insulation seal of the core hole drilling (Ø 160 mm), while also preventing sound bridges. The product is only approved for fire protection in conjunction with KD BS or KL BS. (Product data sheet 8.2)

Schlüter®-KERDI-DRAIN-ZBS

conduit gasket with fire protection function

Art. No.	€ / U.	P (Unit)
KD ZBS	172.48	10

Odour seal

Schlüter®-KERDI-LINE-GTO



Schlüter-KERDI-LINE-GTO is a waterless odour trap. It can easily replace the wet trap in our linear drains, being intended for situations when infrequent use of the drain could result in the water in a wet trap evaporating. With a drain capacity of at least 0.4 l/s, it can also permanently replace the standard odour trap unit. (Product data sheet 8.7)

Schlüter®-KERDI-LINE-GTO

waterless odour trap

Art. No.	€ / U.	P (Unit)
KL GTO	32.40	10

Note:

Not suitable for Schlüter-KERDI-LINE-F/-VS/-VOS.



Odour seal

Schlüter®-KERDI-LINE-GTM



Schlüter-KERDI-LINE-GTM is a replacement odour seal for use with Schlüter-KERDI-DRAIN-R10 GT and Schlüter-KERDI-LINE-GTO.

(Product data sheet 8.7)

Schlüter®-KERDI-LINE-GTM

replacement odour seal

Art. No.	€ / U.	P (Unit)
KL GTM	17.49	10

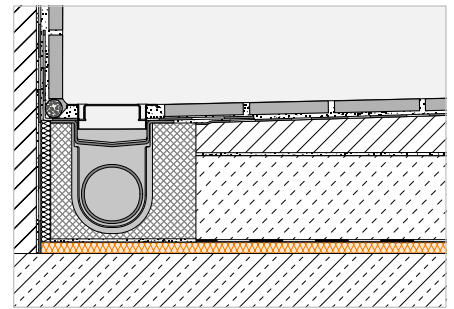
Sound insulation membrane

Schlüter®-KERDI-LINE-SR



Schlüter-KERDI-LINE-SR is an insulating membrane made of a special fleece fabric with acoustic reduction properties. When properly installed, assemblies with Schlüter-KERDI-LINE and KERDI-LINE-SR meet the requirements of the relevant European standards to comply with noise insulation in shower areas.

(Product data sheet 8.7)



Schlüter®-KERDI-LINE-SR

PES fleece mat (includes: 1 mat)

Thickness (mm)	Art. No.	€ / U.	P (Unit)
10	KL SR 250	23.01	5

Schlüter®-KERDI-LINE-SR

PES fleece mat (includes: 4 mats)

Thickness (mm)	Art. No.	€ / Package	P (Package)
10	KL SR 1000	77.50	5

Schlüter®-DITRA-SOUND-KB

joint covering strip

38 mm x 50 m Art. No.	€ / U.	P (Unit)
DS KB 38	16.11	10

Dimensions of individual mats: 0.5 m x 0.5 m = 0.25 m²



Note:

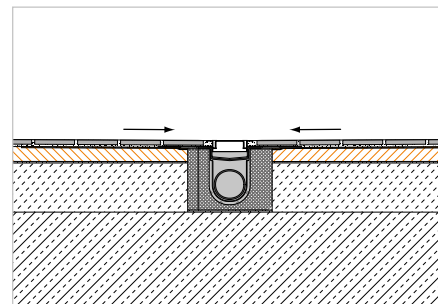
Please refer to our Planning Tool for certified system assemblies.

Sloped tray

Schlüter®-KERDI-SHOWER-LT



Schlüter-KERDI-SHOWER-LT is a sloped tray made of compression-resistant polystyrene with pre-adhered Schlüter-KERDI waterproofing. In showers, it creates a sufficient slope to the centre-installed linear drainage Schlüter-KERDI-LINE. The sloped tray is installed on a level, flat, load bearing substrate and fitted to the drainage channel on both sides. In cases of vertical drainage, the sloped tray can also be installed directly on suitable substrates. Where necessary the trays can be cut to size with a utility knife, using the pre-marked cutting grooves on the underside of the tray. (Product data sheet 8.8)



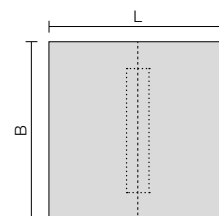
Schlüter®-KERDI-SHOWER-LT

sloped tray for linear drainage, for installation in the centre of tiled areas

L x B (cm)	H (mm)	Slope (%)	Art. No.	€ / U.	P (Unit)
100 x 100	32	2	KSLT 1000	181.53	10
122 x 122	34	2	KSLT 1220	212.82	10
139 x 139	36	2	KSLT 1395	256.65	10

Note:

Schlüter-KERDI-SHOWER-LT to match Schlüter-KERDI-LINE-H and KERDI-LINE-V – not suitable for Schlüter-KERDI-LINE-F.





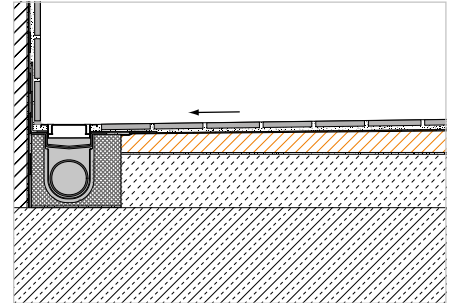
Sloped tray

Schlüter®-KERDI-SHOWER-LTS



Schlüter-KERDI-SHOWER-LTS is a sloped tray made of compression-resistant polystyrene with pre-adhered Schlüter-KERDI waterproofing. In showers, it creates a sufficient slope to the linear drainage Schlüter-KERDI-LINE positioned along walls. The sloped tray is installed on a level, flat, load bearing substrate and fitted to the drainage channel. In cases of vertical drainage, the sloped tray can also be installed directly on suitable substrates. Where necessary the trays can be cut to size with a utility knife, using the pre-marked cutting grooves on the underside of the tray.

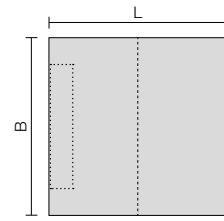
(Product data sheet 8.8)



Schlüter®-KERDI-SHOWER-LTS

sloped tray for linear drainage, for installation in wall transition areas, square

L x B (cm)	H (mm)	H1 (mm)	Slope (%)	Art. No.	€ / U.	P (Unit)
100 x 100	42	22	2	KSLT 1000 S	181.53	10
122 x 122	46	22	2	KSLT 1220 S	212.82	10
139 x 139	50	22	2	KSLT 1395 S	256.65	10



Schlüter®-KERDI-SHOWER-LTS

sloped tray for linear drainage, for installation in wall transition areas, short side

L x B (cm)	H (mm)	H1 (mm)	Slope (%)	Art. No.	€ / U.	P (Unit)
139 x 91	50	22	2	KSLT 915 / 1395 S	206.57	10
183 x 91	58	22	2	KSLT 915 / 1830 S	269.17	10
193 x 96	60	22	2	KSLT 965 / 1930 S	281.68	10
200 x 136	39	13	1.25	KSLT 1365 / 2000 S*	294.21	10

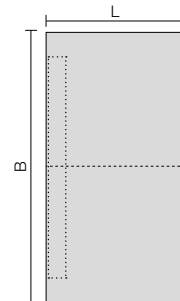


* Matches Schlüter-KERDI-LINE-H – not suitable for Schlüter-KERDI-LINE-F and KERDI-LINE-V. The slope for this board is 1.25 %. It cannot be combined with Schlüter-SHOWERPROFILE-S.

Schlüter®-KERDI-SHOWER-LTS

sloped tray for linear drainage, for installation in wall transition areas, long side

L x B (cm)	H (mm)	H1 (mm)	Slope (%)	Art. No.	€ / U.	P (Unit)
96 x 193	41	22	2	KSLT 1930 / 965 S	281.68	10



Note:

Schlüter-KERDI-SHOWER-LTS (except KSLT 1365 /2000 S*) to match Schlüter-KERDI-LINE-H and KERDI-LINE-V – not suitable for Schlüter-KERDI-LINE-F.

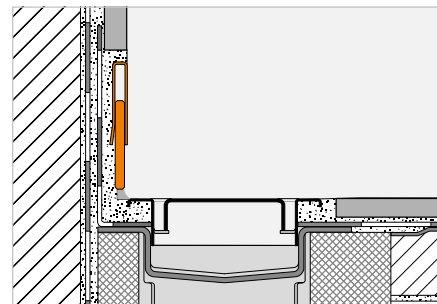
Wall transition profile

Schlüter®-SHOWERPROFILE-R



Schlüter-SHOWERPROFILE-R is a two-part wall transition profile for covering the wall area exposed due to the use of a wedge with a linear drainage channel. The profile is available in textured coated or brushed stainless steel. A fleece fabric is laminated on the underside for bonding with the tile adhesive. Due to the two-part design, Schlüter-SHOWERPROFILE-R can be seamlessly adjusted to any height between 23 and 45 mm (available in two versions).

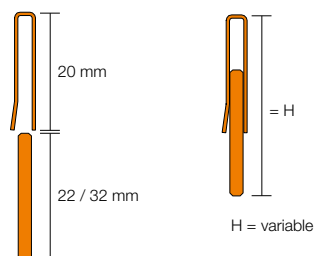
(Product data sheet 14.1)



Schlüter®-SHOWERPROFILE-RA

two-part wall transition profile,
brushed stainless steel V4A

H (mm)	L = 1.40 m Art. No.	€ / U.	KV (Unit)
23-35	SPRA 23 EB/140	79.06	40
33-45	SPRA 33 EB/140	86.67	40
L = 1.00 m			
23-35	SPRA 23 EB/100	63.84	40
33-45	SPRA 33 EB/100	69.92	40



Schlüter®-SHOWERPROFILE-RA

two-part wall transition profile,
colour coated stainless steel V4A

H (mm)	L = 1.40 m Art. No.	€ / U.	KV (Unit)
23-35	SPRA 23 ...*/140	102.50	40
23-35	SPRA 23 ...**/140	99.43	40
33-45	SPRA 33 ...*/140	110.70	40
33-45	SPRA 33 ...**/140	107.63	40
L = 1.00 m			
23-35	SPRA 23 ...*/100	83.03	40
23-35	SPRA 23 ...**/100	80.46	40
33-45	SPRA 33 ...*/100	92.25	40
33-45	SPRA 33 ...**/100	89.69	40

To complete the art. no., add the finish/colour (e.g. SPRA 23 TSC/140)

* Finishes/colours: TSBG - TSC - TSDA - TSG - TSI - TSOB - TSSG

** Finishes/colours: MBW - MGS

Available finishes | colours



For an overview of finishes and colours, please see page 342.



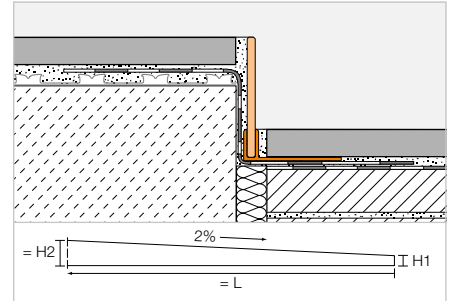
Triangular profile

Schlüter®-SHOWERPROFILE-S



Schlüter-SHOWERPROFILE-S is a triangular profile made of a brushed or textured stainless steel flat profile with a 2% slope for covering the sloped edges of floor-level showers. A fleece fabric is laminated on the reverse of the profile for bonding with the tile adhesive. A matching hard PVC support profile is available in different heights and features a U shaped installation channel. The triangular profile can be shortened as necessary on the short and/or long side to accommodate height adjustment. The triangular profile can be used on the left or right side of the floor transition or below the tiles of a lateral wall.

(Product data sheet 14.1)



Schlüter®-SHOWERPROFILE-SPS 50

PVC triangular support profile, brushed stainless steel V4A, H1= 6 mm

H (mm)	L = 2.00 m Art. No.	€ / U.	KV (Unit)
5	SPSA 50 EB/200	112.52	40
	L = 1.60 m		
5	SPSA 50 EB/160	78.45	40
	L = 1.20 m		
5	SPSA 50 EB/120	57.22	40

Schlüter®-SHOWERPROFILE-SPS 100

PVC triangular support profile, brushed stainless steel V4A, H1= 10 mm

H (mm)	L = 2.00 m Art. No.	€ / U.	KV (Unit)
10	SPSB 100 EB/200	119.40	40
	L = 1.60 m		
10	SPSB 100 EB/160	80.34	40
	L = 1.20 m		
10	SPSB 100 EB/120	61.34	40

Schlüter®-SHOWERPROFILE-SPS 125

PVC triangular support profile, brushed stainless steel V4A, H1= 10 mm

H (mm)	L = 2.00 m Art. No.	€ / U.	KV (Unit)
12.5	SPSB 125 EB/200	119.40	40
	L = 1.60 m		
12.5	SPSB 125 EB/160	80.34	40
	L = 1.20 m		
12.5	SPSB 125 EB/120	61.34	40

Schlüter®-SHOWERPROFILE-SPS 50

PVC triangular support profile, colour coated stainless steel V4A, H1= 6 mm

H (mm)	L = 2.00 m Art. No.	€ / U.	KV (Unit)
5	SPSA 50 ...*/200	140.94	40
5	SPSA 50 ...**/200	143.50	40
	L = 1.60 m		
5	SPSA 50 ...*/160	99.43	40
5	SPSA 50 ...**/160	102.50	40
	L = 1.20 m		
5	SPSA 50 ...*/120	72.78	40
5	SPSA 50 ...**/120	74.83	40

Schlüter®-SHOWERPROFILE-SPS 100

PVC triangular support profile, colour coated stainless steel V4A, H1= 10 mm

H (mm)	L = 2.00 m Art. No.	€ / U.	KV (Unit)
10	SPSB 100 ...*/200	148.63	40
10	SPSB 100 ...**/200	153.75	40
	L = 1.60 m		
10	SPSB 100 ...*/160	101.48	40
10	SPSB 100 ...**/160	104.55	40
	L = 1.20 m		
10	SPSB 100 ...*/120	79.95	40
10	SPSB 100 ...**/120	82.00	40

Schlüter®-SHOWERPROFILE-SPS 125

PVC triangular support profile, colour coated stainless steel V4A, H1= 10 mm

H (mm)	L = 2.00 m Art. No.	€ / U.	KV (Unit)
12.5	SPSB 125 ...*/200	148.63	40
12.5	SPSB 125 ...**/200	153.75	40
	L = 1.60 m		
12.5	SPSB 125 ...*/160	101.48	40
12.5	SPSB 125 ...**/160	104.55	40
	L = 1.20 m		
12.5	SPSB 125 ...*/120	79.95	40
12.5	SPSB 125 ...**/120	82.00	40

To complete the art. no., add the finish/colour (e.g. SPSB 125 MGS/200)

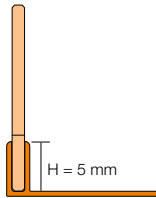
* Finishes/colours: MBW - MGS

** Finishes/colours: TSBG - TSC - TSDA - TSG - TSI - TSOB - TSSG

Available finishes | colours



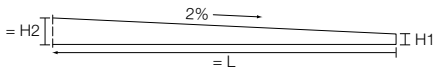
For an overview of finishes and colours, please see page 342.



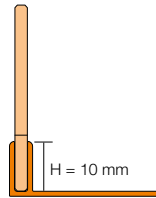
SPS 50

H = Profile height

SPS 50 is suitable for tile thicknesses of 6–9 mm



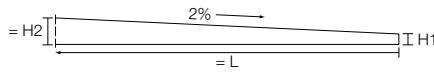
Triangular profile 120 cm: H2 = 30 mm, H1 = 6 mm
 Triangular profile 160 cm: H2 = 38 mm, H1 = 6 mm
 Triangular profile 200 cm: H2 = 46 mm, H1 = 6 mm



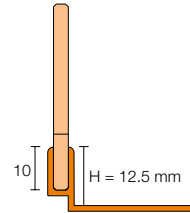
SPS 100

H = Profile height

SPS 100 is suitable for tile thicknesses of 10–18 mm



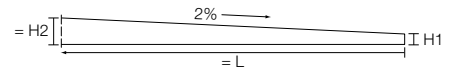
Triangular profile 120 cm: H2 = 34 mm, H1 = 10 mm
 Triangular profile 160 cm: H2 = 42 mm, H1 = 10 mm
 Triangular profile 200 cm: H2 = 50 mm, H1 = 10 mm



SPS 125

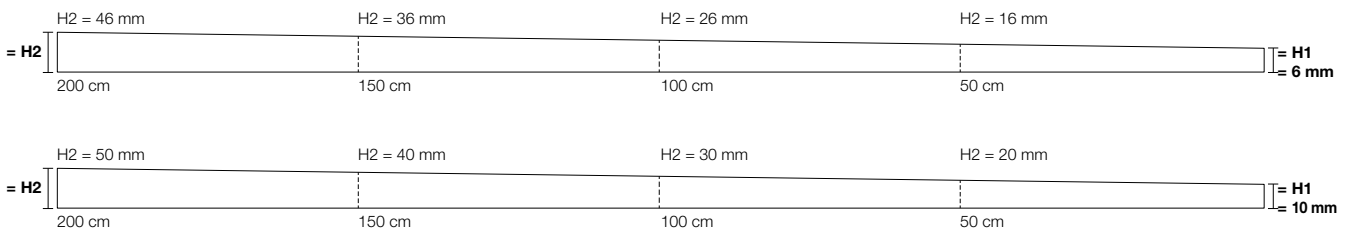
H = Profile height

SPS 125 is suitable for tile thicknesses of 12.5–20 mm



Triangular profile 120 cm: H2 = 34 mm, H1 = 10 mm
 Triangular profile 160 cm: H2 = 42 mm, H1 = 10 mm
 Triangular profile 200 cm: H2 = 50 mm, H1 = 10 mm

2% = 2 mm / 10 cm



Note:

Tapered profiles with higher support profiles in the heights 15, 18 and 22 mm are available upon request for larger tile thicknesses.

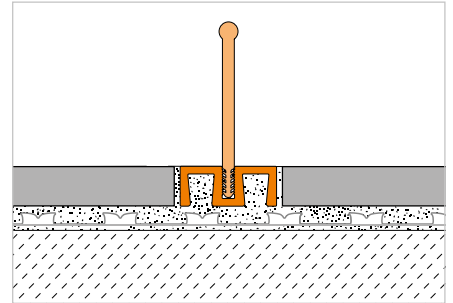


Splashguard profile

Schlüter®-SHOWERPROFILE-WS



Schlüter-SHOWERPROFILE-WS is a two piece profile of anodised aluminium that serves as a splashguard in floor level showers. The support profile is embedded in the tile adhesive during tile installation. It can be fitted with a semi-circular or upright straight lip to protect against splashing. Both variations are suitable for wheelchair use. (Product data sheet 14.2)



Schlüter®-SHOWERPROFILE-WS

support profile, anodised aluminium

L = 3.00 m Art. No.	€ / m	KV (Unit)
SPWS 19 AE / 300	24.72	40
L = 2.50 m		
SPWS 19 AE	24.72	40
L = 1.00 m		
SPWS 19 AE / 100	25.77	40

Lip

Schlüter®-SHOWERPROFILE-WSL

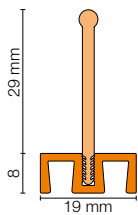
straight lip

L = 3.00 m Art. No.	€ / m	KV (Unit)
SPWSL 30 T / 300	15.39	40
L = 2.50 m		
SPWSL 30 T	15.39	40
L = 1.00 m		
SPWSL 30 T / 100	15.39	40

Schlüter®-SHOWERPROFILE-WSC

semi-circular lip

L = 3.00 m Art. No.	€ / m	KV (Unit)
SPWSC 16 GS / 300	12.72	40
L = 2.50 m		
SPWSC 16 GS	12.72	40
L = 1.00 m		
SPWSC 16 GS / 100	12.72	40



SHOWERPROFILE-WS + WSL



SHOWERPROFILE-WS + -WSC

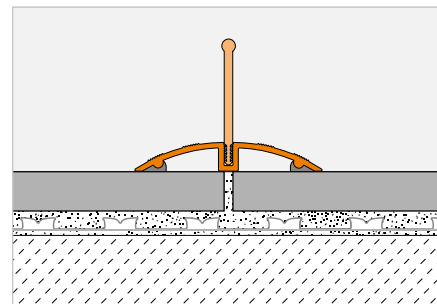
Splashguard profile

Schlüter®-SHOWERPROFILE-WSK



Schlüter-SHOWERPROFILE-WSK is a two-part profile of anodised aluminium that serves as a splashguard in floor-level showers. The support profile is retrofitted to existing coverings. It can be fitted with a semi-circular or upright straight lip to protect against splashing. Both variations are suitable for wheelchair use.

(Product data sheet 14.2)



Schlüter®-SHOWERPROFILE-WSK

support profile, anodised aluminium

L = 3.00 m Art. No.	€ / m	KV (Unit)
SPWSK 52 AE / 300	28.95	40
L = 2.50 m		
SPWSK 52 AE	28.95	40
L = 1.00 m		
SPWSK 52 AE / 100	29.99	40

Lip | end cap

Schlüter®-SHOWERPROFILE-WSL

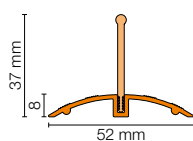
straight lip

L = 3.00 m Art. No.	€ / m	KV (Unit)
SPWSL 30 T / 300	15.39	40
L = 2.50 m		
SPWSL 30 T	15.39	40
L = 1.00 m		
SPWSL 30 T / 100	15.39	40

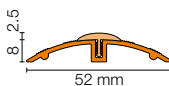
Schlüter®-SHOWERPROFILE-WSC

semi-circular lip

L = 3.00 m Art. No.	€ / m	KV (Unit)
SPWSC 16 GS / 300	12.72	40
L = 2.50 m		
SPWSC 16 GS	12.72	40
L = 1.00 m		
SPWSC 16 GS / 100	12.72	40



SHOWERPROFILE-WSK + -WSL

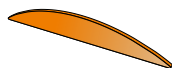


SHOWERPROFILE-WSK + -WSC

Schlüter®-SHOWERPROFILE-WSK/EK

end cap

Art. No.	€ / U.	P (Unit)
EK / SPWSK 52 AE	4.03	50



SHOWERPROFILE-WSK/-EK



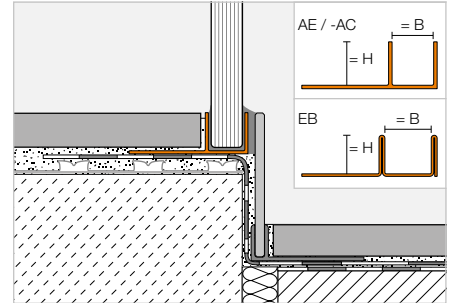
Attachment profile



Schlüter®-DECO-SG



Schlüter-DECO-SG is a decorative profile for joint design in tile coverings. It forms either a 12 mm or 15 mm wide shadow gap. The profile is ideal for holding and fixing glass elements in the floor and wall area.
(Product data sheet 2.16)



Schlüter®-DECO-SG-AE

anodised aluminium, B = 12 mm

H (mm)	L = 2.50 m Art. No.	€ / m	KV (Unit)
8	SG 80 AE 12	18.40	120
10	SG 100 AE 12	18.88	120
11	SG 110 AE 12	19.31	120
12.5	SG 125 AE 12	19.82	120

Schlüter®-DECO-SG-EB

brushed stainless steel V4A, B = 12 mm

H (mm)	L = 2.50 m Art. No.	€ / m	KV (Unit)
8	SG 80 EB 12	51.47	120
10	SG 100 EB 12	54.05	120
11	SG 110 EB 12	56.61	120
12.5	SG 125 EB 12	59.18	120

Schlüter®-DECO-SG-AC

colour coated aluminium, B = 12 mm

H (mm)	L = 2.50 m Art. No.	€ / m	KV (Unit)
8	SG 80 BW 12	21.53	120
10	SG 100 BW 12	22.04	120
11	SG 110 BW 12	22.55	120
12.5	SG 125 BW 12	23.06	120

Schlüter®-DECO-SG-AE

anodised aluminium, B = 15 mm

H (mm)	L = 2.50 m Art. No.	€ / m	KV (Unit)
8	SG 80 AE 15	21.29	120
10	SG 100 AE 15	21.60	120
11	SG 110 AE 15	22.36	120
12.5	SG 125 AE 15	22.85	120

Schlüter®-DECO-SG-EB

brushed stainless steel V4A, B = 15 mm

H (mm)	L = 2.50 m Art. No.	€ / m	KV (Unit)
8	SG 80 EB 15	55.33	120
10	SG 100 EB 15	57.90	120
11	SG 110 EB 15	60.48	120
12.5	SG 125 EB 15	63.05	120

Schlüter®-DECO-SG-AC

colour coated aluminium, B = 15 mm

H (mm)	L = 2.50 m Art. No.	€ / m	KV (Unit)
8	SG 80 BW 15	25.11	120
10	SG 100 BW 15	25.63	120
11	SG 110 BW 15	26.14	120
12.5	SG 125 BW 15	26.65	120

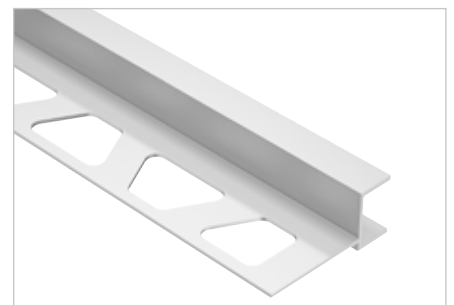
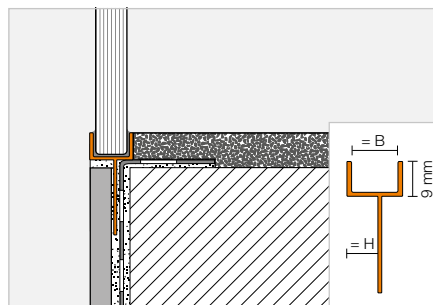


Available coloured finishes:

BW

Colours: BW

For an overview of finishes and colours, please see page 342.



Schlüter®-DECO-SGC-AE

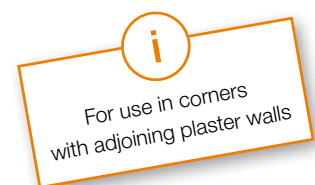
anodised aluminium, B = 12 mm

H (mm)	L = 2.50 m Art. No.	€ / m	KV (Unit)
8	SGC 80 AE 12	19.89	120
10	SGC 100 AE 12	20.35	120
11	SGC 110 AE 12	20.87	120
12.5	SGC 125 AE 12	21.38	120

Schlüter®-DECO-SGC-AE

anodised aluminium, B = 15 mm

H (mm)	L = 2.50 m Art. No.	€ / m	KV (Unit)
8	SGC 80 AE 15	23.01	120
10	SGC 100 AE 15	23.30	120
11	SGC 110 AE 15	24.11	120
12.5	SGC 125 AE 15	24.63	120



Schlüter®-KERDI-DRAIN

Drainage information summary

- ✓ Floor drain system for centre point drainage
- ✓ Secure connection to bonded waterproofing assemblies with Schlüter-KERDI
- ✓ Various grate and frame combinations
- ✓ Design grates made of brushed stainless steel
- ✓ Horizontal and vertical drainage
- ✓ Includes Schlüter-KERDI collar for connecting to the bonded waterproofing assembly





Schlüter®-KERDI-DRAIN

Floor-level showers with point drainage

The Schlüter-KERDI-DRAIN point drainage channels wastewater to the building drainage system either horizontally or vertically. Schlüter-KERDI-SHOWER sloped trays are a quick way to create level and waterproof substrates for tile installation. Schlüter-SHOWERPROFILE is designed to conceal exposed edges in the shower and provides a reliable splashguard. Schlüter-DECO-SG keeps shower screens in their correct positions. Schlüter-KERDI and -DITRA ensure waterproofing in the wall and floor area. Abutting joints are sealed with Schlüter-KERDI-KEBA sealing tapes, using Schlüter-KERDI-COLL.

(Product data sheet 8.2)

Resilient and proven: Our classics



Design 1: CLASSIC



Design 1: CLASSIC



Design 1: CLASSIC ROUND



Design 2: TRAPEZOID

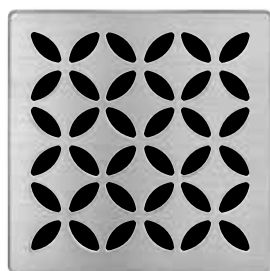


Design 3: SQUARE



Design 4: TILE

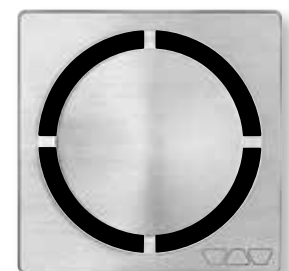
Schlüter®-KERDI-DRAIN-STYLE



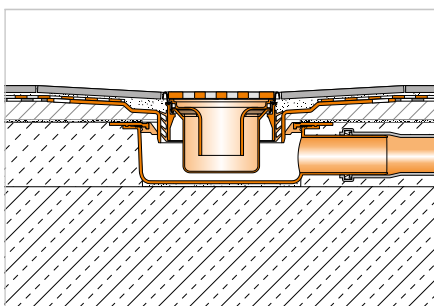
Design 5: FLORAL



Design 6: CURVE



Design 7: PURE



- ① Schlüter®-KERDI-DRAIN drain body
- ② Schlüter®-KERDI-DRAIN grate and frame sets
- ③ Schlüter®-KERDI-SHOWER
- ④ Schlüter®-DITRA
- ⑤ Schlüter®-KERDI 200
- ⑥ Schlüter®-KERDI-KEBA
- ⑦ Schlüter®-SHOWERPROFILE-WS/-WSK
- ⑧ Schlüter®-DECO-SG
- ⑨ Schlüter®-DILEX-RF

Page 243–252

Page 243–252

Page 259–260

Page 169

Page 190

Page 191

Page 236–237

Page 238

Page 141

The following pages feature all combination options for grate and frame sets and horizontal or vertical floor drain sets. This is followed by a section with components for special applications and replacement parts.



Schlüter®-KERDI-DRAIN

Horizontal drain with odour trap

Point drainage in interior spaces

Grate and frame set

- ① stainless steel grate with frame
- ② height adjustment ring

Floor drain

- ③ Schlüter-KERDI collar
- ④ bonding flange
- ⑤ drain body in screed

Note:
Order floor drain set and grate/frame set separately.

Special notes on grates

KERDI-DRAIN-BASE only:
All grates feature an odour trap and gasket seal.

All grates have a frame extension (except for KD R10 ED4) and height adjustment option. These grates have no odour trap, as the odour trap is integrated into the floor drain set. All grates include a dirt trapping screen, except for KD R10 ED4, KD R15 ED1 S, KD R15 ED1 SB and KD R15 ED1 SR.

Grate design

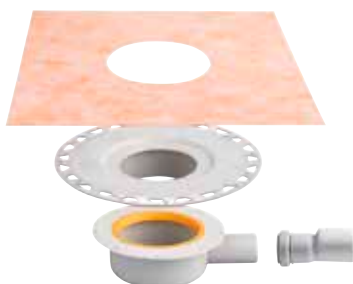
- Design 1 CLASSIC
- Design 1 CLASSIC ROUND
- Design 2 TRAPEZOID
- Design 3 SQUARE
- Design 4 TILE
- Design 5 FLORAL
- Design 6 CURVE
- Design 7 PURE

DN 40/50

Drain capacity: 0.4 l/s, Min. assembly height: 75 (70) mm

Floor drain

Schlüter®-KERDI-DRAIN-BASE



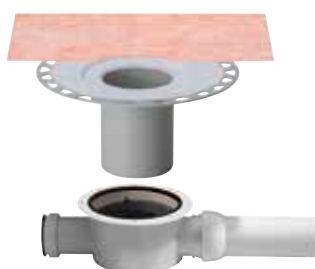
Art. No.	€ / U.
KD BH 40	74.04

+	Grate/frame set with odour seal	L x B (cm)	Art. No.	€ / U.
	Design 1, stainless steel with screws	10 x 10	KD R10 ED1 SGV	76.24
	Design 1, stainless steel V4A with screws	10 x 10	KD R10 V4A D1 SGV	92.53
	Design 1, polished stainless steel with screws	10 x 10	KD R10 EPD1 SGV	81.74
	Design 1, stainless steel	10 x 10	KD R10 ED1 GV	76.24
	Design 1, stainless steel, bronze oil-rubbed finish, with screws	10 x 10	KD R10 EOB D1 SGV	103.65
	Design 2, brushed stainless steel	10 x 10	KD R10 ED2 GV	129.57
	Design 3, brushed stainless steel	10 x 10	KD R10 ED3 GV	129.57
	Design 4, covering support	10 x 10	KD R10 ED4 GV	76.24
	Design 5, brushed stainless steel	10 x 10	KD IF 10 EB D5 GV	127.67
	Design 6, brushed stainless steel	10 x 10	KD IF 10 EB D6 GV	127.67
	Design 7, brushed stainless steel	10 x 10	KD IF 10 EB D7 GV	130.25

DN 50

Drain capacity: 0.6 l/s, Min. assembly height: 97 mm

Floor drain



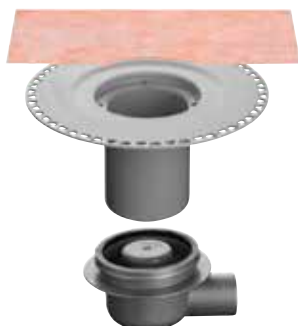
Art. No.	€ / U.
KD BH 50 GV	111.07

+	Grate and frame set	L x B (cm)	Art. No.	€ / U.
	Design 1, stainless steel with screws	10 x 10	KD R10 ED1 S	65.15
	Design 1, stainless steel V4A with screws	10 x 10	KD R10 V4A D1 S	81.43
	Design 1, polished stainless steel with screws	10 x 10	KD R10 EPD1 S	69.84
	Design 1, stainless steel	10 x 10	KD R10 ED1	65.15
	Design 1, stainless steel, bronze oil-rubbed finish, with screws	10 x 10	KD R10 EOB D1 S	92.53
	Design 1, stainless steel with screws	15 x 15	KD R15 ED1 S	88.84
	Design 1, stainless steel with screws (round)	15 x 15	KD R15 ED1 SR	88.84
	Design 2, brushed stainless steel	10 x 10	KD R10 ED2	118.47
	Design 3, brushed stainless steel	10 x 10	KD R10 ED3	118.47
	Design 4, covering support	10 x 10	KD R10 ED4	65.15
	Design 5, brushed stainless steel	10 x 10	KD IF 10 EB D5	115.98
	Design 6, brushed stainless steel	10 x 10	KD IF 10 EB D6	115.98
	Design 7, brushed stainless steel	10 x 10	KD IF 10 EB D7	118.59

DN 50/70

Drain capacity: 0.8 l/s, Min. assembly height: 115 mm

Floor drain



Art. No.	€ / U.
KD BH 5070 GVB	119.07

+	Grate and frame set	L x B (cm)	Art. No.	€ / U.
	Design 1, stainless steel with screws	15 x 15	KD R15 ED1 SB	79.25

P = 10 units



Schlüter®-KERDI-DRAIN

Vertical drain with odour trap

Point drainage in interior spaces

Grate and frame set

- ① stainless steel grate with frame
- ② height adjustment ring

Floor drain

- ③ two-part odour trap
- ④ Schlüter-KERDI collar
- ⑤ thin-set floor drain

Note:
Order floor drain set and grate/frame set separately.

Special features of grates – odour trap in the floor drain set



All grates have a frame extension (except for KD R10 ED4) and height adjustment option. These grates have no odour trap, as the odour trap is integrated into the floor drain set. All grates include a dirt trapping screen, except for KD R10 ED4, KD R15 ED1 S, KD R15 ED1 SB and KD R15 ED1 SR.



Grate design



DN 50

Drain capacity: 0.6 l/s

Floor drain



Art. No.	€ / U.
KD BV 50 GV	82.91

+	Grate and frame set	L x B (cm)	Art. No.	€ / U.
	Design 1, stainless steel with screws	10 x 10	KD R10 ED1 S	65.15
	Design 1, stainless steel V4A with screws	10 x 10	KD R10 V4A D1 S	81.43
	Design 1, polished stainless steel with screws	10 x 10	KD R10 EPD1 S	69.84
	Design 1, stainless steel	10 x 10	KD R10 ED1	65.15
	Design 1, stainless steel, bronze oil-rubbed finish, with screws	10 x 10	KD R10 EOB D1 S	92.53
	Design 1, stainless steel with screws	15 x 15	KD R15 ED1 S	88.84
	Design 1, stainless steel with screws (round)	15 x 15	KD R15 ED1 SR	88.84
	Design 2, brushed stainless steel	10 x 10	KD R10 ED2	118.47
	Design 3, brushed stainless steel	10 x 10	KD R10 ED3	118.47
	Design 4, covering support	10 x 10	KD R10 ED4	65.15
	Design 5, brushed stainless steel	10 x 10	KD IF 10 EB D5	115.98
	Design 6, brushed stainless steel	10 x 10	KD IF 10 EB D6	115.98
	Design 7, brushed stainless steel	10 x 10	KD IF 10 EB D7	118.59

DN 50

Drain capacity: 0.6 l/s

Floor drain



Art. No.	€ / U.
KD BV 50 GVB	119.07

+	Grate and frame set	L x B (cm)	Art. No.	€ / U.
	Design 1, stainless steel with screws	10 x 10	KD R10 ED1 S	65.15
	Design 1, stainless steel V4A with screws	10 x 10	KD R10 V4A D1 S	81.43
	Design 1, polished stainless steel with screws	10 x 10	KD R10 EPD1 S	69.84
	Design 1, stainless steel	10 x 10	KD R10 ED1	65.15
	Design 1, stainless steel, bronze oil-rubbed finish, with screws	10 x 10	KD R10 EOB D1 S	92.53
	Design 2, brushed stainless steel	10 x 10	KD R10 ED2	118.47
	Design 3, brushed stainless steel	10 x 10	KD R10 ED3	118.47
	Design 4, covering support	10 x 10	KD R10 ED4	65.15
	Design 5, brushed stainless steel	10 x 10	KD IF 10 EB D5	115.98
	Design 6, brushed stainless steel	10 x 10	KD IF 10 EB D6	115.98
	Design 7, brushed stainless steel	10 x 10	KD IF 10 EB D7	118.59

DN 50

Drain capacity: 1.8 l/s

Floor drain



Art. No.	€ / U.
KD BAV 50 GVB	126.59

+	Grate and frame set	L x B (cm)	Art. No.	€ / U.
	Design 1, stainless steel with screws	15 x 15	KD R15 ED1 SB	79.25



Schlüter®-KERDI-DRAIN

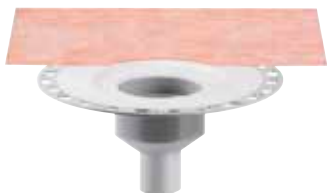
Vertical drain with odour trap

Point drainage in interior spaces

DN 50

Drain capacity: 0.6 l/s

Floor drain



Art. No.	€ / U.
KD BV 50	62.17

+	Grate/frame set with odour seal	L x B (cm)	Art. No.	€ / U.
	Design 1, stainless steel with screws	10 x 10	KD R10 ED1 SGV	76.24
	Design 1, stainless steel V4A with screws	10 x 10	KD R10 V4A D1 SGV	92.53
	Design 1, polished stainless steel with screws	10 x 10	KD R10 EPD1 SGV	81.74
	Design 1, stainless steel	10 x 10	KD R10 ED1 GV	76.24
	Design 1, stainless steel, bronze oil-rubbed finish, with screws	10 x 10	KD R10 EOB D1 SGV	103.65
	Design 2, brushed stainless steel	10 x 10	KD R10 ED2 GV	129.57
	Design 3, brushed stainless steel	10 x 10	KD R10 ED3 GV	129.57
	Design 4, covering support	10 x 10	KD R10 ED4 GV	76.24
	Design 5, brushed stainless steel	10 x 10	KD IF 10 EB D5 GV	127.67
	Design 6, brushed stainless steel	10 x 10	KD IF 10 EB D6 GV	127.67
	Design 7, brushed stainless steel	10 x 10	KD IF 10 EB D7 GV	130.25

DN 70

Drain capacity: 0.6 l/s

Floor drain



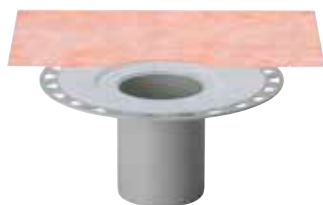
Art. No.	€ / U.
KD BV 70	62.17

+	Grate/frame set with odour seal	L x B (cm)	Art. No.	€ / U.
	Design 1, stainless steel with screws	10 x 10	KD R10 ED1 SGV	76.24
	Design 1, stainless steel V4A with screws	10 x 10	KD R10 V4A D1 SGV	92.53
	Design 1, polished stainless steel with screws	10 x 10	KD R10 EPD1 SGV	81.74
	Design 1, stainless steel	10 x 10	KD R10 ED1 GV	76.24
	Design 1, stainless steel, bronze oil-rubbed finish, with screws	10 x 10	KD R10 EOB D1 SGV	103.65
	Design 2, brushed stainless steel	10 x 10	KD R10 ED2 GV	129.57
	Design 3, brushed stainless steel	10 x 10	KD R10 ED3 GV	129.57
	Design 4, covering support	10 x 10	KD R10 ED4 GV	76.24
	Design 5, brushed stainless steel	10 x 10	KD IF 10 EB D5 GV	127.67
	Design 6, brushed stainless steel	10 x 10	KD IF 10 EB D6 GV	127.67
	Design 7, brushed stainless steel	10 x 10	KD IF 10 EB D7 GV	130.25

DN 100

Drain capacity: 0.6 l/s

Floor drain



Grate/frame set with odour seal	L x B (cm)	Art. No.	€ / U.
Design 1, stainless steel with screws	10 x 10	KD R10 ED1 SGV	76.24
Design 1, stainless steel V4A with screws	10 x 10	KD R10 V4A D1 SGV	92.53
Design 1, polished stainless steel with screws	10 x 10	KD R10 EPD1 SGV	81.74
Design 1, stainless steel	10 x 10	KD R10 ED1 GV	76.24
Design 1, stainless steel, bronze oil-rubbed finish, with screws	10 x 10	KD R10 EOB D1 SGV	103.65
Design 2, brushed stainless steel	10 x 10	KD R10 ED2 GV	129.57
Design 3, brushed stainless steel	10 x 10	KD R10 ED3 GV	129.57
Design 4, covering support	10 x 10	KD R10 ED4 GV	76.24
Design 5, brushed stainless steel	10 x 10	KD IF 10 EB D5 GV	127.67
Design 6, brushed stainless steel	10 x 10	KD IF 10 EB D6 GV	127.67
Design 7, brushed stainless steel	10 x 10	KD IF 10 EB D7 GV	130.25

Art. No.	€ / U.
KD BV 100	62.17

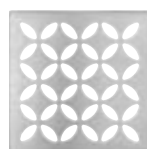
P = 10 units

Special features of grates – odour trap in the grate and frame set



All grates feature an odour trap and gasket seal.

Grate design

Design 1
CLASSICDesign 2
TRAPEZOIDDesign 3
SQUAREDesign 4
TILEDesign 5
FLORALDesign 6
CURVEDesign 7
PURE



Schlüter®-KERDI-DRAIN

Horizontal drain without odour trap

Point drainage in exterior spaces

Grate and frame set

- ① stainless steel grate with frame
- ② height adjustment ring

Floor drain

- ③ Schlüter-KERDI collar
- ④ bonding flange
- ⑤ U shaped component
- ⑥ Schlüter-TROBA-PLUS 8 drainage collar
- ⑦ stainless steel flange
- ⑧ drain body with sealing connection

Note:
Order floor drain set and grate/frame set separately.

Special notes on grates



All floor drain grates have a frame extension (except for KD R10 ED4) and height adjustment option. These grates have no odour trap. All grates include a dirt trapping screen, except for KD R10 ED4, KD R15 ED1 S, KD R15 ED1 SB and KD R15 ED1 SR.



Grate design



Design 1
CLASSIC



Design 1
CLASSIC
ROUND



Design 2
TRAPEZOID



Design 3
SQUARE



Design 4
TILE

DN 50

Floor drain



Art. No.

€/ U.

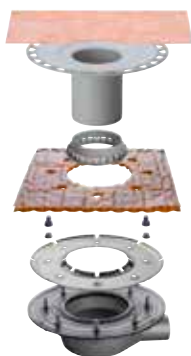
KD BH 50 B

115.76

+	Grate and frame set	L x B (cm)	Art. No.	€/ U.
	Design 1, stainless steel with screws	10 x 10	KD R10 ED1 S	65.15
	Design 1, stainless steel V4A with screws	10 x 10	KD R10 V4A D1 S	81.43
	Design 1, stainless steel	10 x 10	KD R10 ED1	65.15
	Design 1, stainless steel, bronze oil-rubbed finish, with screws	10 x 10	KD R10 EOB D1 S	92.53
	Design 1, stainless steel with screws	15 x 15	KD R15 ED1 S	88.84
	Design 1, stainless steel with screws (round)	15 x 15	KD R15 ED1 SR	88.84
	Design 2, brushed stainless steel	10 x 10	KD R10 ED2	118.47
	Design 3, brushed stainless steel	10 x 10	KD R10 ED3	118.47
	Design 4, covering support	10 x 10	KD R10 ED4	65.15

DN 50

Floor drain



Art. No.

€/ U.

KD BH 50 MSBB

226.02

+	Grate and frame set	L x B (cm)	Art. No.	€/ U.
	Design 1, stainless steel with screws	10 x 10	KD R10 ED1 S	65.15
	Design 1, stainless steel V4A with screws	10 x 10	KD R10 V4A D1 S	81.43
	Design 1, stainless steel	10 x 10	KD R10 ED1	65.15
	Design 1, stainless steel, bronze oil-rubbed finish, with screws	10 x 10	KD R10 EOB D1 S	92.53
	Design 1, stainless steel with screws	15 x 15	KD R15 ED1 S	88.84
	Design 1, stainless steel with screws (round)	15 x 15	KD R15 ED1 SR	88.84
	Design 2, brushed stainless steel	10 x 10	KD R10 ED2	118.47
	Design 3, brushed stainless steel	10 x 10	KD R10 ED3	118.47
	Design 4, covering support	10 x 10	KD R10 ED4	65.15

P = 10 units

Note: With sealing connection for bituminous and plastic membranes.



Schlüter®-KERDI-DRAIN

Vertical drain without odour trap

Point drainage in exterior spaces

Grate and frame set

- ① stainless steel grate with frame
- ② height adjustment ring

Floor drain

- ③ Schlüter-KERDI collar
- ④ bonding flange
- ⑤ drain body without odour trap

Note:
Order floor drain set and grate/frame set separately.

Special notes on grates



All floor drain grates have a frame extension (except for KD R10 ED4) and height adjustment option. These grates have no odour trap. All grates include a dirt trapping screen, except for KD R10 ED4, KD R15 ED1 S, KD R15 ED1 SB and KD R15 ED1 SR.

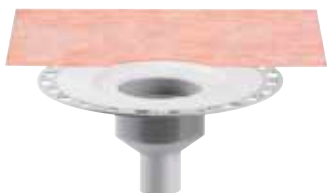


Grate design



DN 50

Floor drain



+	Grate and frame set	L x B (cm)	Art. No.	€ / U.
	Design 1, stainless steel with screws	10 x 10	KD R10 ED1 S	65.15
	Design 1, stainless steel V4A with screws	10 x 10	KD R10 V4A D1 S	81.43
	Design 1, stainless steel	10 x 10	KD R10 ED1	65.15
	Design 1, stainless steel, bronze oil-rubbed finish, with screws	10 x 10	KD R10 EOB D1 S	92.53
	Design 1, stainless steel with screws	15 x 15	KD R15 ED1 S	88.84
	Design 1, stainless steel with screws (round)	15 x 15	KD R15 ED1 SR	88.84
	Design 2, brushed stainless steel	10 x 10	KD R10 ED2	118.47
	Design 3, brushed stainless steel	10 x 10	KD R10 ED3	118.47
	Design 4, covering support	10 x 10	KD R10 ED4	65.15

Art. No.	€ / U.
KD BV 50	62.17

DN 70

Floor drain

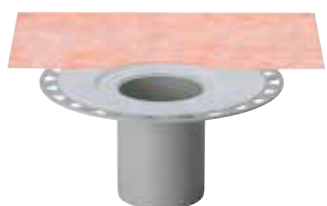


+	Grate and frame set	L x B (cm)	Art. No.	€ / U.
	Design 1, stainless steel with screws	10 x 10	KD R10 ED1 S	65.15
	Design 1, stainless steel V4A with screws	10 x 10	KD R10 V4A D1 S	81.43
	Design 1, stainless steel	10 x 10	KD R10 ED1	65.15
	Design 1, stainless steel, bronze oil-rubbed finish, with screws	10 x 10	KD R10 EOB D1 S	92.53
	Design 1, stainless steel with screws	15 x 15	KD R15 ED1 S	88.84
	Design 1, stainless steel with screws (round)	15 x 15	KD R15 ED1 SR	88.84
	Design 2, brushed stainless steel	10 x 10	KD R10 ED2	118.47
	Design 3, brushed stainless steel	10 x 10	KD R10 ED3	118.47
	Design 4, covering support	10 x 10	KD R10 ED4	65.15

Art. No.	€ / U.
KD BV 70	62.17

DN 100

Floor drain



+	Grate and frame set	L x B (cm)	Art. No.	€ / U.
	Design 1, stainless steel with screws	10 x 10	KD R10 ED1 S	65.15
	Design 1, stainless steel V4A with screws	10 x 10	KD R10 V4A D1 S	81.43
	Design 1, stainless steel	10 x 10	KD R10 ED1	65.15
	Design 1, stainless steel, bronze oil-rubbed finish, with screws	10 x 10	KD R10 EOB D1 S	92.53
	Design 1, stainless steel with screws	15 x 15	KD R15 ED1 S	88.84
	Design 1, stainless steel with screws (round)	15 x 15	KD R15 ED1 SR	88.84
	Design 2, brushed stainless steel	10 x 10	KD R10 ED2	118.47
	Design 3, brushed stainless steel	10 x 10	KD R10 ED3	118.47
	Design 4, covering support	10 x 10	KD R10 ED4	65.15

Art. No.	€ / U.
KD BV 100	62.17

P = 10 units




Schlüter®-KERDI-DRAIN

Vertical drain without odour trap

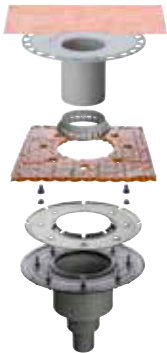
Point drainage in exterior spaces

DN 50

Floor drain	+	Grate and frame set	L x B (cm)	Art. No.	€ / U.
		Design 1, stainless steel with screws	10 x 10	KD R10 ED1 S	65.15
		Design 1, stainless steel V4A with screws	10 x 10	KD R10 V4A D1 S	81.43
		Design 1, stainless steel	10 x 10	KD R10 ED1	65.15
		Design 1, stainless steel, bronze oil-rubbed finish, with screws	10 x 10	KD R10 EOB D1 S	92.53
		Design 1, stainless steel with screws	15 x 15	KD R15 ED1 S	88.84
		Design 1, stainless steel with screws (round)	15 x 15	KD R15 ED1 SR	88.84
		Design 2, brushed stainless steel	10 x 10	KD R10 ED2	118.47
		Design 3, brushed stainless steel	10 x 10	KD R10 ED3	118.47
		Design 4, covering support	10 x 10	KD R10 ED4	65.15

Art. No.	€ / U.
KD BV 50 B	115.76

DN 50

Floor drain	+	Grate and frame set	L x B (cm)	Art. No.	€ / U.
		Design 1, stainless steel with screws	10 x 10	KD R10 ED1 S	65.15
		Design 1, stainless steel V4A with screws	10 x 10	KD R10 V4A D1 S	81.43
		Design 1, stainless steel	10 x 10	KD R10 ED1	65.15
		Design 1, stainless steel, bronze oil-rubbed finish, with screws	10 x 10	KD R10 EOB D1 S	92.53
		Design 1, stainless steel with screws	15 x 15	KD R15 ED1 S	88.84
		Design 1, stainless steel with screws (round)	15 x 15	KD R15 ED1 SR	88.84
		Design 2, brushed stainless steel	10 x 10	KD R10 ED2	118.47
		Design 3, brushed stainless steel	10 x 10	KD R10 ED3	118.47
		Design 4, covering support	10 x 10	KD R10 ED4	65.15

Art. No.	€ / U.
KD BV 50 MSBB	226.02

P = 10 units

Note: With sealing connection for bituminous and plastic membranes.

Grate design



Design 1
CLASSIC



Design 1
CLASSIC
ROUND



Design 2
TRAPEZOID



Design 3
SQUARE



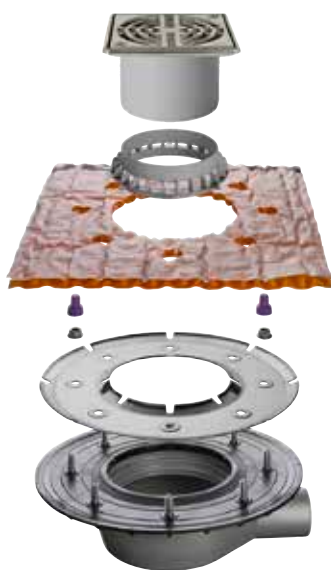
Design 4
TILE

Schlüter®-KERDI-DRAIN

Complete sets for loose installation in exterior spaces

Point drainage | horizontal drain

DN 50



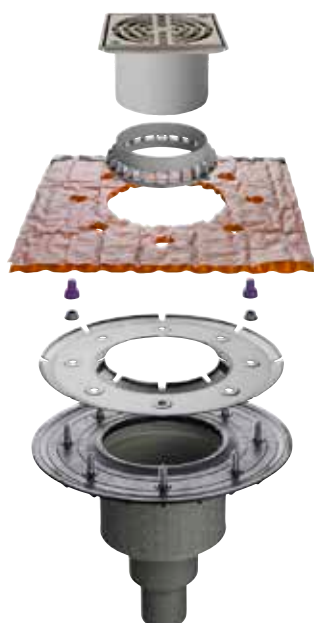
Set includes:

- Floor drain
- Sealing connection for bituminous and plastic membranes
- Insert for loose installation
- Grate, Design 1 (KD R15 ED1 S), stainless steel with screws

Art. No.	€ / U.
KD BH 50 ASLVB	261.89

Point drainage | vertical drain

DN 50



Set includes:

- Floor drain
- Sealing connection for bituminous and plastic membranes
- Insert for loose installation
- Grate, Design 1 (KD R15 ED1 S), stainless steel with screws

Art. No.	€ / U.
KD BV 50 ASLVB	261.89

P = 10 units



Odour seal

Schlüter®-KERDI-DRAIN-R 10 GT



Schlüter-KERDI-DRAIN-R 10 GT is a waterless odour trap for use with all 10 x 10 cm grate and frame sets. It can easily replace the wet trap in our linear drains, being intended for situations when infrequent use of the drain could result in the water in a wet trap evaporating. With a drain capacity of at least 0.4 l/s, it can also permanently replace the standard odour trap unit.

(Product data sheet 8.2)

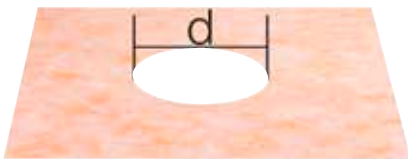
Schlüter®-KERDI-DRAIN-R 10 GT

waterless odour trap

Art. No.	€ / U.	P (Unit)
KD R10 GT	35.01	10

Waterproofing collar

Schlüter®-KERDI-DRAIN-KD 10



KD 10 M



KD 10 MO 900 1800

Schlüter®-KERDI-DRAIN-DR

KERDI collar (d = 17.5 cm)

L x B (cm)	Art. No.	€ / U.	P (Unit)
45 x 45	KD 10 M	6.91	10
90 x 90	KD 10 M 900	27.92	10
100 x 100	KD 10 M 1000	31.10	10
120 x 120	KD 10 M 1200	38.44	10
150 x 150	KD 10 M 1500	51.90	10

Schlüter®-KERDI-DRAIN-DR

KERDI collar, off centre drainage

L x B (cm)	Art. No.	€ / U.	P (Unit)
180 x 90	KD 10 MO 900 1800	47.74	10

Floor drain

Schlüter®-KERDI-DRAIN-BASE



Schlüter-KERDI-DRAIN-BASE is a drain body for combination with the insert KD BV 100 and a grate and frame set with odour trap and gasket seal.

(Product data sheet 8.2)

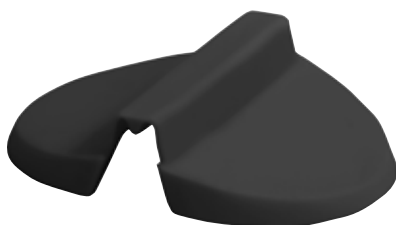
Schlüter®-KERDI-DRAIN-BASE

drain body

DN (mm)	Art. No.	€ / U.	P (Unit)
40	KD 10 BH 40/50	40.71	10

Odour seal

Schlüter®-KERDI-LINE-GTM



Schlüter-KERDI-LINE-GTM is a replacement odour seal for use with Schlüter-KERDI-DRAIN-R10 GT and Schlüter-KERDI-LINE-GTO.

(Product data sheet 8.7)

Schlüter®-KERDI-LINE-GTM

replacement odour seal

Art. No.	€ / U.	P (Unit)
KL GTM	17.49	10

Fire protection insert

Schlüter®-KERDI-DRAIN-BS



Schlüter-KERDI-DRAIN-BS is an approved fire protection insert, which prevents the spread of fire between floor levels in conjunction with the vertical floor drain set KD BAV 50 GVB.

(Product data sheet 8.2)

Schlüter®-KERDI-DRAIN-BS

fire protection insert

Art. No.	€ / U.	P (Unit)
KD BS	144.72	10

Fire protection insert

Schlüter®-KERDI-DRAIN-ZBS



Schlüter-KERDI-DRAIN-ZBS is a conduit gasket for fire protection. It is an alternative to mortar and serves, in conjunction with the vertical floor drain set KD BAV 50 GVB or the vertical stainless steel linear drainage KLV 50 G2, as a fire insulation seal of the core hole drilling (Ø 160 mm), while also preventing sound bridges. The product is only approved for fire protection in conjunction with KD BS or KL BS.

(Product data sheet 8.2)

Schlüter®-KERDI-DRAIN-ZBS

conduit gasket with fire protection function

Art. No.	€ / U.	P (Unit)
KD ZBS	172.48	10

Dirt trapping screen

Schlüter®-KERDI-DRAIN-KD 10 SF



Schlüter-KERDI-DRAIN-KD 10 SF is a dirt trapping screen that simplifies the regular cleaning of floor drains.

(Product data sheet 8.2)

Schlüter®-KERDI-DRAIN-KD 10 SF

spare part: dirt trapping screen

Art. No.	€ / U.	P (Unit)
KD 10 SF	12.62	10



Grate for retrofit

Schlüter®-KERDI-DRAIN-R/-RL

Schlüter-KERDI-DRAIN-R/-RL are renovation grates that can be installed into the tile covering above existing floor drains in building renovation projects.

(Product data sheet 8.2)

Schlüter®-KERDI-DRAIN-R

grate for retrofit 15 x 15 cm

Art. No.	€ / U.	P (Unit)
KD 15 R	98.62	10

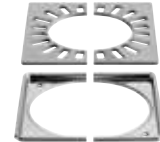


Drain grate for installation over existing floor drains in renovation projects.

Schlüter®-KERDI-DRAIN-RL

grate for retrofit, with centre hole, 15 x 15 cm

Art. No.	€ / U.	P (Unit)
KD 15 RL	98.62	10



Drain grate for retrofit installation to existing floor drains, which need to be connected to a continuous drain pipe.

Drainage grate (without frame)

Schlüter®-KERDI-DRAIN

Grates without frame for replacement in existing installations.

(Product data sheet 8.2)

Schlüter®-KERDI-DRAIN grates

spare part: individual grates for standard frames

L x B (cm)	Art. No.	€ / U.	P (Unit)
10 x 10	KD GR 10 E D1 S	42.94	10
10 x 10	KD GR 10 V4A D1 S	59.21	10
10 x 10	KD GR 10 EP D1 S	47.45	10
10 x 10	KD GR 10 E D1	42.94	10
10 x 10	KD GR 10 E D2	96.26	10
10 x 10	KD GR 10 E D3	96.26	10
10 x 10	KD GR 10 E D4	42.94	10
15 x 15	KD GR 15 E D1 S	66.64	10
15 x 15	KD GR 15 E D1 SR	66.64	10

Schlüter®-KERDI-DRAIN-STYLE grates

spare part: individual grates for contour frames

L x B (cm)	Art. No.	€ / U.	P (Unit)
10 x 10	KD GIF 10 EB D5	96.57	10
10 x 10	KD GIF 10 EB D6	96.57	10
10 x 10	KD GIF 10 EB D7	99.16	10

Note:

Covers are only interchangeable within the corresponding frame design.

L x B = cm corresponds to frame size



KD GR 10 E D1 S
CLASSIC



KD GR 10 V4A D1 S
CLASSIC



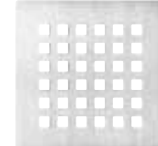
KD GR 10 EP D1 S
CLASSIC



KD GR 10 E D1
CLASSIC



KD GR 10 E D2
TRAPEZOID



KD GR 10 E D3
SQUARE



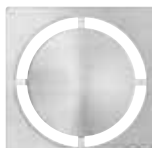
KD GR 10 E D4
TILE



KD GIF 10 EB D5
FLORAL



KD GIF 10 EB D6
CURVE



KD GIF 10 EB D7
PURE



KD GR 15 E D1 S
CLASSIC



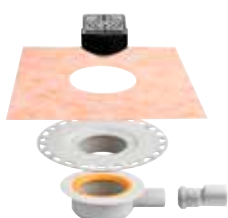
KD GR 15 E D1 SR
CLASSIC ROUND

Point drainage set, interior

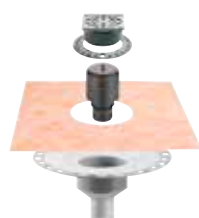
Schlüter®-KERDI-DRAIN sets



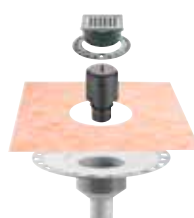
Schlüter-KERDI-DRAIN sets are complete sets for installing floor drain systems with reliable connections to bonded waterproofing assemblies with Schlüter-KERDI or other bonded waterproofing systems in interior areas. They are available in 3 variants. (Product data sheet 8.2)



KD 10H 40 GV ED1 S



KD 10V 50 GV ED1 S



KD 10V 50 GV ED3

Schlüter®-KERDI-DRAIN set

drainage set with horizontal drain

Art. No.	€ / Set	PL (Set)
KD 10 H40 GV ED1 S	140.06	10

drainage set with vertical drain

Art. No.	€ / Set	PL (Set)
KD 10 V50 GV ED1 S	138.06	10
KD 10 V50 GV ED3	180.08	10

KD 10 H40 GV ED1 S contains:

- horizontal connection floor drain Schlüter-KERDI-DRAIN-BASE DN 40/50 (drain capacity 0.4 l/s), min. assembly height: 75 (70) mm
- grate and frame combination with stainless steel CLASSIC design grate with screws, size 10 x 10 cm
- grate with odour trap and lip seal

**KD 10 V50 GV ED1 S contains:**

- vertical connection floor drain Schlüter-KERDI-DRAIN DN 50 (drain capacity 0.6 l/s)
- integrated odour trap
- grate and frame combination with stainless steel CLASSIC design grate with screws, size 10 x 10 cm
- incl. grate extension, height adjustment and dirt trap

**KD 10 V50 GV ED3 contains:**

- vertical connection floor drain Schlüter-KERDI-DRAIN DN 50 (drain capacity 0.6 l/s)
- integrated odour trap
- grate and frame combination with brushed stainless steel SQUARE design grate, size 10 x 10 cm
- incl. grate extension, height adjustment and dirt trap





Point drainage set, interior

Schlüter®-KERDI-SHOWER-SK/-SKB



Schlüter-KERDI-SHOWER-SK is a waterproofing set for floor-level showers. It includes Schlüter-KERDI for waterproofing the wall areas of showers as well as the corresponding prefabricated parts for internal corners and pipe sleeves. The set also includes Schlüter-KERDI-KEBA sealing band for waterproofing the abutting joints of the membranes and floor-wall transitions and Schlüter-KERDI-COLL sealing adhesive for waterproofing the sealing band and prefabricated parts. The waterproofing set Schlüter-KERDI-SHOWER-SKB also comes with a Schlüter-KERDI-DRAIN-BASE floor drain. Schlüter-KERDI-SHOWER-SK is suitable for conventional floor-level showers and for combination with the floor components Schlüter-KERDI-SHOWER-LT, -LTS, -T, -TS, and -TT. (Product data sheet 8.6)

Schlüter®-KERDI-SHOWER-SK

waterproofing set

L x B (cm)	Art. No.	€ / Set	PL (Set)
90 x 90 / 100 x 100	KSS 5	210.98	9
120 x 120 / 150 x 150	KSS 10	368.01	9

Schlüter-KERDI-SHOWER-SK (KSS 5) contains:

- 1 x Schlüter-KERDI 200, 1 m x 5 m
- 2 x Schlüter-KERDI-KERECK-F/I
- 1 x Schlüter-KERDI-KEBA, 12.5 cm x 10 m
- 1 x Schlüter-KERDI-COLL-L, 1.85 kg
- 2 x Schlüter-KERDI-KM, Ø 150 mm

Schlüter-KERDI-SHOWER-SK (KSS 10) contains:

- 1 x Schlüter-KERDI 200, 1 m x 10 m
- 2 x Schlüter-KERDI-KERECK-F/I
- 1 x Schlüter-KERDI-KEBA, 12.5 cm x 12.5 m
- 1 x Schlüter-KERDI-COLL-L, 4.25 kg
- 2 x Schlüter-KERDI-KM, Ø 150 mm

Schlüter®-KERDI-SHOWER-SKB

waterproofing set with floor drain

L x B (cm)	Art. No.	€ / Set	PL (Set)
90 x 90 / 100 x 100	KSS 5 KD10 EH 40	359.04	9
120 x 120 / 150 x 150	KSS 10 KD10 EH 40	517.46	9

Schlüter-KERDI-SHOWER-SKB (KSS 5 KD10 EH 40) contains:

- 1 x Schlüter-KERDI 200, 1 m x 5 m
- 2 x Schlüter-KERDI-KERECK-F/I
- 1 x Schlüter-KERDI-KEBA, 12.5 cm x 10 m
- 1 x Schlüter-KERDI-COLL-L, 1.85 kg
- 2 x Schlüter-KERDI-KM, Ø 150 mm
- 1 x Schlüter-KERDI-DRAIN-BASE set, consisting of:
floor drain set "KD BH 40" and grate and frame set "KD R10 ED1 SGV"

Schlüter-KERDI-SHOWER-SKB (KSS 10 KD10 EH 40) contains:

- 1 x Schlüter-KERDI 200, 1 m x 10 m
- 2 x Schlüter-KERDI-KERECK-F/I
- 1 x Schlüter-KERDI-KEBA, 12.5 cm x 12.5 m
- 1 x Schlüter-KERDI-COLL-L, 4.25 kg
- 2 x Schlüter-KERDI-KM, Ø 150 mm
- 1 x Schlüter-KERDI-DRAIN-BASE set, consisting of:
floor drain set "KD BH 40" and grate and frame set "KD R10 ED1 SGV"

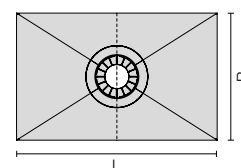
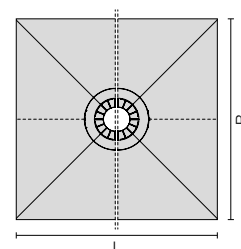
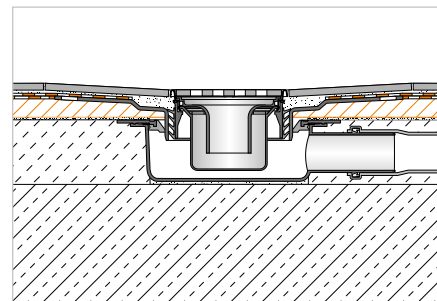
Sloped tray

Schlüter®-KERDI-SHOWER-T



Schlüter-KERDI-SHOWER-T is a sloped tray made of compression-resistant polystyrene with pre-adhered Schlüter-KERDI waterproofing. In showers, it creates a sufficient slope to a centre-installed point drain. It is designed to accommodate the floor drains Schlüter-KERDI-DRAIN. The sloped tray is installed on a level, flat, load bearing substrate and fitted to a prepared KERDI-DRAIN drain. Where necessary the trays can be cut to size with a utility knife, using the pre-marked cutting grooves on the underside of the tray, taking care to maintain a uniform gradient on all sides.

(Product data sheet 8.6)



Schlüter®-KERDI-SHOWER-T

sloped tray for centre drainage

L x B (cm)	H (mm)	Slope (%)	Art. No.	€ / U.	P (Unit)
152 x 152	30	2	KST 1525	262.90	10
183 x 183	32	2	KST 1830	281.68	10
152 x 96	29	2	KST 965 / 1525	212.82	10
152 x 122	28	2	KST 1220 / 1525	219.09	10
183 x 122	32	2	KST 1220 / 1830	237.86	10

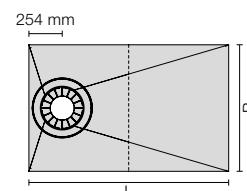
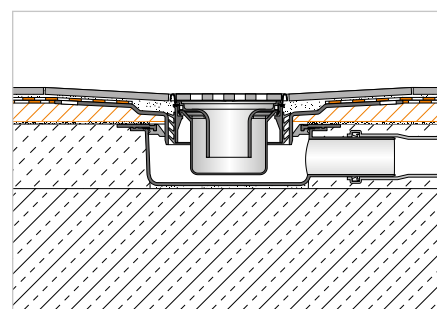
Sloped tray

Schlüter®-KERDI-SHOWER-TS



Schlüter-KERDI-SHOWER-TS is a sloped tray made of compression-resistant polystyrene with pre-adhered Schlüter-KERDI waterproofing. In showers, it creates a sufficient slope to an off-centre point drain. It is designed to accommodate the floor drains Schlüter-KERDI-DRAIN. The sloped tray is installed on a level, flat, load bearing substrate and fitted to a prepared KERDI-DRAIN drain. Where necessary the trays can be cut to size with a utility knife, using the pre-marked cutting grooves on the underside of the tray, taking care to maintain a uniform gradient on all sides.

(Product data sheet 8.6)



Schlüter®-KERDI-SHOWER-TS

sloped tray for off-centre drainage

L x B (cm)	H (mm)	Slope (%)	Art. No.	€ / U.	P (Unit)
152 x 96	28	1	KST 965 / 1525 S	194.05	10



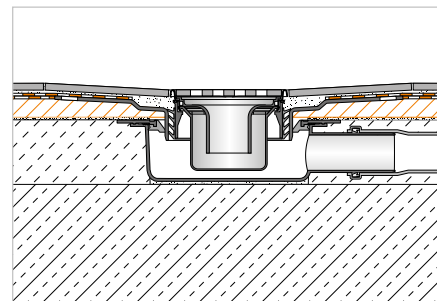
Sloped tray

Schlüter®-KERDI-SHOWER-TT



Schlüter-KERDI-SHOWER-TT is a sloped tray made of compression-resistant polystyrene with pre-adhered Schlüter-KERDI waterproofing. In showers, it creates a sufficient slope to a centre-installed or off-centre point drain. It is designed to accommodate the floor drains Schlüter-KERDI-DRAIN. The sloped tray is installed on a level, flat, load bearing substrate and fitted to a prepared KERDI-DRAIN drain. Where necessary the trays can be cut to size with a utility knife, using the pre-marked cutting grooves on the underside of the tray, taking care to maintain a uniform gradient on all sides.

(Product data sheet 8.6)



Schlüter®-KERDI-SHOWER-TT

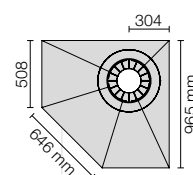
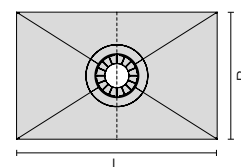
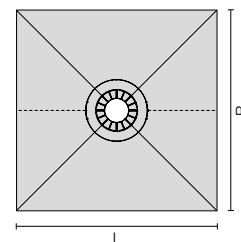
sloped tray for centre drainage

L x B (cm)	H (mm)	Slope (%)	Art. No.	€ / U.	P (Unit)
91 x 91	22	2	KST 915 BF	137.71	10
101 x 101	23	2	KST 1015 BF	150.22	10
122 x 122	25	2	KST 1220 BF	194.05	10
96 x 81	23	2	KST 965 / 810 BF	219.09	10
122 x 91	25	2	KST 915 / 1220 BF	231.61	10

Schlüter®-KERDI-SHOWER-TT

sloped tray for off-centre drainage

L x B (cm)	H (mm)	Slope (%)	Art. No.	€ / U.	P (Unit)
96 x 96	26	2	KST 965 NA / BF	219.09	10

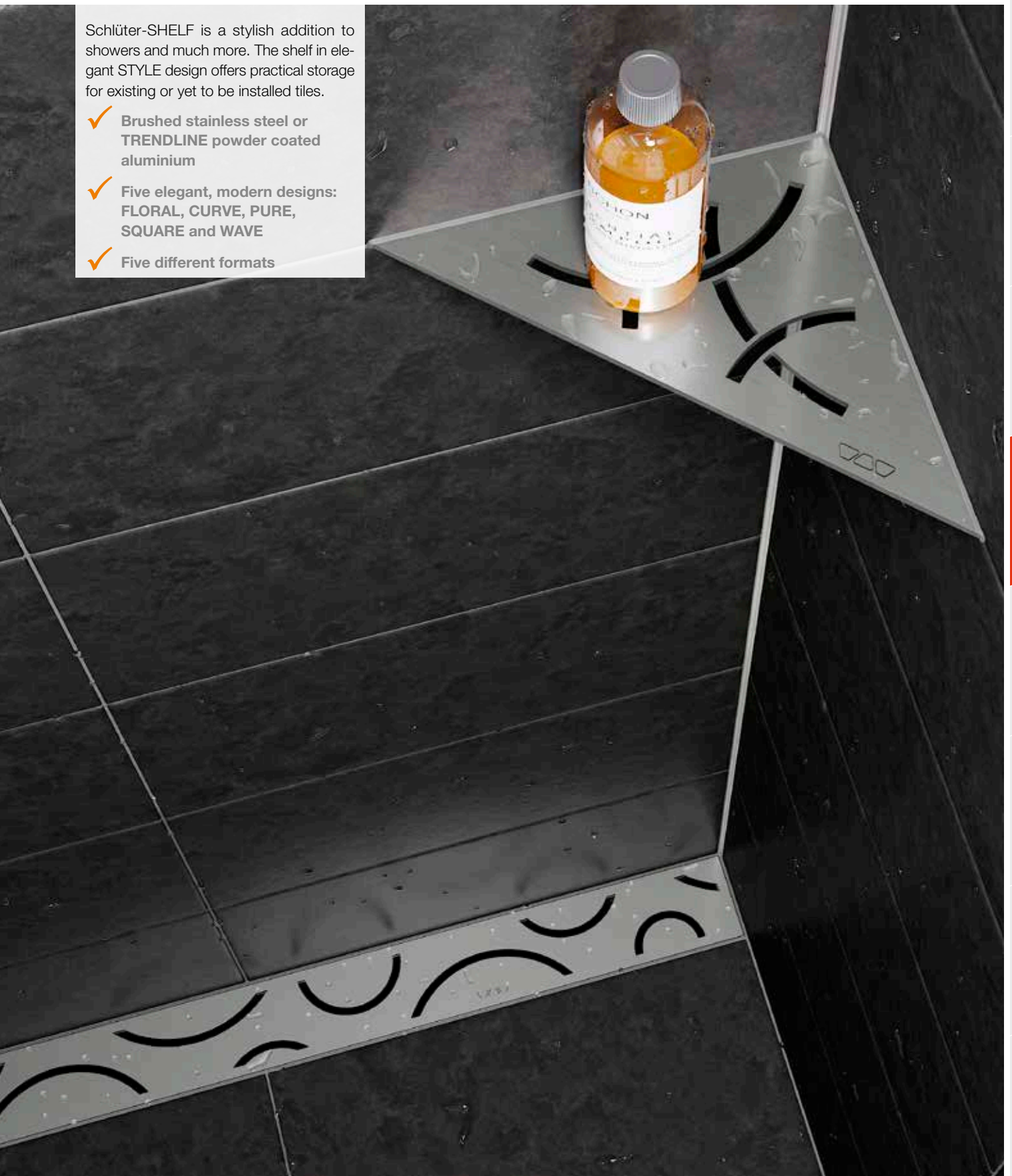


Schlüter®-SHELF

Attractive, stable and quick to install

Schlüter-SHELF is a stylish addition to showers and much more. The shelf in elegant STYLE design offers practical storage for existing or yet to be installed tiles.

- ✓ **Brushed stainless steel or TRENDLINE powder coated aluminium**
- ✓ **Five elegant, modern designs: FLORAL, CURVE, PURE, SQUARE and WAVE**
- ✓ **Five different formats**



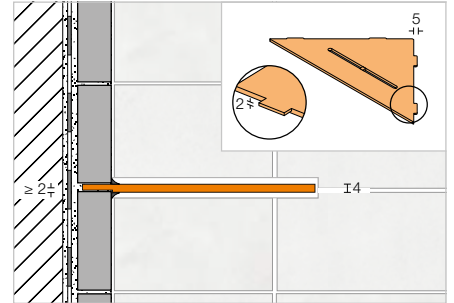


Shelf

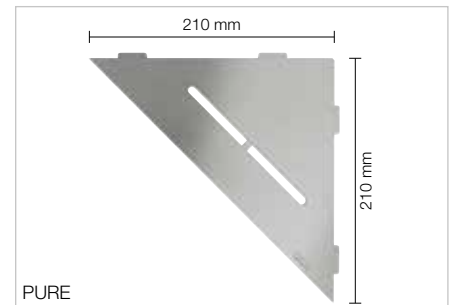
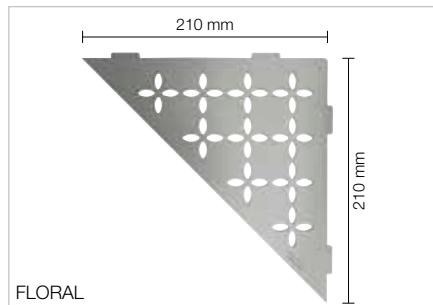
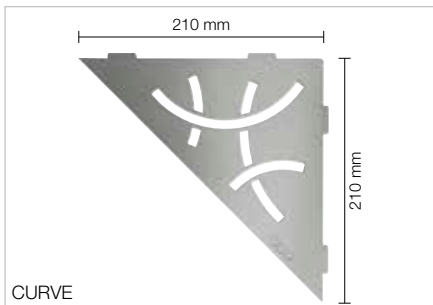
Schlüter®-SHELF-E-S1



Schlüter-SHELF-E-S1 are triangular shelves for installation in corners. They are available in the design variants FLORAL, CURVE, PURE, SQUARE and WAVE in the finish choices brushed stainless steel or TRENDLINE powder coated aluminium. The shelves can be integrated into the tile assembly during tile installation or retrofitted into the joints of tiled walls, using the 2 mm attachment tabs. SHELF-E-S1 are suitable as shelves in shower areas, but can also be integrated into other tiled areas such as tiled kitchen walls. (Product data sheet 17.1)



i
Also suitable for retrofit installation



Schlüter®-SHELF-E-S1-EB

shelf, CURVE design,
brushed stainless steel

Art. No.	€ / U.	P (Unit)
SE S1 D6 EB	104.22	10

Schlüter®-SHELF-E-S1-EB

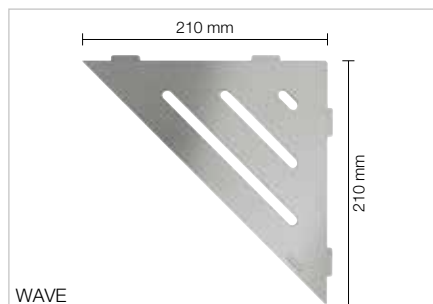
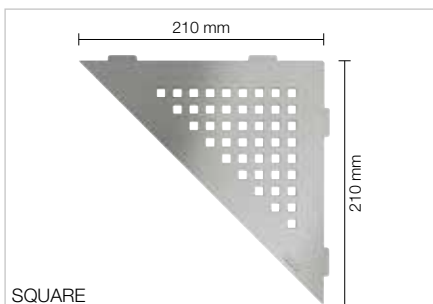
shelf, FLORAL design,
brushed stainless steel

Art. No.	€ / U.	P (Unit)
SE S1 D5 EB	110.73	10

Schlüter®-SHELF-E-S1-EB

shelf, PURE design,
brushed stainless steel

Art. No.	€ / U.	P (Unit)
SE S1 D7 EB	109.37	10



Schlüter®-SHELF-E-S1-EB

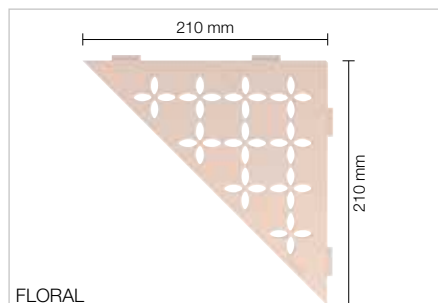
shelf, SQUARE design,
brushed stainless steel

Art. No.	€ / U.	P (Unit)
SE S1 D3 EB	109.37	10

Schlüter®-SHELF-E-S1-EB

shelf, WAVE design,
brushed stainless steel

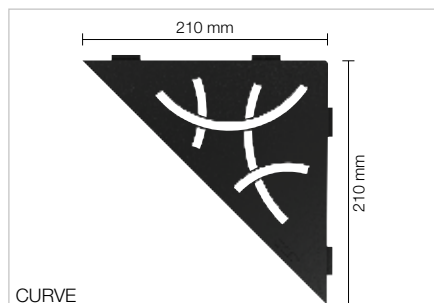
Art. No.	€ / U.	P (Unit)
SE S1 D10 EB	109.37	10



FLORAL

Schlüter®-SHELF-E-S1-ACshelf, FLORAL design,
colour coated aluminium

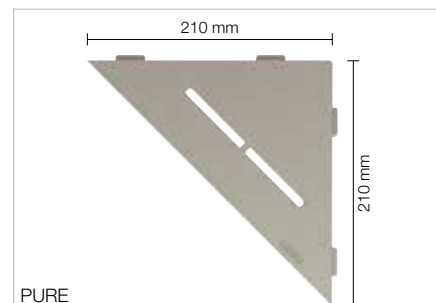
Art. No.	€ / U.	P (Unit)
SE S1 D5 ...*	81.12	10



CURVE

Schlüter®-SHELF-E-S1-ACshelf, CURVE design,
colour coated aluminium

Art. No.	€ / U.	P (Unit)
SE S1 D6 ...*	74.79	10



PURE

Schlüter®-SHELF-E-S1-ACshelf, PURE design,
colour coated aluminium

Art. No.	€ / U.	P (Unit)
SE S1 D7 ...*	83.25	10

Schlüter®-SHELF-E-S1-TSshelf, FLORAL design,
textured aluminium

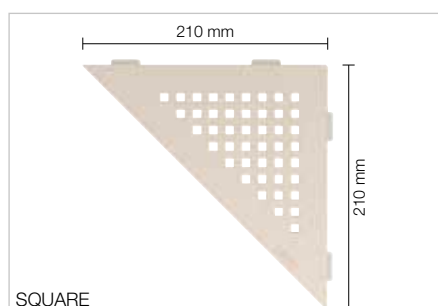
Art. No.	€ / U.	P (Unit)
SE S1 D5 ...**	88.73	10

Schlüter®-SHELF-E-S1-TSshelf, CURVE design,
textured aluminium

Art. No.	€ / U.	P (Unit)
SE S1 D6 ...**	82.38	10

Schlüter®-SHELF-E-S1-TSshelf, PURE design,
textured aluminium

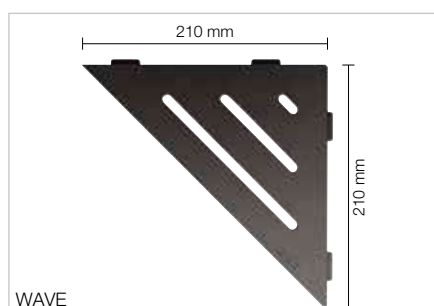
Art. No.	€ / U.	P (Unit)
SE S1 D7 ...**	89.51	10



SQUARE

Schlüter®-SHELF-E-S1-ACshelf, SQUARE design,
colour coated aluminium

Art. No.	€ / U.	P (Unit)
SE S1 D3 ...*	83.25	10



WAVE

Schlüter®-SHELF-E-S1-ACshelf, WAVE design,
colour coated aluminium

Art. No.	€ / U.	P (Unit)
SE S1 D10 ...*	83.25	10

Schlüter®-SHELF-E-S1-TSshelf, SQUARE design,
textured aluminium

Art. No.	€ / U.	P (Unit)
SE S1 D3 ...**	89.51	10

Schlüter®-SHELF-E-S1-TSshelf, WAVE design,
textured aluminium

Art. No.	€ / U.	P (Unit)
SE S1 D10 ...**	89.51	10

To complete the art. no., add the finish/colour
(e.g. SE S1 D10 TSC)

* Finishes/colours: MBW - MGS

** Finishes/colours:

TSBG - TSC - TSDA - TSI - TSOB - TSSG

Available finishes | colours



For an overview of finishes and colours, please see page 342.

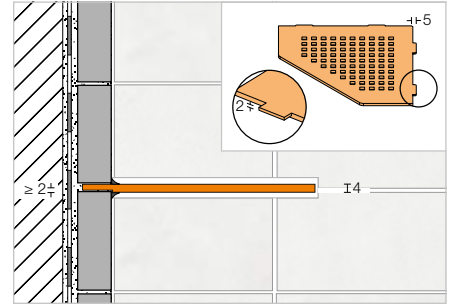


Shelf

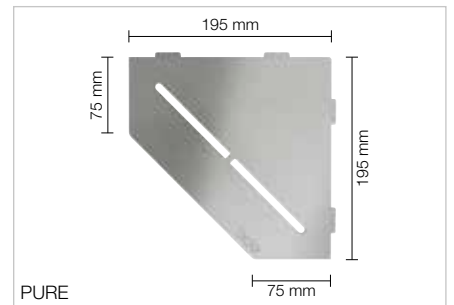
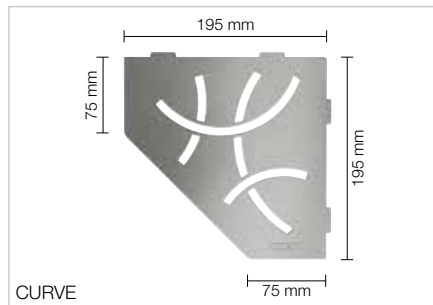
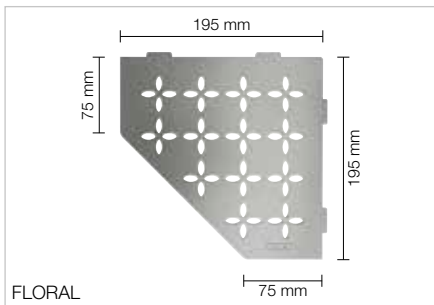
Schlüter®-SHELF-E-S2



Schlüter-SHELF-E-S2 are pentagonal shelves for installation in corners. They are available in the design variants FLORAL, CURVE, PURE, SQUARE and WAVE in the finish choices brushed stainless steel or TRENDLINE powder coated aluminium. The shelves can be integrated into the tile assembly during tile installation or retrofitted into the joints of tiled walls, using the 2 mm attachment tabs. SHELF-E-S2 are suitable as shelves in shower areas, but can also be integrated into other tiled areas such as tiled kitchen walls. (Product data sheet 17.1)



i
Also suitable for retrofit installation



Schlüter®-SHELF-E-S2-EB

shelf, FLORAL design,
brushed stainless steel

Art. No.	€ / U.	P (Unit)
SE S2 D5 EB	117.25	10

Schlüter®-SHELF-E-S2-EB

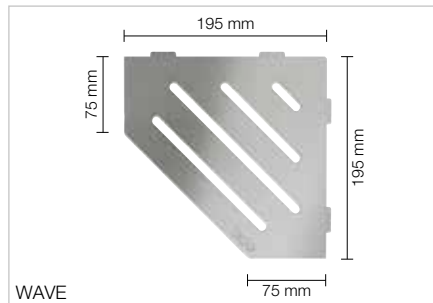
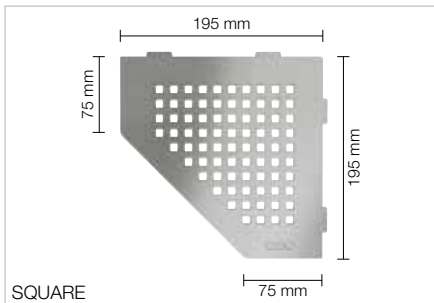
shelf, CURVE design,
brushed stainless steel

Art. No.	€ / U.	P (Unit)
SE S2 D6 EB	110.73	10

Schlüter®-SHELF-E-S2-EB

shelf, PURE design,
brushed stainless steel

Art. No.	€ / U.	P (Unit)
SE S2 D7 EB	115.79	10



Schlüter®-SHELF-E-S2-EB

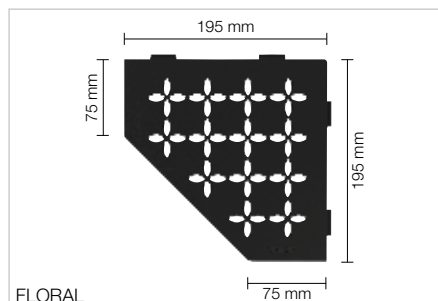
shelf, SQUARE design,
brushed stainless steel

Art. No.	€ / U.	P (Unit)
SE S2 D3 EB	115.79	10

Schlüter®-SHELF-E-S2-EB

shelf, WAVE design,
brushed stainless steel

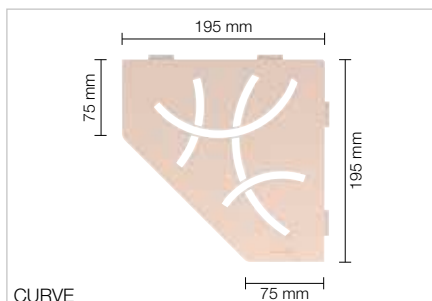
Art. No.	€ / U.	P (Unit)
SE S2 D10 EB	115.79	10



FLORAL

Schlüter®-SHELF-E-S2-ACshelf, FLORAL design,
colour coated aluminium

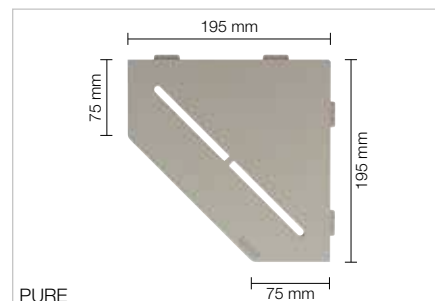
Art. No.	€ / U.	P (Unit)
SE S2 D5 ...*	84.29	10



CURVE

Schlüter®-SHELF-E-S2-ACshelf, CURVE design,
colour coated aluminium

Art. No.	€ / U.	P (Unit)
SE S2 D6 ...*	79.22	10



PURE

Schlüter®-SHELF-E-S2-ACshelf, PURE design,
colour coated aluminium

Art. No.	€ / U.	P (Unit)
SE S2 D7 ...*	84.51	10

Schlüter®-SHELF-E-S2-TSshelf, FLORAL design,
textured aluminium

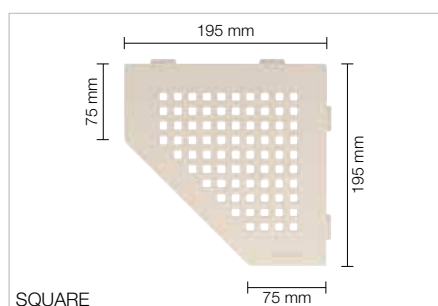
Art. No.	€ / U.	P (Unit)
SE S2 D5 ...**	91.90	10

Schlüter®-SHELF-E-S2-TSshelf, CURVE design,
textured aluminium

Art. No.	€ / U.	P (Unit)
SE S2 D6 ...**	86.84	10

Schlüter®-SHELF-E-S2-TSshelf, PURE design,
textured aluminium

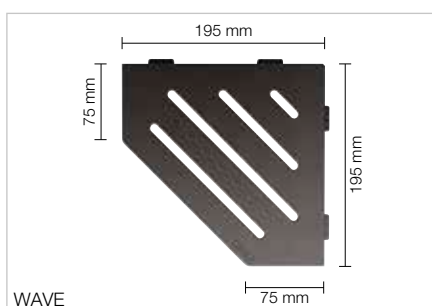
Art. No.	€ / U.	P (Unit)
SE S2 D7 ...**	92.01	10



SQUARE

Schlüter®-SHELF-E-S2-ACshelf, SQUARE design,
colour coated aluminium

Art. No.	€ / U.	P (Unit)
SE S2 D3 ...*	84.51	10



WAVE

Schlüter®-SHELF-E-S2-ACshelf, WAVE design,
colour coated aluminium

Art. No.	€ / U.	P (Unit)
SE S2 D10 ...*	84.51	10

Schlüter®-SHELF-E-S2-TSshelf, SQUARE design,
textured aluminium

Art. No.	€ / U.	P (Unit)
SE S2 D3 ...**	92.01	10

Schlüter®-SHELF-E-S2-TSshelf, WAVE design,
textured aluminium

Art. No.	€ / U.	P (Unit)
SE S2 D10 ...**	92.01	10

MyDesign by Schlüter-Systems
Custom coating in 190 RAL Classic colours
available. More details from page 16.

To complete the art. no., add the finish/colour
(e.g. SE S2 D10 TSC)

* Finishes/colours: MBW - MGS

** Finishes/colours:

TSBG - TSC - TSDA - TSI - TSOB - TSSG

Available finishes | colours



For an overview of finishes and colours, please see page 342.

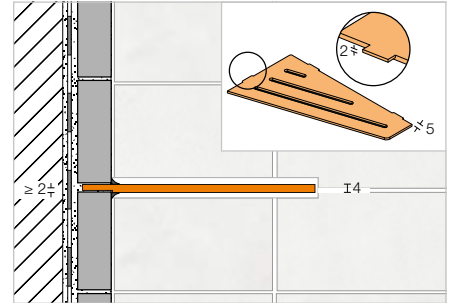


Shelf

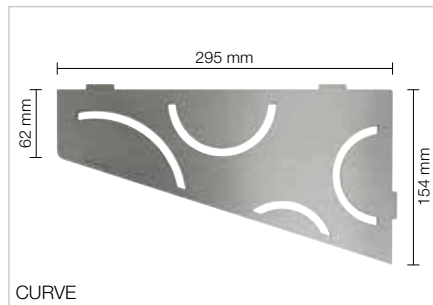
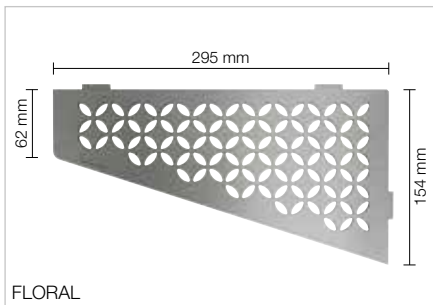
Schlüter®-SHELF-E-S3



Schlüter-SHELF-E-S3 are quadrangular shelves with asymmetrical side lengths for installation in corners. They are available in the design variants FLORAL, CURVE, PURE, SQUARE and WAVE in the finish choices brushed stainless steel or TRENDLINE powder coated aluminium. The shelves can be integrated into the tile assembly during tile installation or retrofitted into the joints of tiled walls, using the 2 mm attachment tabs. SHELF-E-S3 are suitable as shelves in shower areas, but can also be integrated into other tiled areas such as tiled kitchen walls. (Product data sheet 17.1)



i
Also suitable for retrofit installation



Schlüter®-SHELF-E-S3-EB

shelf, FLORAL design,
brushed stainless steel

Art. No.	€ / U.	P (Unit)
SE S3 D5 EB	123.77	10

Schlüter®-SHELF-E-S3-EB

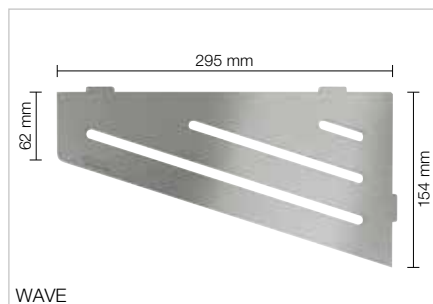
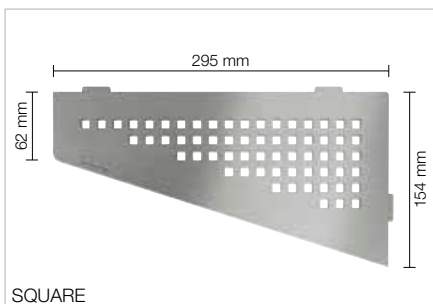
shelf, CURVE design,
brushed stainless steel

Art. No.	€ / U.	P (Unit)
SE S3 D6 EB	117.25	10

Schlüter®-SHELF-E-S3-EB

shelf, PURE design,
brushed stainless steel

Art. No.	€ / U.	P (Unit)
SE S3 D7 EB	122.23	10



Schlüter®-SHELF-E-S3-EB

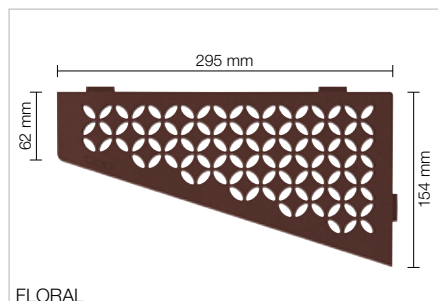
shelf, SQUARE design,
brushed stainless steel

Art. No.	€ / U.	P (Unit)
SE S3 D3 EB	122.23	10

Schlüter®-SHELF-E-S3-EB

shelf, WAVE design,
brushed stainless steel

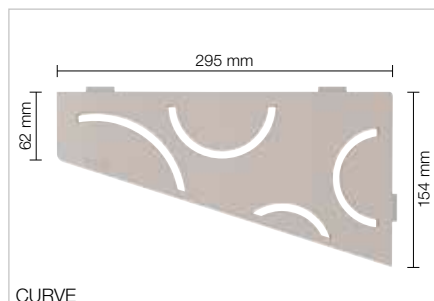
Art. No.	€ / U.	P (Unit)
SE S3 D10 EB	122.23	10



FLORAL

Schlüter®-SHELF-E-S3-ACshelf, FLORAL design,
colour coated aluminium

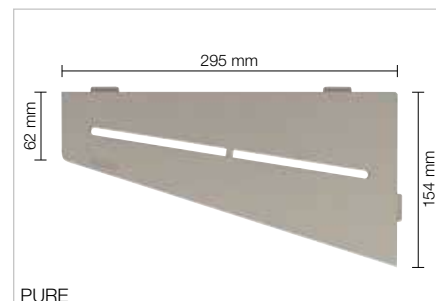
Art. No.	€ / U.	P (Unit)
SE S3 D5 ...*	87.46	10



CURVE

Schlüter®-SHELF-E-S3-ACshelf, CURVE design,
colour coated aluminium

Art. No.	€ / U.	P (Unit)
SE S3 D6 ...*	81.12	10



PURE

Schlüter®-SHELF-E-S3-ACshelf, PURE design,
colour coated aluminium

Art. No.	€ / U.	P (Unit)
SE S3 D7 ...*	87.64	10

Schlüter®-SHELF-E-S3-TSshelf, FLORAL design,
textured aluminium

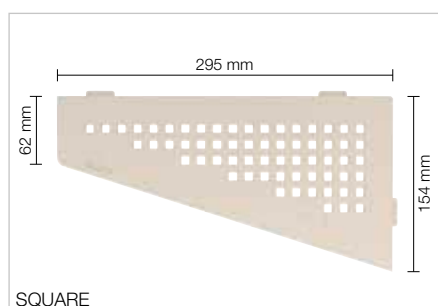
Art. No.	€ / U.	P (Unit)
SE S3 D5 ...**	95.07	10

Schlüter®-SHELF-E-S3-TSshelf, CURVE design,
textured aluminium

Art. No.	€ / U.	P (Unit)
SE S3 D6 ...**	88.73	10

Schlüter®-SHELF-E-S3-TSshelf, PURE design,
textured aluminium

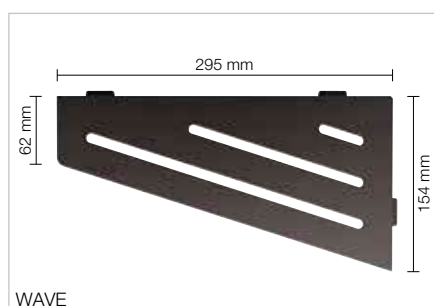
Art. No.	€ / U.	P (Unit)
SE S3 D7 ...**	93.90	10



SQUARE

Schlüter®-SHELF-E-S3-ACshelf, SQUARE design,
colour coated aluminium

Art. No.	€ / U.	P (Unit)
SE S3 D3 ...*	87.64	10



WAVE

Schlüter®-SHELF-E-S3-ACshelf, WAVE design,
colour coated aluminium

Art. No.	€ / U.	P (Unit)
SE S3 D10 ...*	87.64	10

Schlüter®-SHELF-E-S3-TSshelf, SQUARE design,
textured aluminium

Art. No.	€ / U.	P (Unit)
SE S3 D3 ...**	93.90	10

Schlüter®-SHELF-E-S3-TSshelf, WAVE design,
textured aluminium

Art. No.	€ / U.	P (Unit)
SE S3 D10 ...**	93.90	10

To complete the art. no., add the finish/colour
(e.g. SE S3 D10 TSC)

* Finishes/colours: MBW - MGS

** Finishes/colours:

TSBG - TSC - TSDA - TSI - TSOB - TSSG

Available finishes | colours



For an overview of finishes and colours, please see page 342.



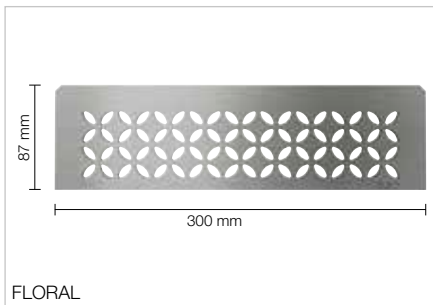
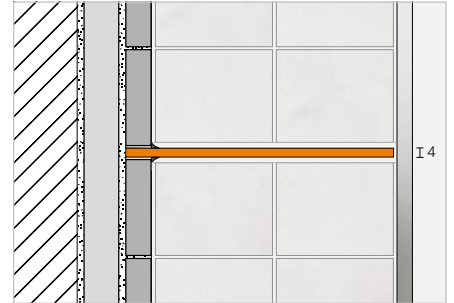
Shelf

Schlüter®-SHELF-N

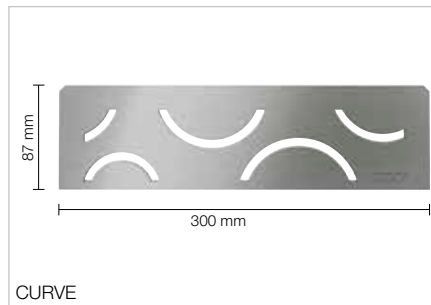


Schlüter-SHELF-N are rectangular shelves for use in prefabricated Schlüter-KERDI-BOARD-N niches. They are available in the design variants FLORAL, CURVE, PURE, SQUARE and WAVE, in the finish choices brushed stainless steel or TRENDLINE powder coated aluminium. They are precisely fitted as a shelf in KERDI-BOARD niches during tile installation.

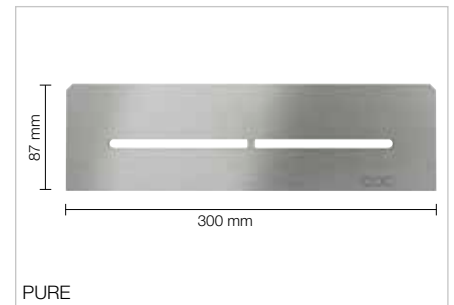
(Product data sheet 17.1)



FLORAL



CURVE



PURE

Schlüter®-SHELF-N-S1-EB

shelf, FLORAL design, brushed stainless steel

Art. No.	€ / U.	P (Unit)
SN S1 D5 EB	115.30	10

Schlüter®-SHELF-N-S1-EB

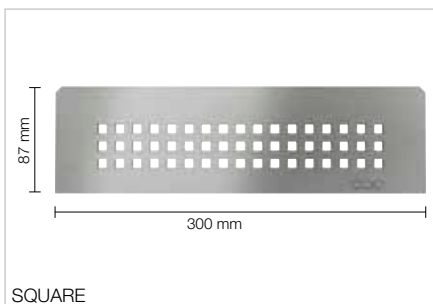
shelf, CURVE design, brushed stainless steel

Art. No.	€ / U.	P (Unit)
SN S1 D6 EB	107.47	10

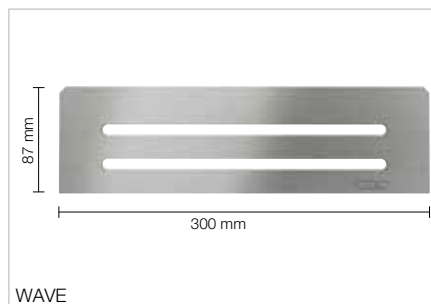
Schlüter®-SHELF-N-S1-EB

shelf, PURE design, brushed stainless steel

Art. No.	€ / U.	P (Unit)
SN S1 D7 EB	115.79	10



SQUARE



WAVE

Schlüter®-SHELF-N-S1-EB

shelf, SQUARE design, brushed stainless steel

Art. No.	€ / U.	P (Unit)
SN S1 D3 EB	115.79	10

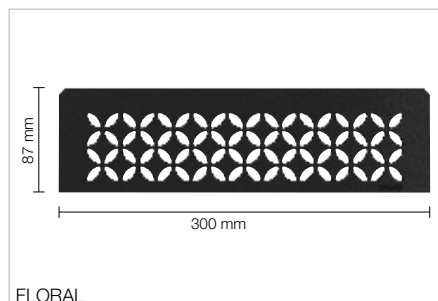
Schlüter®-SHELF-N-S1-EB

shelf, WAVE design, brushed stainless steel

Art. No.	€ / U.	P (Unit)
SN S1 D10 EB	115.79	10

Note:

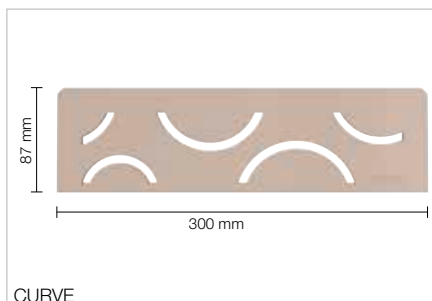
You can find more information about Schlüter-KERDI-BOARD-N niches on page 278–283.



FLORAL

Schlüter®-SHELF-N-S1-ACshelf, FLORAL design,
colour coated aluminium

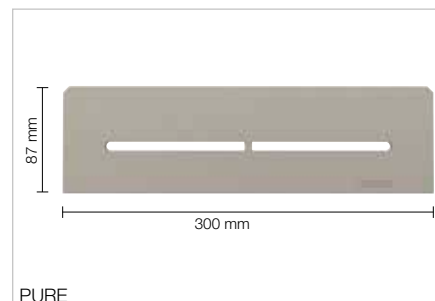
Art. No.	€ / U.	P (Unit)
SN S1 D5 ...*	81.12	10



CURVE

Schlüter®-SHELF-N-S1-ACshelf, CURVE design,
colour coated aluminium

Art. No.	€ / U.	P (Unit)
SN S1 D6 ...*	69.72	10



PURE

Schlüter®-SHELF-N-S1-ACshelf, PURE design,
colour coated aluminium

Art. No.	€ / U.	P (Unit)
SN S1 D7 ...*	83.25	10

Schlüter®-SHELF-N-S1-TSshelf, FLORAL design,
textured aluminium

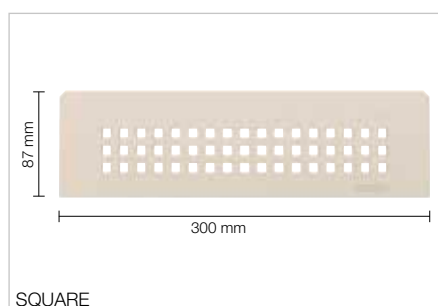
Art. No.	€ / U.	P (Unit)
SN S1 D5 ...**	88.73	10

Schlüter®-SHELF-N-S1-TSshelf, CURVE design,
textured aluminium

Art. No.	€ / U.	P (Unit)
SN S1 D6 ...**	76.06	10

Schlüter®-SHELF-N-S1-TSshelf, PURE design,
textured aluminium

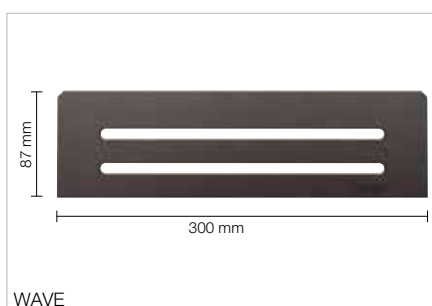
Art. No.	€ / U.	P (Unit)
SN S1 D7 ...**	89.51	10



SQUARE

Schlüter®-SHELF-N-S1-ACshelf, SQUARE design,
colour coated aluminium

Art. No.	€ / U.	P (Unit)
SN S1 D3 ...*	83.25	10



WAVE

Schlüter®-SHELF-N-S1-ACshelf, WAVE design,
colour coated aluminium

Art. No.	€ / U.	P (Unit)
SN S1 D10 ...*	83.25	10

MyDesign by Schlüter-Systems
Custom coating in 190 RAL Classic colours
available. More details from page 16.

Schlüter®-SHELF-N-S1-TSshelf, SQUARE design,
textured aluminium

Art. No.	€ / U.	P (Unit)
SN S1 D3 ...**	89.51	10

Schlüter®-SHELF-N-S1-TSshelf, WAVE design,
textured aluminium

Art. No.	€ / U.	P (Unit)
SN S1 D10 ...**	89.51	10

To complete the art. no., add the finish/colour
(e.g. SN S1 D10 TSC)

* Finishes/colours: MBW - MGS

** Finishes/colours:

TSBG - TSC - TSDA - TSI - TSOB - TSSG

Available finishes | colours



For an overview of finishes and colours, please see page 342.



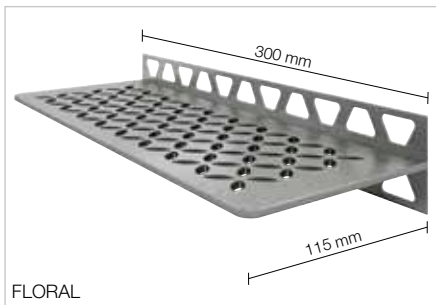
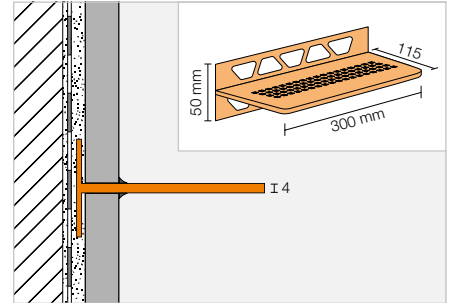
Shelf

Schlüter®-SHELF-W

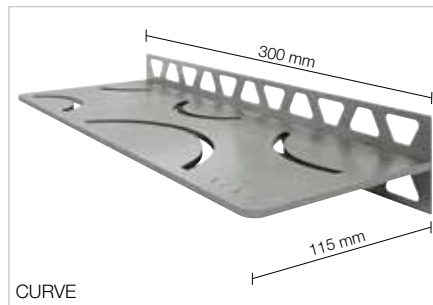


Schlüter-SHELF-W are rectangular shelves for wall surfaces. They are available in the design variants FLORAL, CURVE, PURE, SQUARE and WAVE in the finish choices brushed stainless steel or TRENDLINE powder coated aluminium. Their trapezoid perforated anchoring legs are integrated into the tile assembly during tile installation. They are suitable as shelves in shower areas, but can also be integrated into other tiled areas such as tiled kitchen walls.

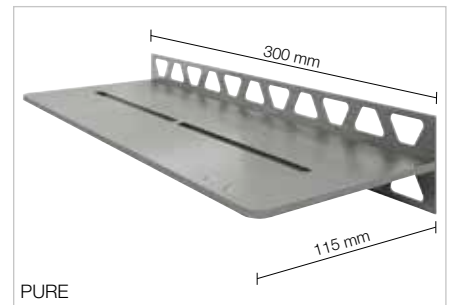
(Product data sheet 17.1)



FLORAL



CURVE



PURE

Schlüter®-SHELF-W-S1-EB

shelf, FLORAL design, brushed stainless steel

Art. No.	€ / U.	P (Unit)
SW S1 D5 EB	156.34	10

Schlüter®-SHELF-W-S1-EB

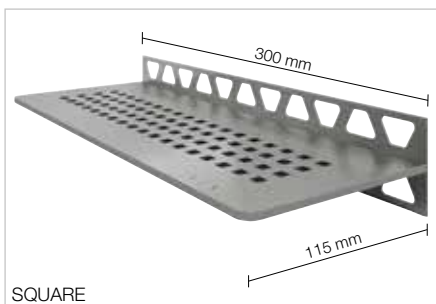
shelf, CURVE design, brushed stainless steel

Art. No.	€ / U.	P (Unit)
SW S1 D6 EB	143.31	10

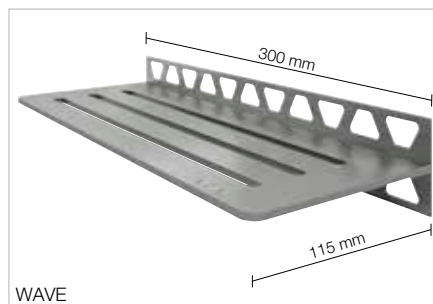
Schlüter®-SHELF-W-S1-EB

shelf, PURE design, brushed stainless steel

Art. No.	€ / U.	P (Unit)
SW S1 D7 EB	160.84	10



SQUARE



WAVE

Schlüter®-SHELF-W-S1-EB

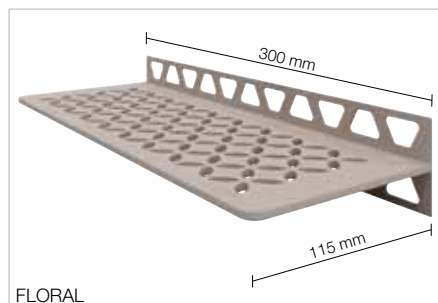
shelf, SQUARE design, brushed stainless steel

Art. No.	€ / U.	P (Unit)
SW S1 D3 EB	160.84	10

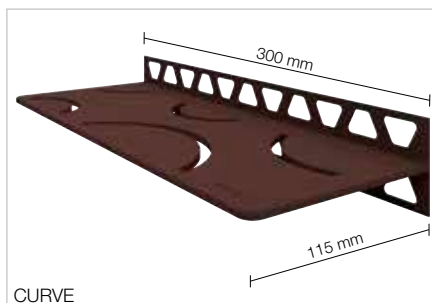
Schlüter®-SHELF-W-S1-EB

shelf, WAVE design, brushed stainless steel

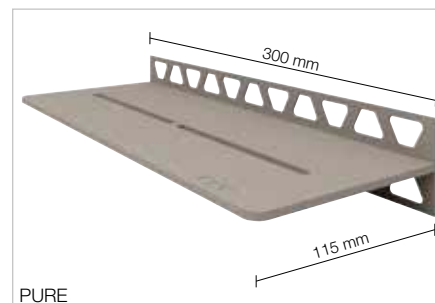
Art. No.	€ / U.	P (Unit)
SW S1 D10 EB	160.84	10



FLORAL



CURVE



PURE

Schlüter®-SHELF-W-S1-ACshelf, FLORAL design,
colour coated aluminium

Art. No.	€ / U.	P (Unit)
SW S1 D5 ...*	117.25	10

Schlüter®-SHELF-W-S1-ACshelf, CURVE design,
colour coated aluminium

Art. No.	€ / U.	P (Unit)
SW S1 D6 ...*	104.57	10

Schlüter®-SHELF-W-S1-ACshelf, PURE design,
colour coated aluminium

Art. No.	€ / U.	P (Unit)
SW S1 D7 ...*	118.94	10

Schlüter®-SHELF-W-S1-TSshelf, FLORAL design,
textured aluminium

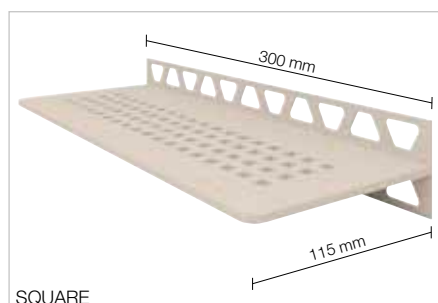
Art. No.	€ / U.	P (Unit)
SW S1 D5 ...**	124.86	10

Schlüter®-SHELF-W-S1-TSshelf, CURVE design,
textured aluminium

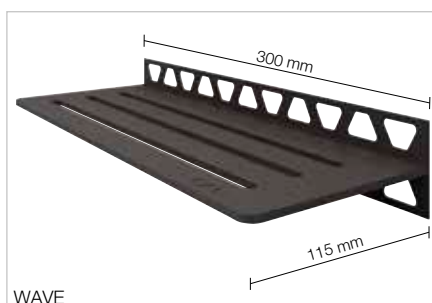
Art. No.	€ / U.	P (Unit)
SW S1 D6 ...**	112.19	10

Schlüter®-SHELF-W-S1-TSshelf, PURE design,
textured aluminium

Art. No.	€ / U.	P (Unit)
SW S1 D7 ...**	125.19	10



SQUARE



WAVE

Schlüter®-SHELF-W-S1-ACshelf, SQUARE design,
colour coated aluminium

Art. No.	€ / U.	P (Unit)
SW S1 D3 ...*	118.94	10

Schlüter®-SHELF-W-S1-ACshelf, WAVE design,
colour coated aluminium

Art. No.	€ / U.	P (Unit)
SW S1 D10 ...*	118.94	10

Schlüter®-SHELF-W-S1-TSshelf, SQUARE design,
textured aluminium

Art. No.	€ / U.	P (Unit)
SW S1 D3 ...**	125.19	10

Schlüter®-SHELF-W-S1-TSshelf, WAVE design,
textured aluminium

Art. No.	€ / U.	P (Unit)
SW S1 D10 ...**	125.19	10

To complete the art. no., add the finish/colour
(e.g. SW S1 D10 TSC)

* Finishes/colours: MBW - MGS

** Finishes/colours:

TSBG - TSC - TSDA - TSI - TSOB - TSSG

Available finishes | colours



For an overview of finishes and colours, please see page 342.

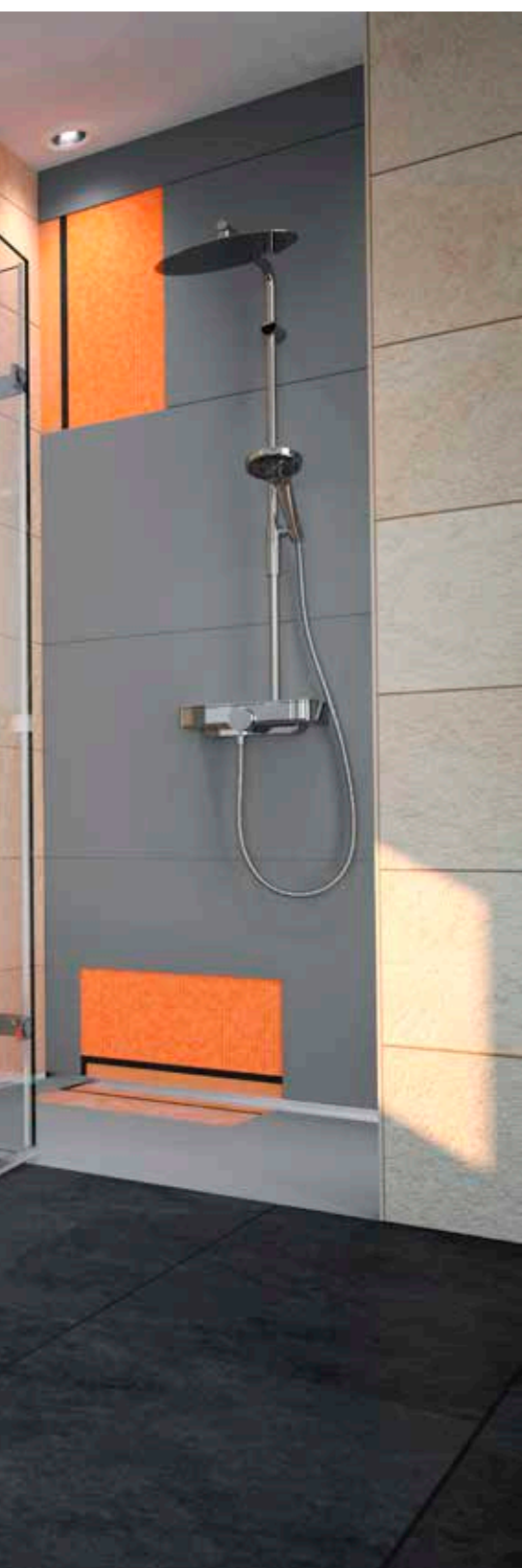


Schlüter®-KERDI-BOARD

Much more than a structural panel

Easy to transport and install, completely waterproof: After working with Schlüter-KERDI-BOARD, you will never want to go without these advantages again. Our assortment includes the right solution for every task – from pipe coverings to pre-assembled, illuminated wall niches. There are unlimited creative options.





Backerboard

Schlüter®-KERDI-BOARD	275
Schlüter®-KERDI-BOARD-V	284

Vanity set

Schlüter®-KERDI-BOARD-W	277
-------------------------	-----

Niche sets

Schlüter®-KERDI-BOARD-N	278
Schlüter®-KERDI-BOARD-NLT	280
Schlüter®-KERDI-BOARD-NLT-BR	282

Waterproofing

Schlüter®-KERDI-KEBA	285
Schlüter®-KERDI-COLL-L	285

Profiles

Schlüter®-KERDI-BOARD-ZW	286
Schlüter®-KERDI-BOARD-ZC	286
Schlüter®-KERDI-BOARD-ZA	287
Schlüter®-KERDI-BOARD-ZB	287

Accessories

Schlüter®-KERDI-BOARD-E	284
Schlüter®-KERDI-BOARD-U	284
Schlüter®-KERDI-BOARD-ZSD	288
Schlüter®-KERDI-BOARD-ZT	288
Schlüter®-KERDI-BOARD-ZS	288
Schlüter®-KERDI-BOARD-ZDK	289
Schlüter®-KERDI-BOARD-ZSA	289
Schlüter®-KERDI-BOARD-ZFP	289



Schlüter®-KERDI-BOARD

Universal tile underlayment

The substrates encountered in many new construction and renovation projects are not suitable for tile coverings, particularly in high-moisture areas. They frequently require extensive additional work and waterproofing measures. Schlüter-KERDI-BOARD makes it easy to create a substrate that is ready for tile installation – whether on masonry, wood or metal stud structures or mixed/existing substrates in renovation projects. Moreover, the material is well-suited for building stand-alone partition walls, shelves or panels.

- ✓ Bonded waterproofing system with official abP technical approval
- ✓ European approval as a bonded waterproofing system with CE mark
- ✓ Waterproof and temperature-resistant
- ✓ Vapour barrier
- ✓ Thermally-insulating
- ✓ Low in emissions
- ✓ Free of cement/fibreglass
- ✓ Level, dimensionally stable and non-bending
- ✓ Dust-free and easy to cut (utility knife)
- ✓ Imprinted gridlines
- ✓ Fleece surface for bonding in thin-bed tile adhesive
- ✓ Lightweight, easy to transport
- ✓ Universally suitable for all substrates
- ✓ Pleasant feel

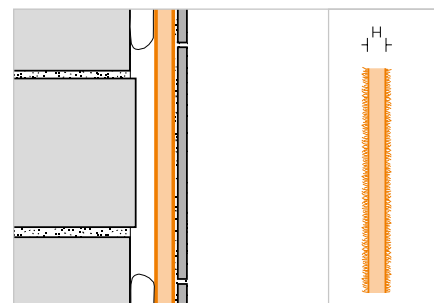


Substrate panel

Schlüter®-KERDI-BOARD



Schlüter-KERDI-BOARD is a universal substrate for the installation of tiles on walls of any kind and can also be used in bonded waterproofing assemblies.
(Product data sheet 12.1)



Schlüter®-KERDI-BOARD

substrate panel

H (mm)	62.5 x 260 cm = 1.62 m ² Art. No.	€ / m ²	PL (Unit)
5	KB 5 625 2600	39.08	140
9	KB 9 625 2600	40.98	80
12.5	KB 12 625 2600	42.93	60
19	KB 19 625 2600	44.81	42
28	KB 28 625 2600	49.82	28
38	KB 38 625 2600	55.94	21
50	KB 50 625 2600	62.83	15

Schlüter®-KERDI-BOARD

mixed pallets

composition	L = 2.60 m Art. No.	€ / U.
20 x 5 mm, 20 x 9 mm, 20 x 12.5 mm, 12 x 19 mm	KB 2600 MP1	4856.32
8 x 28 mm, 6 x 38 mm, 6 x 50 mm	KB 2600 MP2	1800.01
10 x 5 mm, 10 x 9 mm, 10 x 12.5 mm, 6 x 19 mm, 4 x 28 mm, 3 x 38 mm, 3 x 50 mm	KB 2600 MP3	3328.16

Schlüter®-KERDI-BOARD

substrate panel

H (mm)	62.5 x 125 cm = 0.78 m ² Art. No.	€ / m ²	PL (Unit)
5	KB 5 625 1250	39.08	140
9	KB 9 625 1250	40.98	80
12.5	KB 12 625 1250	42.93	60
19	KB 19 625 1250	44.81	42
28	KB 28 625 1250	49.82	28
38	KB 38 625 1250	55.94	21
50	KB 50 625 1250	62.83	15

Schlüter®-KERDI-BOARD

mixed pallets

composition	L = 1.25 m Art. No.	€ / U.
20 x 5 mm, 20 x 9 mm, 20 x 12.5 mm, 12 x 19 mm	KB 1250 MP1	2338.23
8 x 28 mm, 6 x 38 mm, 6 x 50 mm	KB 1250 MP2	866.66
10 x 5 mm, 10 x 9 mm, 10 x 12.5 mm, 6 x 19 mm, 4 x 28 mm, 3 x 38 mm, 3 x 50 mm	KB 1250 MP3	1602.47

Dimensions and packaging data of Schlüter®-KERDI-BOARD

Panel thickness	5 mm	9 mm	12.5 mm	19 mm	28 mm	38 mm	50 mm
Packaging unit (PU)	10 panels	10 panels	10 panels	6 panels	4 panels	3 panels	3 panels
Pallet content	14 PU (140 panels)	8 PU (80 panels)	6 PU (60 panels)	7 PU (42 panels)	7 PU (28 panels)	7 PU (21 panels)	5 PU (15 panels)
Format 125 x 62.5 cm							
m ² / pallet	109.20	62.40	46.80	32.76	21.84	16.38	11.70
kg / panel	0.843	0.961	1.055	1.167	1.399	1.657	1.966
Format 260 x 62.5 cm							
m ² / pallet	226.80	129.60	97.20	68.04	45.36	34.02	24.30
kg / panel	1.755	1.998	2.194	2.428	2.911	3.447	4.090



Schlüter®-KERDI-BOARD-W

Individual, flexible vanity unit solution

- ✓ Prefabricated vanity unit element made of KERDI-BOARD
- ✓ Set includes waterproofing components
- ✓ Ready for tiling
- ✓ Lightweight – easy handling
- ✓ Individually customisable
- ✓ 1¼" connection thread to fit commercially available traps
- ✓ Matches KERDI-LINE-VARIO profiles
- ✓ Floating installation feasible together with proprietary vanity unit



Vanity set

Schlüter®-KERDI-BOARD-W

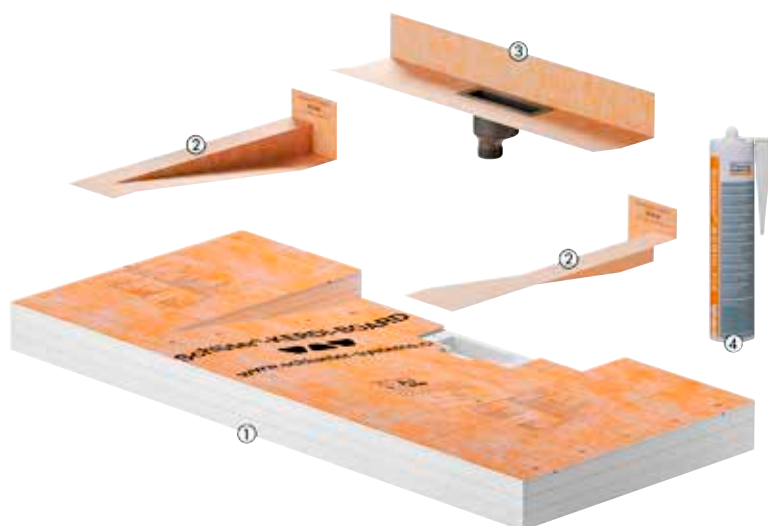


Schlüter-KERDI-BOARD-W is a prefabricated element for creating individually designed, tiled vanity units, with fittings installed at the wall. The element can be installed in niches or corners and is easy to adapt to on-site dimensions. Floating installation is possible with optionally wall fixed vanity units.

The supplied drain adapter has a 1¼" connection thread for connecting commercially available traps and a permanently attached elasticated KERDI waterproofing collar. The scope of supply also includes prefabricated KERDI-KERS corner pieces for dependable waterproofing and a cartridge of KERDI-FIX.

The KERDI-LINE-VARIO drainage profiles to match the covering of the vanity unit must be ordered separately. They can be variably cut to size, are height adjustable and ship with two matching end caps (see product data sheet 8.10).

(Product data sheet 12.3)



Set includes:

- 1 prefabricated vanity unit made of KERDI-BOARD
- 2 KERDI-KERS corner pieces (right and left)
- 3 drain adapter with 1¼" connection thread, incl. KERDI waterproofing collar
- 4 cartridge of KERDI-FIX

Schlüter®-KERDI-BOARD-W ★

prefabricated vanity unit
incl. corner seal and drain adapter with a permanently integrated waterproofing collar

B x H x T (mm)	Art. No.	€ / Set	PL (Set)
1170 x 82 x 520	KB W 520 1170 WL V1	507.38	10

Note:

The KERDI-BOARD-W vanity unit can only be combined with our drainage profiles KERDI-LINE-VARIO COVE or WAVE.

Console set

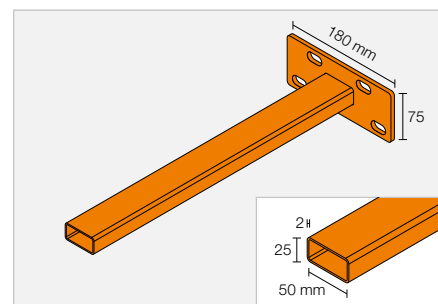
Schlüter®-KERDI-BOARD-AB ★

console set
for floating wall attachment of the vanity unit, incl. mounting materials

Art. No.	€ / Set	PL (Set)
KB W AB 450	131.20	10

Set includes:

- 2 consoles
- Mounting material
- Drilling template





Niche set

Schlüter®-KERDI-BOARD-N

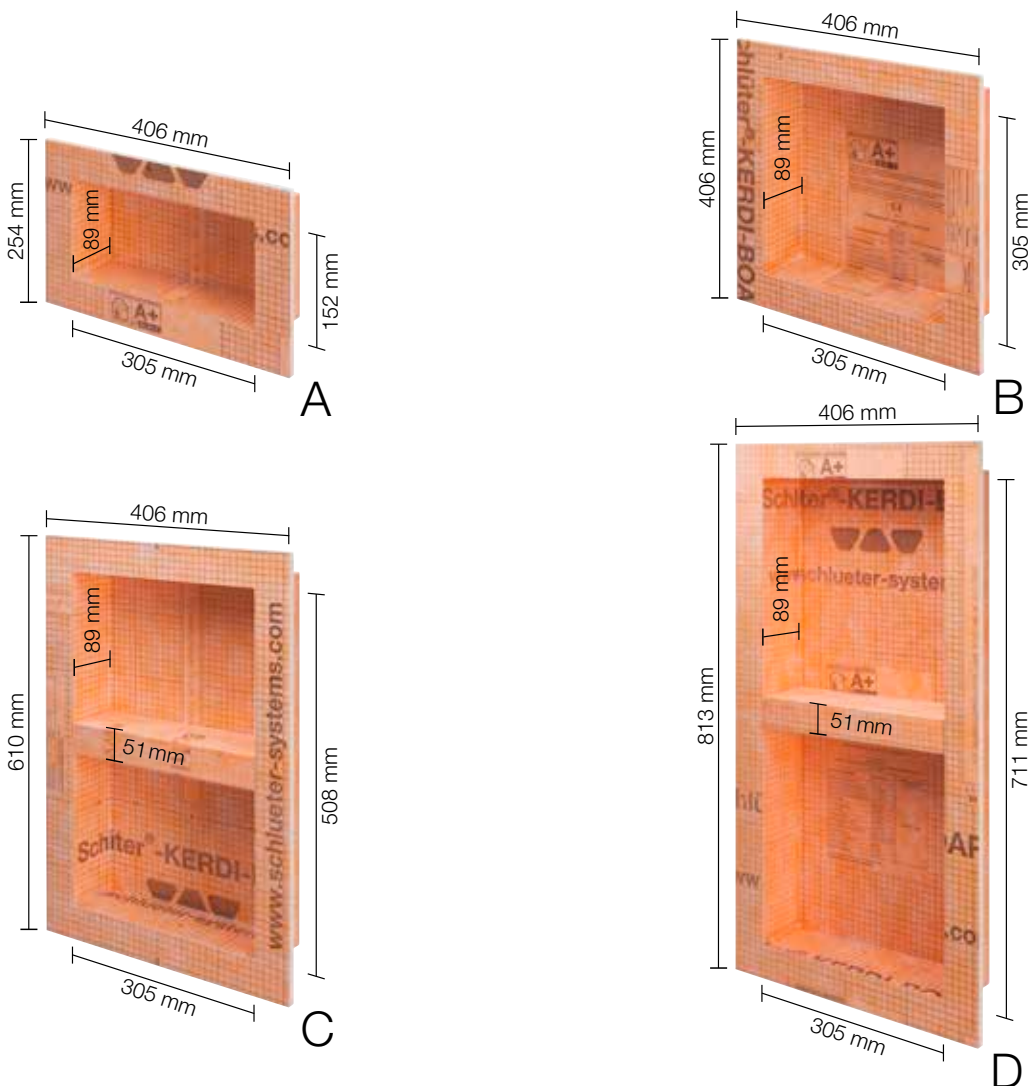


Schlüter-KERDI-BOARD-N are prefabricated installation components made of KERDI-BOARD for creating niches and shelves for wall areas. These niches can be integrated into the Schlüter-KERDI waterproofing system as a bonded waterproofing assembly. The niches are available in different dimensions. The rectangular niches can be installed either vertically or horizontally. The shelf component in the two large niches can be variably positioned and can be omitted if desired, for example to create broad niches in horizontal format. All niches are supplied with a pre-fabricated KERDI collar.

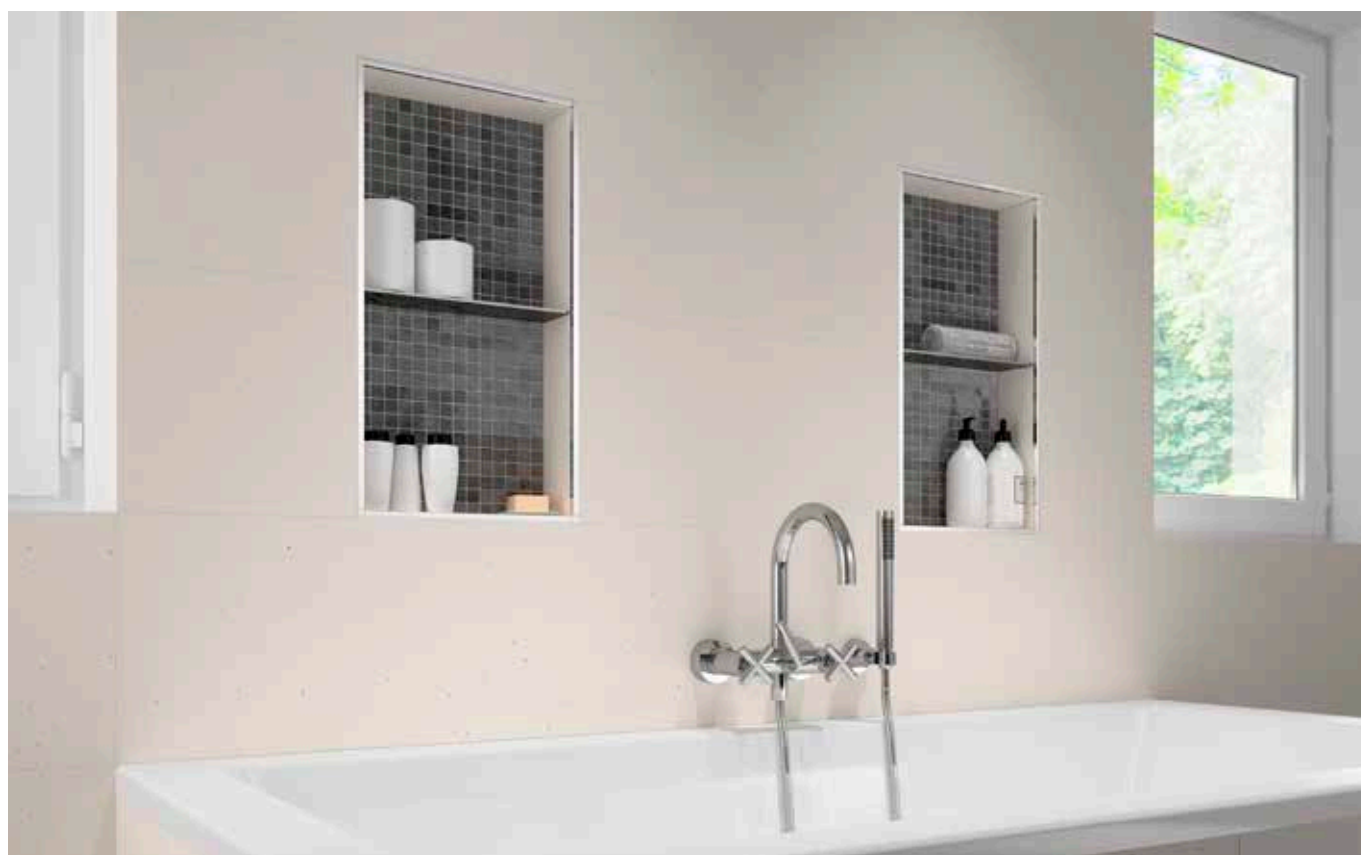
(Product data sheet 12.1)

i
Our Schlüter-SHELF-N shelves can be found on page 268 and 269.

Dimensions of niches



Note: The specified values represent the external dimensions of the niches. The intermediate shelf of niches C and D can be positioned freely.



Schlüter®-KERDI-BOARD-N

niche set

	B x H x T (mm)	Shelf depth (mm)	Adjustable shelf	Art. No.	€ / U.	PL (Unit)
A	305 x 152 x 89	12.5	–	KB 12 N 305 152 A	66.88	20
B	305 x 305 x 89	12.5	–	KB 12 N 305 305 A	83.68	20
C	305 x 508 x 89	12.5	1	KB 12 N 305 508 A1	123.72	20
D	305 x 711 x 89	12.5	1	KB 12 N 305 711 A1	167.39	20

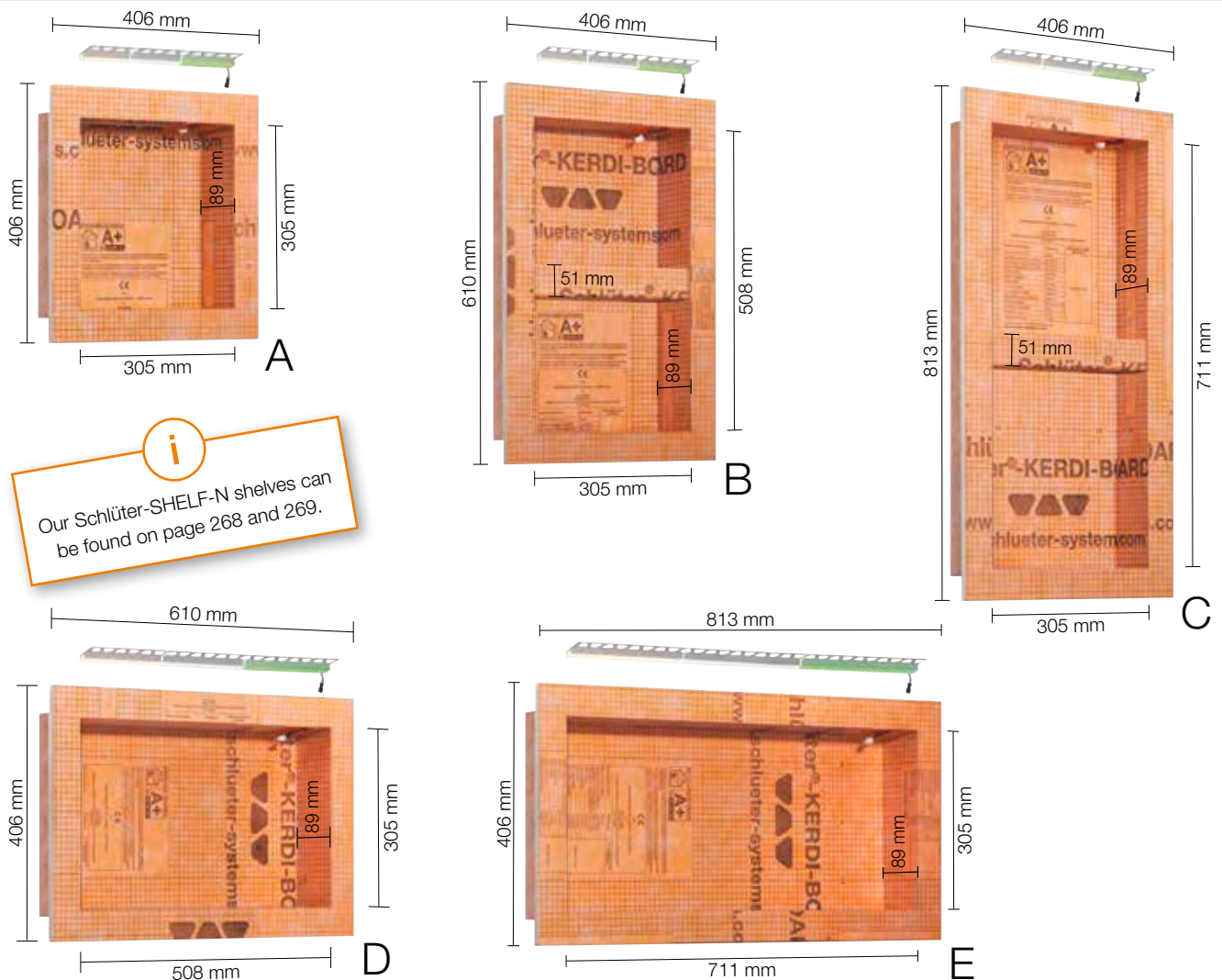


Schlüter®-KERDI-BOARD-NLT

Schlüter-KERDI-BOARD-NLT are prefabricated niche sets made of KERDI-BOARD with plug-and-play LIPROTEC-LED technology. They are used to create illuminated niches and storage surfaces for all kinds of wall areas. These niches can be integrated into the Schlüter-KERDI waterproofing system as a bonded waterproofing assembly. The niches are available in different dimensions and lighting options. The rectangular niches are available with illumination either on the long or the narrow side. The LED module can either be positioned at the front edge, in the centre or at the rear of the wall that is to be tiled. The LED module can either be positioned at the front edge, in the centre or at the rear of the wall that is to be tiled. The scope of supply includes all components required for the installation, as well as the cable connection, power supply and sealing collar.

(Product data sheet 12.2)

Dimensions of niches



i Our Schlüter-SHELF-N shelves can be found on page 268 and 269.

Note: The intermediate shelf of niches B and C can be positioned freely.

Set includes:



i Bluetooth controls also available separately!

Niche set with LED lighting

Schlüter®-KERDI-BOARD-NLT

niche set with LED lighting

	B x H x T (mm)	Type of light	Art. No.	€ / Set	PL (Set)
A	305 x 305 x 89	warm white	KB 12 NL TP1 AE 1	300.46	20
		neutral white	KB 12 NL TP1 AE 2	300.46	20
		RGB + white	KB 12 NL TP1 AE 9	338.01	20
B	305 x 508 x 89	warm white	KB 12 NL TP2 AE 1	338.01	20
		neutral white	KB 12 NL TP2 AE 2	338.01	20
		RGB + white	KB 12 NL TP2 AE 9	375.57	20
C	305 x 711 x 89	warm white	KB 12 NL TP3 AE 1	388.10	20
		neutral white	KB 12 NL TP3 AE 2	388.10	20
		RGB + white	KB 12 NL TP3 AE 9	425.65	20
D	508 x 305 x 89	warm white	KB 12 NL TP4 AE 1	369.32	20
		neutral white	KB 12 NL TP4 AE 2	369.32	20
		RGB + white	KB 12 NL TP4 AE 9	388.10	20
E	711 x 305 x 89	warm white	KB 12 NL TP5 AE 1	450.68	20
		neutral white	KB 12 NL TP5 AE 2	450.68	20
		RGB + white	KB 12 NL TP5 AE 9	469.47	20

Note: The dimensions represent interior clearance dimensions. The first length specification is the illuminated length.

Technical data of the included LED modules

NLT 9 (RGB+W)		NLT 1 (warm white)		NLT 2 (neutral white)	
Dimensions of LED (B x H)	17 x 14.5 mm	Dimensions of LED (B x H)	12 x 10.5 mm	Dimensions of LED (B x H)	12 x 10.5 mm
Rated output (W/m)	See LT 24 page 80	Rated output (W/m)	See LT 24 page 80	Rated output (W/m)	See LT 24 page 80
EEC	F	EEC	E	EEC	E
Number of LED (u./m)	112	Number of LED (u./m)	280	Number of LED (u./m)	280
Colour temperature (Kelvin)	RGB+W (2700 K)	Colour temperature (Kelvin)	3000 K	Colour temperature (Kelvin)	4900 K
CRI	90	CRI	92	CRI	92
Included power supply	230 V. 15 W	Included power supply	230 V. 15 W	Included power supply	230 V. 15 W
Included cable	3 m	Included cable	3 m	Included cable	3 m



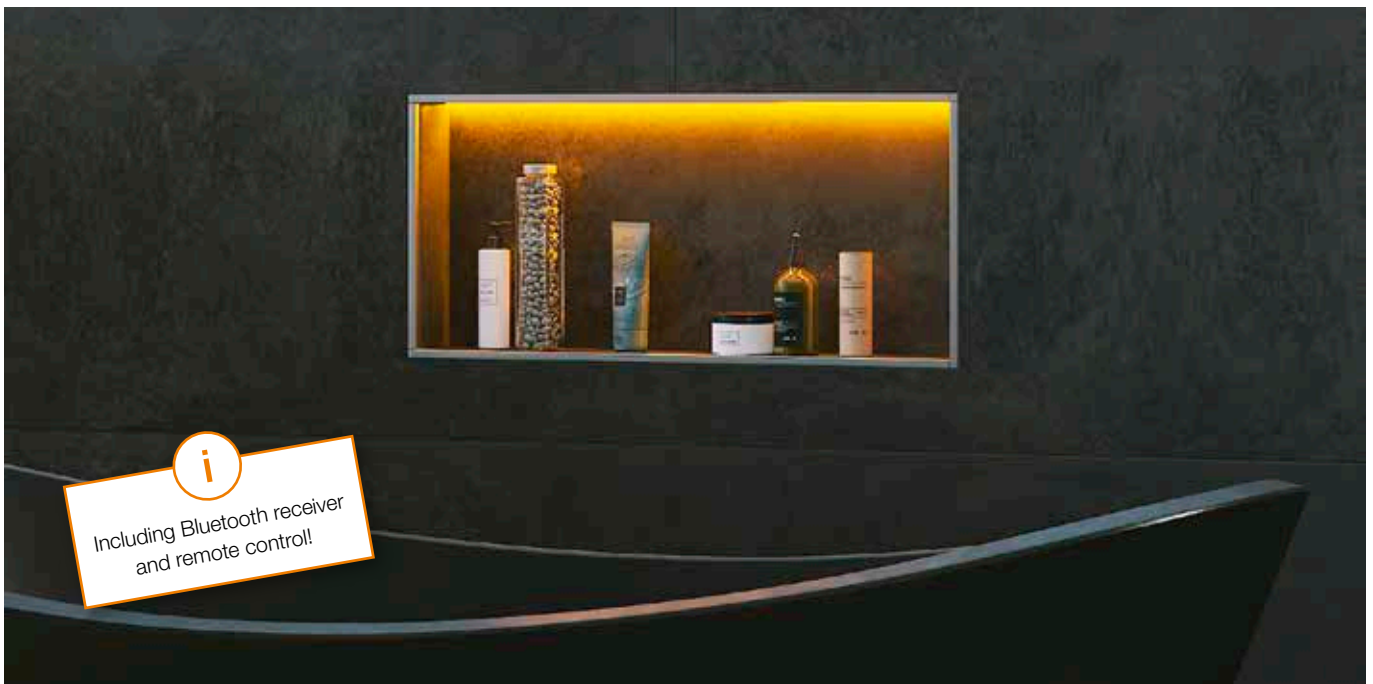


Schlüter®-KERDI-BOARD-NLT-BR

Schlüter-KERDI-BOARD-NLT-BR are prefabricated niche sets made of KERDI-BOARD with plug-and-play LIPROTEC-LED RGB+W technology and with Bluetooth/wireless receivers. The various light colours can be selected either via the supplied remote control or via suitable Bluetooth-compatible smartphones or tablets. They are used to create illuminated niches and storage surfaces for all kinds of wall areas. These niches can be integrated into the Schlüter-KERDI waterproofing system as a bonded waterproofing assembly.

The niches are available in different dimensions. The rectangular niches are available with illumination either on the long or the narrow side. The RGB+W LED module can either be positioned at the front edge, centre or at the rear wall that is to be tiled. The scope of supply includes all components required for the installation, as well as the cable connection, power supply, LIPROTEC-PEBR 4 Bluetooth control and sealing collar. We recommend using a standard light switch for convenience.

(Product data sheet 12.2)



Set includes:



Note: The different niche variants are listed on page 280.
The intermediate shelf of niches B and C can be positioned freely.

Niche set with LED lighting and controller

Schlüter®-KERDI-BOARD-NLT-BR

niche set with LED lighting and controller

	B x H x T (mm)	Type of light	Art. No.	€ / Set	PL (Set)
A	305 x 305 x 89	RGB + white	KB 12 NL TP1 AE 9 BR	557.11	20
B	305 x 508 x 89	RGB + white	KB 12 NL TP2 AE 9 BR	594.66	20
C	305 x 711 x 89	RGB + white	KB 12 NL TP3 AE 9 BR	644.74	20
D	508 x 305 x 89	RGB + white	KB 12 NL TP4 AE 9 BR	607.18	20
E	711 x 305 x 89	RGB + white	KB 12 NL TP5 AE 9 BR	688.54	20

Note:

The dimensions represent interior clearance dimensions. The first length specification is the illuminated length.

Technical data of the included LED modules

NLT 9 (RGB+W)

Dimensions of LED (B x H)	17 x 14.5 mm
Rated output (W/m)	See LT 24 page 80
EEC	F
Number of LED (u./m)	112
CRI	90
Included power supply	230 V. 15 W
Included cable	3 m

i
Detailed technical information about Schlüter-KERDI-BOARD-NLT / -NLT-BR can be found in our Schlüter-LIPROTEC illustrated price list.

Technical data of the included Bluetooth control

LT PEBR 4

Receiver/remote control transmission standard	Bluetooth/radio
Max. range	10 m
Input voltage	24 V, DC
Max. total load in the LIPROTEC system	90 W
Max. length LED strips	6 m
Degree of protection	IP63
Ambient temperature	-20 °C to +50 °C

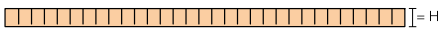


i
Our Schlüter-SHELF-N shelves can be found on page 268 and 269.



Substrate panel

Schlüter®-KERDI-BOARD-V



Schlüter-KERDI-BOARD-V is a substrate and construction panel with vertical grooves for creating curved substrates for tile installation.
(Product data sheet 12.1)

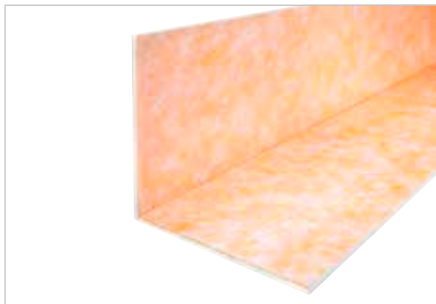
Schlüter®-KERDI-BOARD-V

substrate panel with vertical grooves

H (mm)	62.5 x 260 cm = 1.62 m ² Art. No.	€ / m ²	PL (Unit)
9	KB 9 625 2600 V	52.02	80
12.5	KB 12 625 2600 V	53.95	60
19	KB 19 625 2600 V	55.86	42
28	KB 28 625 2600 V	60.83	28
38	KB 38 625 2600 V	66.96	21
50	KB 50 625 2600 V	73.87	15

Angle component

Schlüter®-KERDI-BOARD-E



Schlüter-KERDI-BOARD-E is an angled component for creating corner formations and pipe panelling.
(Product data sheet 12.1)

Schlüter®-KERDI-BOARD-E

angle component, 260 x 62.5 cm

H (mm)	31 x 31 cm Art. No.	€ / U.	PL (Unit)
12.5	KB 12 625 2600 E	94.57	60
19	KB 19 625 2600 E	97.64	42
28	KB 28 625 2600 E	105.74	28

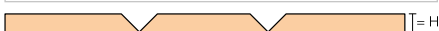
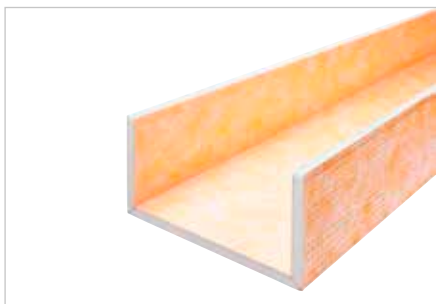
Schlüter®-KERDI-BOARD-E/-U

combined package with precut L and U shaped Schlüter-KERDI-BOARD panels to conceal pipes or electrical conduit

composition	L = 2.60 m Art. No.	€ / U.
2 x KB 19 625 2600 E 2 x KB 19 625 2600 U 20 2 x KB 19 625 2600 U 30	KB RK 2600 MP1	685.37

Pipe cover

Schlüter®-KERDI-BOARD-U



Schlüter-KERDI-BOARD-U is a U shaped component for creating pipe panelling.
(Product data sheet 12.1)

Schlüter®-KERDI-BOARD-U

U shaped component, 260 x 62.5 cm

H (mm)	21 x 20 x 21 cm Art. No.	€ / U.	PL (Unit)
19	KB 19 625 2600 U 20	122.55	42

Schlüter®-KERDI-BOARD-U

U shaped component, 260 x 62.5 cm

H (mm)	16 x 30 x 16 cm Art. No.	€ / U.	PL (Unit)
19	KB 19 625 2600 U 30	122.55	42

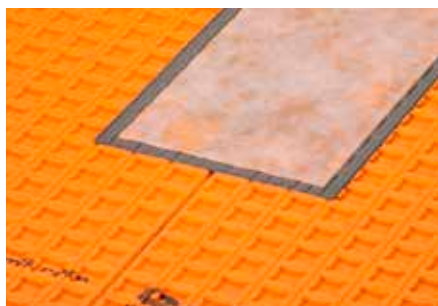
Schlüter®-KERDI-BOARD-E/-U

combined package with precut L and U shaped Schlüter-KERDI-BOARD panels to conceal pipes or electrical conduit

composition	L = 2.60 m Art. No.	€ / U.
2 x KB 19 625 2600 E 2 x KB 19 625 2600 U 20 2 x KB 19 625 2600 U 30	KB RK 2600 MP1	685.37

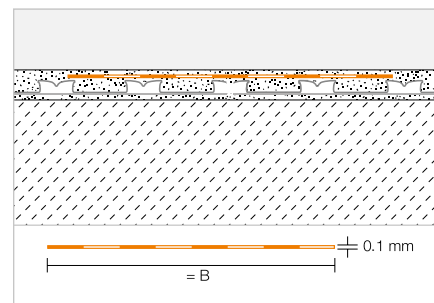
Sealing tape

Schlüter®-KERDI-KEBA



Schlüter-KERDI-KEBA is a sealing band to seal mat connections and wall to floor connections.

(Product data sheet 8.1)



Schlüter®-KERDI-KEBA

polyethylene rolls

B (mm)	roll = 30 m Art. No.	€ / m	PL (Roll)
85	KEBA 100 / 85	2.68	336
125	KEBA 100 / 125	4.02	210
150	KEBA 100 / 150	4.25	210
185	KEBA 100 / 185	5.51	168
250	KEBA 100 / 250	7.13	126

Schlüter®-KERDI-KEBA/5M

polyethylene rolls

B (mm)	roll = 5 m Art. No.	€ / m	P (Roll)
85	KEBA 100 / 85 / 5M	3.77	10
125	KEBA 100 / 125 / 5M	5.02	10
150	KEBA 100 / 150 / 5M	5.39	10
185	KEBA 100 / 185 / 5M	6.56	10
250	KEBA 100 / 250 / 5M	8.23	10

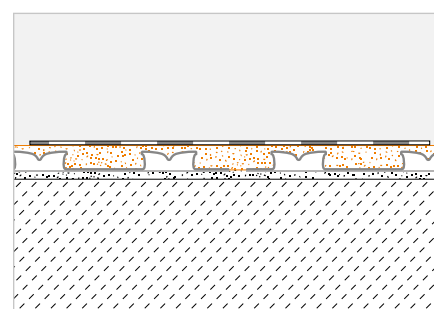
Sealing adhesive

Schlüter®-KERDI-COLL-L



Schlüter-KERDI-COLL-L is a two component sealant adhesive based on a solvent free acrylate dispersion and a reactive cementitious powder. It is suitable for adhering and sealing overlaps of Schlüter-KERDI membranes. In addition, Schlüter-KERDI-COLL-L can be used to tightly adhere the sealing band Schlüter-KERDI-KEBA on bonded waterproofing assemblies made with suitable Schlüter-Systems products as well as on Schlüter-BARA edging profiles.

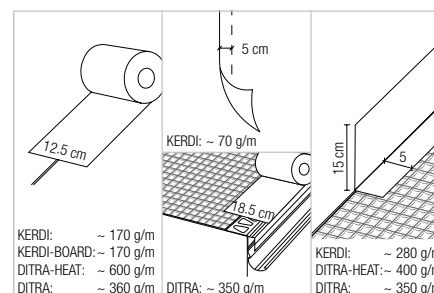
(Product data sheet 8.4)



Schlüter®-KERDI-COLL-L

two-component sealing adhesive

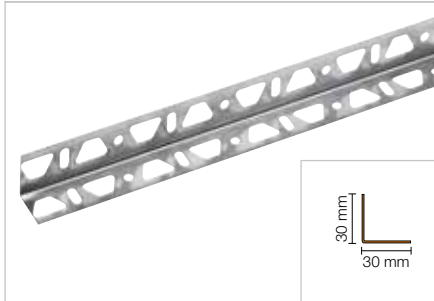
Weight (kg)	Art. No.	€ / kg	PL (Unit)
1.85	KERDI-COLL-L 185	14.47	110
4.25	KERDI-COLL-L	11.92	75





Angle profile

Schlüter®-KERDI-BOARD-ZW



Schlüter-KERDI-BOARD-ZW is a 30 x 30 mm stainless steel angle profile with two trapezoid perforated anchoring legs. It is used for connecting and stabilising structures made of Schlüter-KERDI-BOARD panels. It is either attached with screws or thin-bed adhesive. (Product data sheet 12.1)

Schlüter®-KERDI-BOARD-ZW

stainless steel angle profile, 30 x 30 mm

L (cm)	Art. No.	€ / U.	KV (Unit)
15	KB ZW 30 E/15	1.68	120

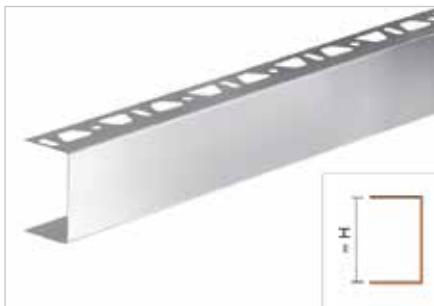
Schlüter®-KERDI-BOARD-ZW

stainless steel angle profile, 30 x 30 mm

L (cm)	Art. No.	€ / m	KV (Unit)
250	KB ZW 30 E	10.00	120

U-shaped profile | corner | joint covering piece

Schlüter®-KERDI-BOARD-ZC



Schlüter-KERDI-BOARD-ZC is a U-shaped profile of brushed stainless steel with trapezoid perforations in one anchoring leg. It is particularly suited for the connection of kitchen work tops, vanities, and similar surfaces. (Product data sheet 12.1)

Schlüter®-KERDI-BOARD-ZC

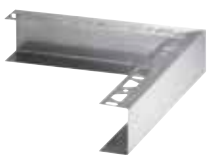
U-shaped profile with trapezoid perforations on one side, brushed stainless steel V2A

H (mm)	L = 2.50 m Art. No.	€ / m	KV (Unit)
38	KB ZC 38 EB	23.71	40
50	KB ZC 50 EB	25.91	40

Schlüter®-KERDI-BOARD-ZC/E

corner piece with trapezoid perforations on one side, brushed stainless steel V2A

H (mm)	Art. No.	€ / U.	P (Unit)
38	E/KB ZC 38 EB	21.34	10
50	E/KB ZC 50 EB	21.34	10



KERDI-BOARD-ZC/E

Schlüter®-KERDI-BOARD-Z/V

joint covering piece, brushed stainless steel V2A

H (mm)	Art. No.	€ / U.	P (Unit)
38	V/KB Z 38 EB	6.75	50
50	V/KB Z 50 EB	6.75	50



KERDI-BOARD-Z/V

Schlüter®-KERDI-BOARD-ZI/V

internal joint covering piece, brushed stainless steel V2A

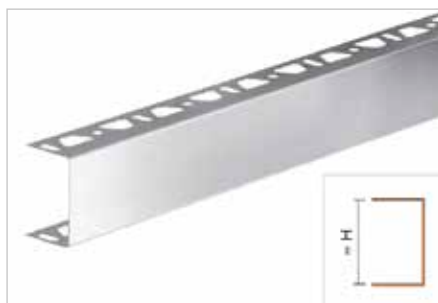
H (mm)	Art. No.	€ / U.	P (Unit)
38	V/KB ZI 38 E	4.17	50
50	V/KB ZI 50 E	4.17	50



KERDI-BOARD-ZI/V

U-shaped profile | corner | joint covering piece

Schlüter®-KERDI-BOARD-ZA



Schlüter-KERDI-BOARD-ZA is a U-shaped profile of brushed stainless steel with trapezoid perforations in both anchoring legs. It is particularly suited for visible edges of partition walls and shelves.
(Product data sheet 12.1)

Schlüter®-KERDI-BOARD-ZA

U-shaped profile with trapezoid perforations on both sides, brushed stainless steel V2A

H (mm)	L = 2.50 m Art. No.	€ / m	KV (Unit)
19	KB ZA 19 EB	20.12	40
28	KB ZA 28 EB	21.73	40
38	KB ZA 38 EB	23.71	40
50	KB ZA 50 EB	25.91	40

Schlüter®-KERDI-BOARD-ZA/E

U shaped corner piece with trapezoid perforations on both sides, brushed stainless steel V2A

H (mm)	Art. No.	€ / U.	P (Unit)
38	E/KB ZA 38 EB	21.34	10
50	E/KB ZA 50 EB	21.34	10



KERDI-BOARD-ZA/E

Schlüter®-KERDI-BOARD-Z/V

joint covering piece, brushed stainless steel V2A

H (mm)	Art. No.	€ / U.	P (Unit)
19	V/KB Z 19 EB	6.75	50
28	V/KB Z 28 EB	6.75	50
38	V/KB Z 38 EB	6.75	50
50	V/KB Z 50 EB	6.75	50



KERDI-BOARD-Z/V

Schlüter®-KERDI-BOARD-ZI/V

internal joint covering piece, brushed stainless steel V2A

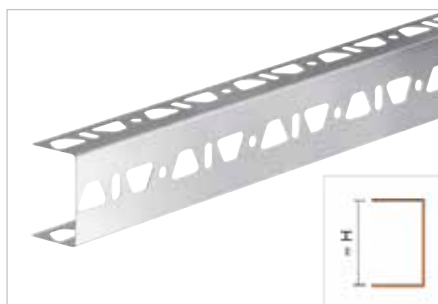
H (mm)	Art. No.	€ / U.	P (Unit)
19	V/KB ZI 19 E	4.17	50
28	V/KB ZI 28 E	4.17	50
38	V/KB ZI 38 E	4.17	50
50	V/KB ZI 50 E	4.17	50



KERDI-BOARD-ZI/V

U-shaped profile

Schlüter®-KERDI-BOARD-ZB



Schlüter-KERDI-BOARD-ZB is a U-shaped profile of stainless steel with trapezoid perforations in three anchoring legs. It is used for connecting and stabilising structures made of Schlüter-KERDI-BOARD panels.
(Product data sheet 12.1)

Schlüter®-KERDI-BOARD-ZB

U-shaped profile with trapezoid perforations on three sides, stainless steel V2A

H (mm)	L = 2.50 m Art. No.	€ / m	KV (Unit)
19	KB ZB 19 E	17.33	40
28	KB ZB 28 E	18.73	40
38	KB ZB 38 E	20.25	40
50	KB ZB 50 E	22.24	40



Anchor

Schlüter®-KERDI-BOARD-ZSD



Schlüter-KERDI-BOARD-ZSD are galvanised steel or stainless steel anchors for the additional mechanical fastening of Schlüter-KERDI-BOARD to the substrate.
(Product data sheet 12.1)

Schlüter®-KERDI-BOARD-ZSD

anchor stainless steel

L (cm)	Art. No.	€ / Package	P (Package)
9	KB ZSD 90 E	28.91	10
11	KB ZSD 110 E	33.36	10

Package = 25 units

Schlüter®-KERDI-BOARD-ZSD

anchor galvanised steel

L (cm)	Art. No.	€ / Package	P (Package)
9	KB ZSD 90 Z	15.51	10
11	KB ZSD 110 Z	17.87	10

Package = 25 units

Washer

Schlüter®-KERDI-BOARD-ZT



Schlüter-KERDI-BOARD-ZT are galvanised steel or stainless steel washers for the attachment of Schlüter-KERDI-BOARD to stud frame structures.
(Product data sheet 12.1)

Schlüter®-KERDI-BOARD-ZT

washer, stainless steel, $\varnothing = 36$ mm

Art. No.	€ / Package	P (Package)
KB ZT 36 E	63.61	10

Package = 100 units

Schlüter®-KERDI-BOARD-ZT

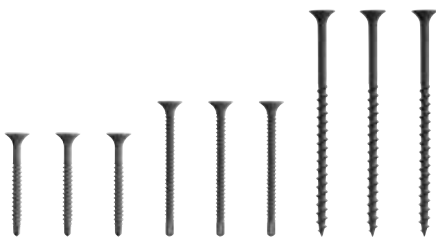
washer, galvanised $\varnothing = 36$ mm

Art. No.	€ / Package	P (Package)
KB ZT 36 Z	22.67	10

Package = 100 units

Drywall screws

Schlüter®-KERDI-BOARD-ZS



Schlüter-KERDI-BOARD-ZS are installation screws for the attachment of Schlüter-KERDI-BOARD to stud frame structures.
(Product data sheet 12.1)

Schlüter®-KERDI-BOARD-ZS

35 mm fine thread self tapping screw

Art. No.	€ / Package	P (Package)
KB ZS 35 FB	7.01	10

Package = 200 units

Schlüter®-KERDI-BOARD-ZS

55 mm fine thread self tapping screw

Art. No.	€ / Package	P (Package)
KB ZS 55 FB	4.34	10

Package = 100 units

Schlüter®-KERDI-BOARD-ZS

75 mm coarse thread screw

Art. No.	€ / Package	P (Package)
KB ZS 75 G	6.43	10

Package = 100 units

Adhesive tape

Schlüter®-KERDI-BOARD-ZDK

Schlüter-KERDI-BOARD-ZDK is a double sided adhesive tape for the attachment of Schlüter-KERDI-BOARD in joint areas.
(Product data sheet 12.1)

Schlüter®-KERDI-BOARD-ZDK

double sided adhesive tape

B (mm)	L = 10 m Art. No.	€ / U.	P (Unit)
12	KB ZDK 12/10M	9.57	10
19	KB ZDK 19/10M	14.85	10
30	KB ZDK 30/10M	23.34	10

Reinforcement

Schlüter®-KERDI-BOARD-ZSA

Schlüter-KERDI-BOARD-ZSA is a self adhesive tape for joint reinforcement where suitable trowel-applied covering materials or plaster is used over Schlüter-KERDI-BOARD.
(Product data sheet 12.1)

Schlüter®-KERDI-BOARD-ZSA

joint reinforcement

100 mm x 45 m Art. No.	€ / U.	P (Unit)
KB ZSA 100/45M	17.05	10

Flat profile

Schlüter®-KERDI-BOARD-ZFP

Schlüter-KERDI-BOARD-ZFP is a flat plastic profile that is adhered behind the U-shaped profile to ensure strong reinforcement for attaching fittings; e.g. door hardware.
(Product data sheet 12.1)

Schlüter®-KERDI-BOARD-ZFP

flat plastic profile

35 mm x 2.50 m Art. No.	€ / m	P (Unit)
KB ZFP 35	4.39	10



Schlüter-Systems

Balcony and terrace assembly systems

The Schlüter balcony system comprises a complete range of Schlüter-BARA profiles for edge finishing and Schlüter-BARIN gutter components for the drainage of ceramic and natural stone assemblies on balconies and terraces. The system is designed to match the drainage system Schlüter-TROBA, the uncoupling and bonded waterproofing system Schlüter-DITRA, and the innovative, passive capillary bonded drainage system Schlüter-DITRA-DRAIN.



Overview of balcony and terrace assemblies

Sample assemblies 292–295

Uncoupling and bonded waterproofing

Schlüter®-KERDI 296

Schlüter®-DITRA 297

Drainage

Schlüter®-DITRA-DRAIN 4 297

Schlüter®-DITRA-DRAIN 8 298

Schlüter®-TROBA-PLUS 299

Schlüter®-TROBA-PLUS-G 300

Schlüter®-TROBA 301

Studded panel

Schlüter®-BEKOTEC-DRAIN 298

Support systems and installation aids

Schlüter®-TROBA-STELZ 302

Schlüter®-TROBA-LEVEL 304–306

Drainage channels

Schlüter®-TROBA-LINE-TL 307–308

Schlüter®-TROBA-LINE-TLR 308

Schlüter®-TROBA-LINE-TLR-E 309

Edge support profiles

Schlüter®-BARA-RTK 313

Schlüter®-BARA-RTKE 314

Schlüter®-BARA-RTKEG 315

Schlüter®-BARA-RKLT 331

Schlüter®-BARA-RTP 332

Edge profiles

Schlüter®-BARA-RAK 317

Schlüter®-BARA-RAKE 318

Schlüter®-BARA-RAKEG 319

Schlüter®-BARA-RKK 320

Schlüter®-BARA-RW 321

Schlüter®-BARA-RKKE 322

Schlüter®-BARA-RKB 323

Schlüter®-BARA-RT 324

Schlüter®-BARA-RTC 325

Schlüter®-BARA-RK 326

Schlüter®-BARA-RWL 327

Schlüter®-BARA-RHA 327

Schlüter®-BARA-RKL 328–329

Schlüter®-BARA-RAP 330

Schlüter®-BARA-FAP 330

Skirting support profiles

Schlüter®-BARA-ESOT 333

Gutter systems

Schlüter®-BARIN-SR 334

Schlüter®-BARIN-R 335

Accessories

Schlüter®-TROBA-ZFK 301

Schlüter®-TROBA-LINE-TLK-E 310

Schlüter®-TROBA-LINE-TL/H 310

Schlüter®-KERDI-DRAIN-SP-E 310

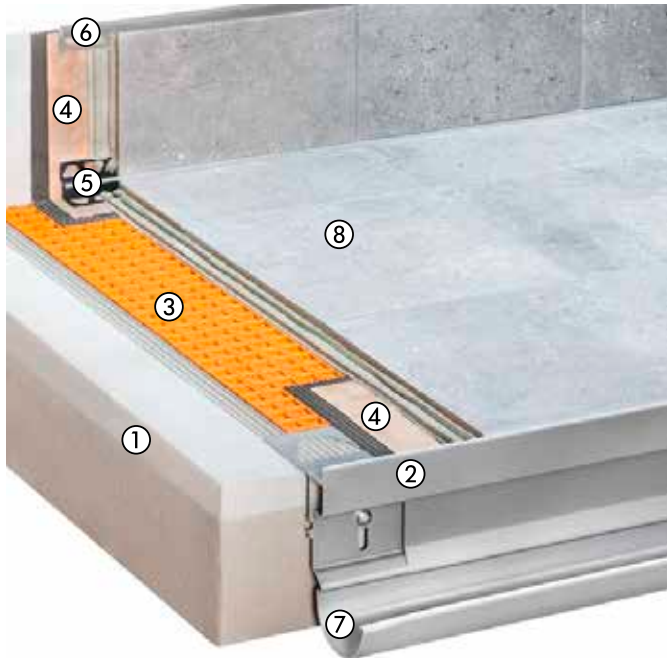
Schlüter®-BARA-HV 329

Schlüter®-BARA-STU 333



Balcony construction with the bonded waterproofing assembly Schlüter®-DITRA

Schlüter-DITRA is a bonded waterproofing assembly with tile covering. The membrane's bonded uncoupling function neutralises the stresses occurring between the substrate and the covering due to temperature fluctuations. Due to the vapour pressure equalisation function of DITRA, the residual moisture of the substrate (e.g. in green screeds) is safely drained away. Abutting joints and connections to walls and structural elements are created with the sealing band Schlüter-KERDI-KEBA and Schlüter-KERDI-COLL.

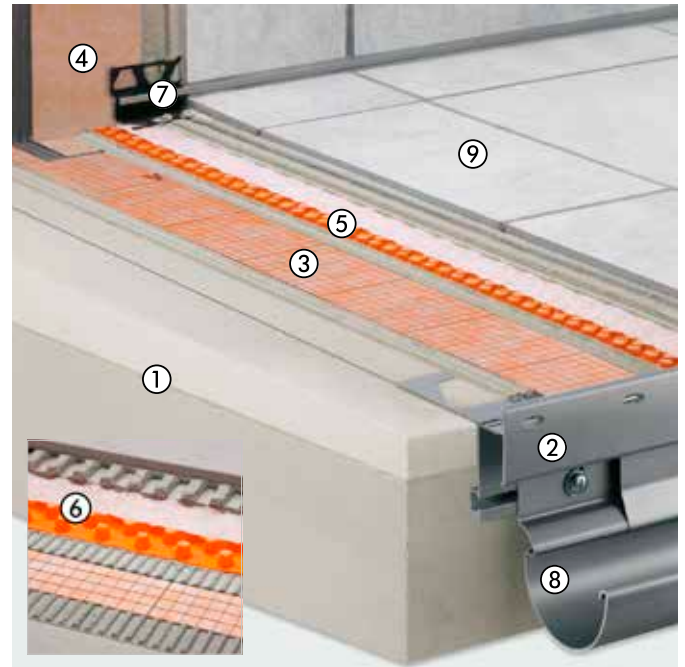


- ① Sloped substrate
- ② Schlüter®-BARA-RTKEG
- ③ Schlüter®-DITRA
- ④ Schlüter®-KERDI-KEBA
Schlüter®-KERDI-COLL
- ⑤ Schlüter®-DILEX-EKE
Schlüter®-DILEX-EF
Schlüter®-DILEX-EK
Schlüter®-DILEX-RF
- ⑥ Schlüter®-RONDEC
Schlüter®-JOLLY
Schlüter®-QUADEC
- ⑦ Schlüter®-BARIN
- ⑧ Tile or natural stone covering

-
- Page 315
- Page 297
- Page 191
- Page 198
- Page 140
- Page 140
- Page 142
- Page 141
- Page 72
- Page 82
- Page 63
- Page 334
-

Balcony construction with the bonded drainage assembly Schlüter®-DITRA-DRAIN

The bonded waterproofing assembly Schlüter-KERDI protects the support structure against permeating moisture. The passive capillary bonded drainage membrane Schlüter-DITRA-DRAIN is installed in an adhesive between the waterproofing layer and the tile covering. This results in broad subaeration of the top covering, which in turn promotes the quick and even drying/curing of the adhesive. The uncoupling function of DITRA-DRAIN neutralises any occurring stresses.



- ① Sloped substrate
- ② Schlüter®-BARA-RTKEG
- ③ Schlüter®-KERDI 200
- ④ Schlüter®-KERDI-KEBA
Schlüter®-KERDI-COLL
- ⑤ Schlüter®-DITRA-DRAIN 4
- ⑥ Schlüter®-DITRA-DRAIN 8
- ⑦ Schlüter®-DILEX-EKE
Schlüter®-DILEX-EF
Schlüter®-DILEX-EK
Schlüter®-DILEX-RF
- ⑧ Schlüter®-BARIN
- ⑨ Tile or natural stone covering

-
- Page 314
- Page 296
- Page 191
- Page 198
- Page 297
- Page 298
- Page 140
- Page 140
- Page 142
- Page 141
- Page 334
-

Thin covering assembly over waterproofing layers according to DIN 18531

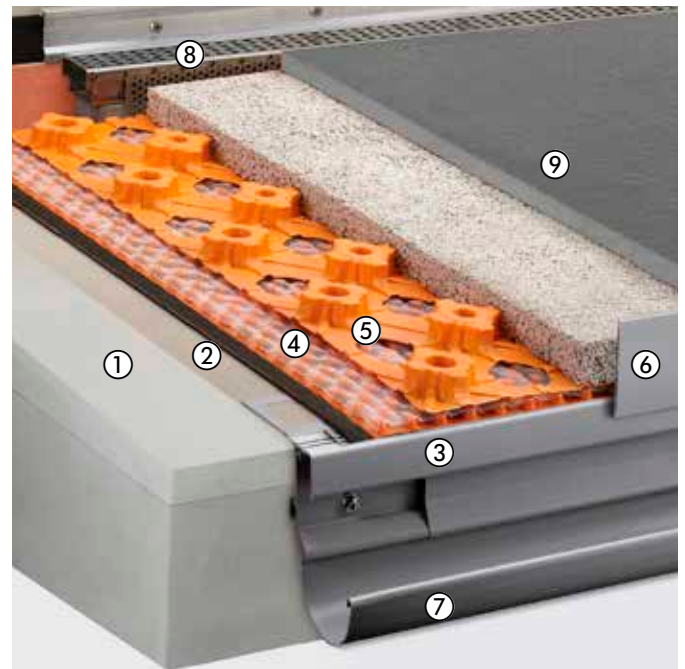
A waterproofing assembly that meets the requirements of DIN 18531 protects the support structure. Schlüter-TROBA-PLUS is installed as a drainage membrane between this support structure and the thin-layer Schlüter-BEKOTEC-DRAIN screed. The passive capillary bonded drainage membrane Schlüter-DITRA-DRAIN provides broad ventilation of the top covering, which promotes the quick and even curing of the adhesive.



- ① Sloped substrate –
- ② Waterproofing –
- ③ Schlüter®-BARA-RTK Page 313
- ④ Schlüter®-TROBA-PLUS Page 299
- ⑤ Schlüter®-BEKOTEC-DRAIN Page 298
- ⑥ Schlüter®-KERDI-KEBA Page 191
- Schlüter®-KERDI-COLL Page 198
- ⑦ Schlüter®-DITRA-DRAIN 4 Page 297
- ⑧ Schlüter®-DILEX-EKE Page 140
- Schlüter®-DILEX-EF Page 140
- Schlüter®-DILEX-EK Page 142
- Schlüter®-DILEX-RF Page 141
- ⑨ Schlüter®-RONDEC Page 72
- Schlüter®-JOLLY Page 82
- Schlüter®-QUADEC Page 63
- ⑩ Schlüter®-BARA-RT Page 324
- ⑪ Schlüter®-BARIN Page 334
- ⑫ Tile or natural stone covering –

Thin covering assembly over waterproofing layers in mortar beds according to DIN 18531

A waterproofing assembly that meets the requirements of DIN 18531 protects the support structure. Schlüter-TROBA-PLUS 8G is installed as a drainage membrane between the waterproofing layer and the load distribution layer (screed) to drain away seepage. This load distribution layer of cementitious or pervious mortar is installed as a thin layer, using the Schlüter-BEKOTEC-DRAIN system. The natural stone pavers are embedded in the fresh mortar.



- ① Sloped substrate –
- ② Waterproofing –
- ③ Schlüter®-BARA-RTK Page 313
- ④ Schlüter®-TROBA-PLUS 8G Page 300
- ⑤ Schlüter®-BEKOTEC-DRAIN Page 298
- ⑥ Schlüter®-BARA-RT Page 324
- ⑦ Schlüter®-BARIN Page 334
- ⑧ Schlüter®-TROBA-LINE-TL Page 307
- ⑨ Tile or natural stone covering –

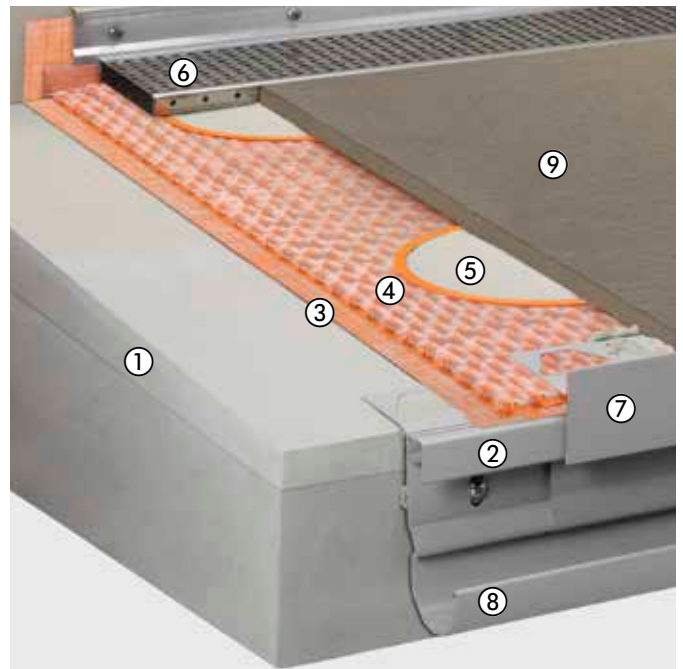
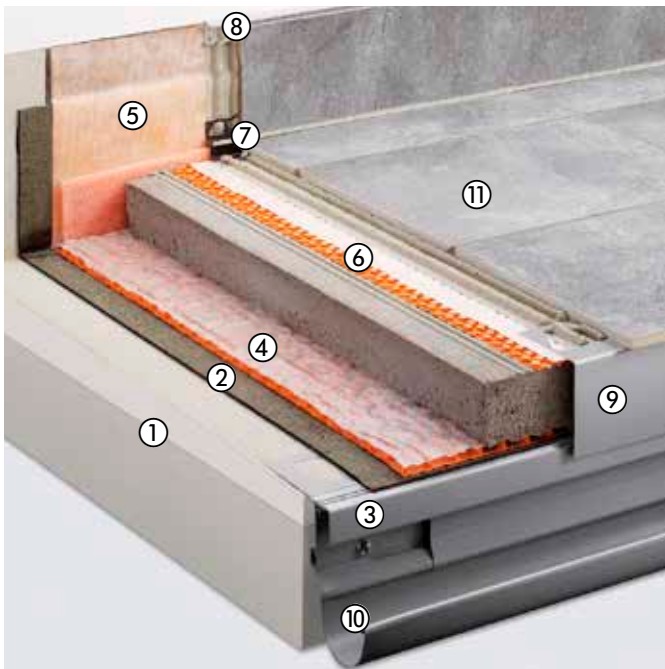


Covering assembly over waterproofing layers according to DIN 18531

A waterproofing assembly that meets the requirements of DIN 18531 protects the support structure. Schlüter-TROBA-PLUS is installed as a drainage membrane between the waterproofing layer and the screed. The passive capillary bonded drainage and uncoupling membrane Schlüter-DITRA-DRAIN provides broad ventilation of the top covering, which promotes the quick and even curing of the adhesive.

Unbonded installation over Schlüter®-TROBA-PLUS 8G

The high-impact area drainage Schlüter-TROBA-PLUS 8G forms the support layer for self-supporting pavers and guarantees the quick drainage of seepage entering through the open joints between the pavers over the drainage assembly created with Schlüter-KERDI 200. Schlüter-TROBA-STELZ-DR are used as casting mould rings to create evenly spaced support points of mortar for the self-supporting pavers. The casting mould rings can be removed after the installation of the mortar and reused in other applications.

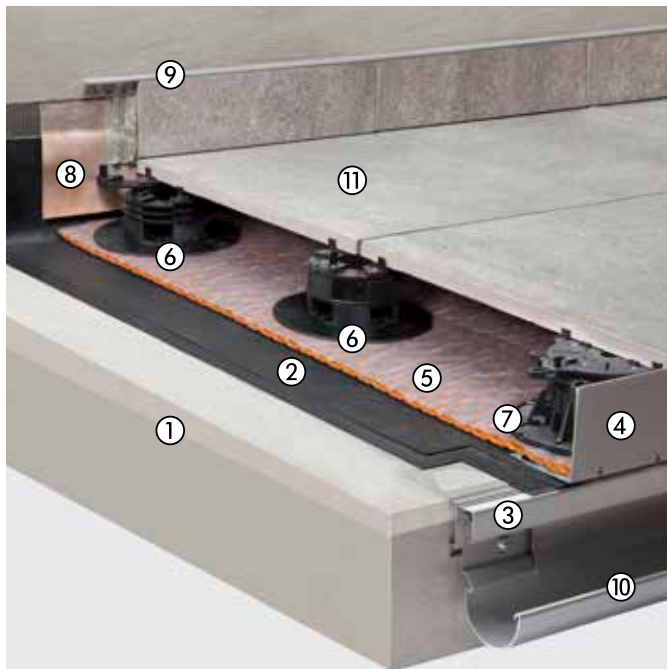


- ① Sloped substrate –
- ② Waterproofing –
- ③ Schlüter®-BARA-RTK Page 313
- ④ Schlüter®-TROBA-PLUS Page 299
- ⑤ Schlüter®-KERDI-KEBA Page 191
- Schlüter®-KERDI-COLL Page 198
- ⑥ Schlüter®-DITRA-DRAIN 4 Page 297
- Schlüter®-DITRA-DRAIN 8 Page 298
- ⑦ Schlüter®-DILEX-EKE Page 140
- Schlüter®-DILEX-EF Page 140
- Schlüter®-DILEX-EK Page 142
- Schlüter®-DILEX-RF Page 141
- ⑧ Schlüter®-RONDEC Page 72
- Schlüter®-JOLLY Page 82
- Schlüter®-QUADEC Page 63
- ⑨ Schlüter®-BARA-RW Page 321
- ⑩ Schlüter®-BARIN Page 334
- ⑪ Tile or natural stone covering –

- ① Sloped substrate –
- ② Schlüter®-BARA-RTK Page 313
- ③ Schlüter®-KERDI 200 Page 296
- ④ Schlüter®-TROBA-PLUS 8G Page 300
- ⑤ Schlüter®-TROBA-STELZ-DR Page 302
- ⑥ Schlüter®-TROBA-LINE-TL Page 307
- ⑦ Schlüter®-BARA-RT Page 324
- ⑧ Schlüter®-BARIN Page 334
- ⑨ Tile or natural stone pavers –

Covering assembly over pedestal supports

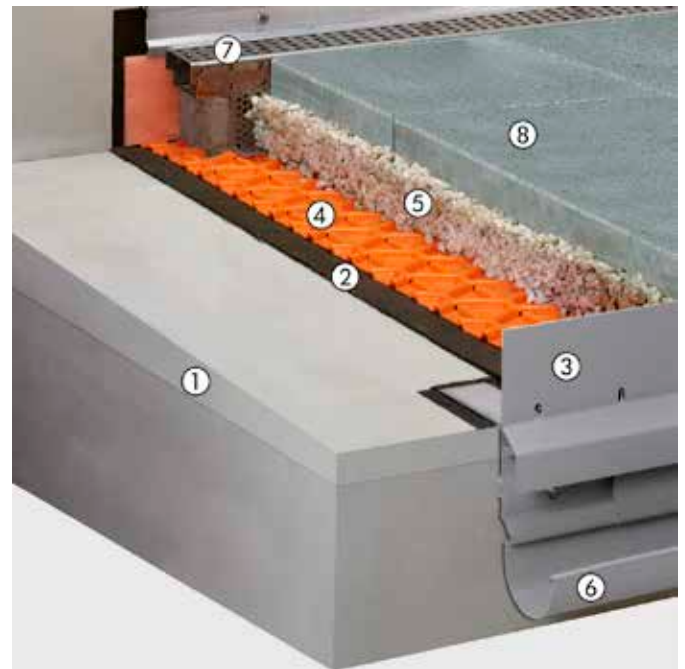
The variably combinable Schlüter-TROBA-LEVEL pedestal supports create a full-area sub structure for coverings made of self-supporting, large format paver elements. Depending on the requirements of the construction site, the level and slope of the surface can be precisely adjusted. Additionally, the assembly ensures the fast drainage of water permeating through the open paver joints.



- ① Sloped substrate –
- ② Waterproofing where required area drainage can be provided with Schlüter®-TROBA-PLUS –
- ③ Schlüter®-BARA-RTK Page 313
- ④ Schlüter®-BARA-RWL Page 327
- ⑤ Schlüter®-TROBA-PLUS Page 299
- ⑥ Schlüter®-TROBA-LEVEL-PLA 30 Page 305
- ⑦ Schlüter®-TROBA-LEVEL-PLV 60 Page 305
- ⑧ Schlüter®-KERDI-KEBA Page 191
Schlüter®-KERDI-COLL Page 198
- ⑨ Schlüter®-RONDEC Page 72
Schlüter®-JOLLY Page 82
Schlüter®-QUADEC Page 63
- ⑩ Schlüter®-BARIN Page 334
- ⑪ Tile or natural stone pavers –

Covering assembly over gravel/crushed stone

The area drainage membrane Schlüter-TROBA serves as a protection and separating layer over the waterproofing assembly and protects it from the impression of individual gravel pieces. Additionally, the product prevents the formation of “ice concrete” when water freezes on the waterproofing assembly. It also allows for the permanently effective drainage of water permeating through the open joints between the self-supporting pavers. Thanks to the special shape of the trapezoid-shaped studs, loads are directly transferred to the waterproof substrate.



- ① Sloped substrate –
- ② Waterproofing –
- ③ Schlüter®-BARA-RKL Page 331
- ④ Schlüter®-TROBA Page 301
- ⑤ Gravel or crushed stone layer –
- ⑥ Schlüter®-BARIN Page 334
- ⑦ Schlüter®-TROBA-LINE-TL Page 307
- ⑧ Tile or natural stone pavers –



Permanent installation

With waterproofing and uncoupling

Given the consistent weather exposure in outdoor areas, waterproofing and uncoupling of unbonded tile coverings on balconies and terraces is especially relevant. The proven system solutions Schlüter-DITRA and Schlüter-DITRA-DRAIN enable the tile covering to move independently of the substrate to avoid the build-up of stresses in the assembly. These systems have been used successfully in outdoor areas all over the world for many years.



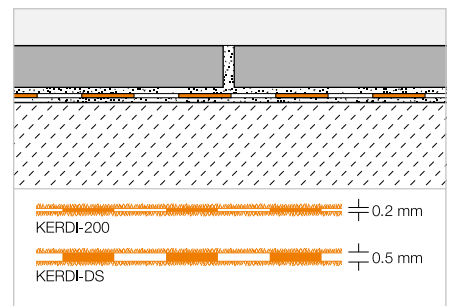
© Villeroy & Boch

Bonded waterproofing

Schlüter®-KERDI



Schlüter-KERDI is a polyethylene waterproofing membrane with an anchoring fleece laminated on both sides. It is particularly well suited for outdoor waterproofing below surface drainage assemblies with Schlüter-TROBA-PLUS or bonded drainage assemblies with Schlüter-DITRA-DRAIN.
(Product data sheet 8.1)



Schlüter®-KERDI 200

polyethylene rolls

L (m)	m ²	width = 1.00 m Art. No.	€ / m ²	PL (Roll)
5	5	KERDI 200 / 5M	23.93	75
10	10	KERDI 200 / 10M	21.60	50
30	30	KERDI 200	19.66	20
width = 1.50 m				
20	30	KERDI 200 150 / 20M	19.66	20
width = 2.00 m				
15	30	KERDI 200 200 / 15M	19.66	20

Schlüter®-KERDI-DS

polyethylene rolls, vapour barrier

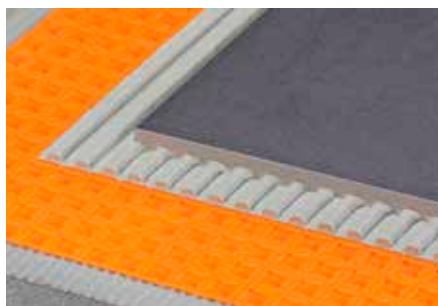
L (m)	width = 1.00 m Art. No.	€ / m ²	PL (Roll)
30	KERDI-DS	22.70	25

Tool tip:

Schlüter-TROWEL, 4 x 4 notching, see page 339.

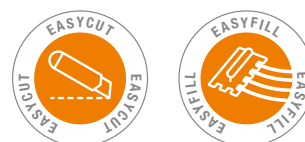
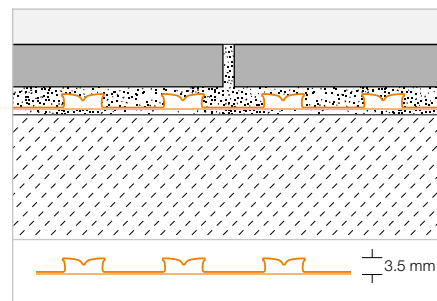
Bonded uncoupling

Schlüter®-DITRA



Schlüter-DITRA is a polypropylene membrane with square, dovetailed EasyFill recesses and an anchoring fleece laminated to the underside. In conjunction with tiled coverings, Schlüter-DITRA forms an uncoupling, bonded waterproofing and vapour pressure equalisation layer.

(Product data sheet 6.1)



Schlüter®-DITRA

polypropylene rolls

L x B = m ²	Art. No.	€ / m ²	PL (Roll)
5.1 x 0.995 = 5	D 5M	23.18	22
30.2 x 0.995 = 30	D 30M	19.21	6

Tool tip:

Schlüter-TROWEL, 4 x 4 notching, see page 339.



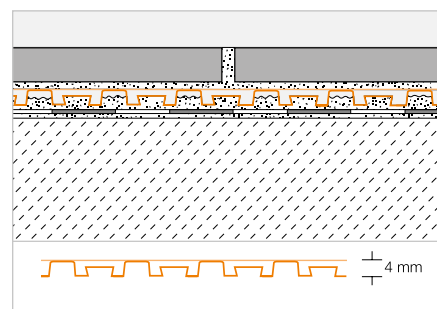
Bonded drainage

Schlüter®-DITRA-DRAIN 4



Schlüter-DITRA-DRAIN 4 is an impact resistant polyethylene mat with a special stud structure on one side and a polypropylene webbing laminated on the upper side. It is a universal substrate for tile coverings, which serves as an uncoupling layer and a permanently effective passive capillary drainage mat.

(Product data sheet 6.2)



Schlüter®-DITRA-DRAIN 4

polyethylene rolls

L (m)	width = 1.00 m Art. No.	€ / m ²	PL (Roll)
10	DITRA-DRAIN 10M	24.19	12
25	DITRA-DRAIN 25M	21.83	6

Tool tip:

Schlüter-TROWEL, 6 x 6 notching, see page 339.

Schlüter®-DITRA-DRAIN-STU

self-adhesive joint tape

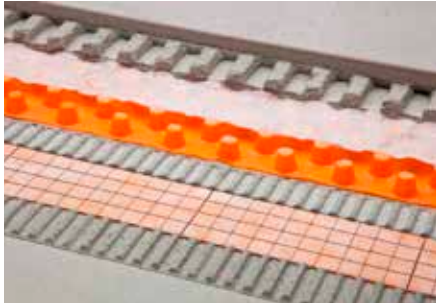
L (m)	width = 90 mm Art. No.	€ / m	P (Unit)
5	STUV KB 90/ 5M	8.16	10
30	STUV KB 90/30M	7.22	10



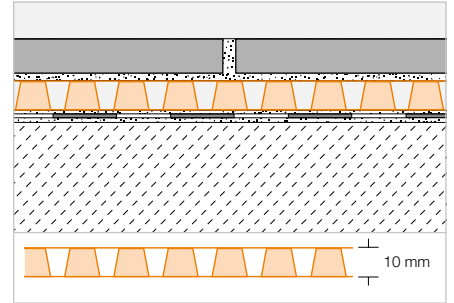


Bonded drainage

Schlüter®-DITRA-DRAIN 8



Schlüter-DITRA-DRAIN 8 is an impact resistant polyethylene mat with a special stud structure. It features a fleece fabric on the underside for bonding with the tile adhesive and a special fleece on the top. Schlüter-DITRA-DRAIN 8 is a universal substrate for tile coverings, which serves as an uncoupling layer and a permanently effective passive capillary bonded drainage mat. (Product data sheet 6.2)



Schlüter®-DITRA-DRAIN 8

polyethylene rolls

L (m)	width = 1.00 m Art. No.	€ / m ²	PL (Roll)
12.5	DITRA-DRAIN 8 12M	23.18	6

Schlüter®-DITRA-DRAIN-STU

self-adhesive joint tape

L (m)	width = 90 mm Art. No.	€ / m	P (Unit)
5	STUV KB 90/ 5M	8.16	10
30	STUV KB 90/30M	7.22	10

Tool tip:

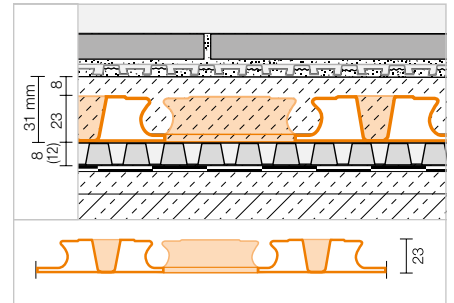
Schlüter-TROWEL, 4 x 4 notching, see page 339.

Studded panel

Schlüter®-BEKOTEC-DRAIN



Schlüter-BEKOTEC-DRAIN is a safe and especially thin cover assembly system for damage free and functionally safe floating screeds in outdoor areas with ceramic tile or natural stone coverings, for example in conjunction with TROBA-PLUS. (Product data sheet 9.3)



Schlüter®-BEKOTEC-EN 23 FD

system panel

120 x 90 cm = 1.08 m ² Art. No.	€ / m ²	P (Unit)
EN 23 FD	19.89	20



Schlüter®-TROBA-PLUS

Quick installation – high impact resistance



- ✓ Surface drainage for exterior coverings
- ✓ Passive capillary drainage
- ✓ Full-area stiling 8 or 12 mm
- ✓ Full load transfer up to 39 t/m²

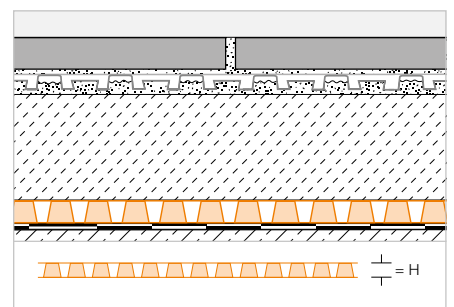
Drainage

Schlüter®-TROBA-PLUS



Schlüter-TROBA-PLUS is a durable and reliable sub surface drainage system that prevents the possibility of capillary action. The closely positioned conical studs can withstand heavy loads and are covered by a water permeable fleece webbing. The studded mat raises the entire surface assembly, creating a continuous drainage area.

(Product data sheet 7.2)



Schlüter®-TROBA-PLUS 8

polyethylene rolls

H (mm)	12.5 x 1 m = 12.5 m ² Art. No.	€ / m ²	PL (Roll)
8	TROBA-PLUS 8	20.22	6

Schlüter®-TROBA-PLUS 12

polyethylene rolls

H (mm)	10 x 1 m = 10 m ² Art. No.	€ / m ²	PL (Roll)
12	TROBA-PLUS 12	22.32	6

Schlüter®-DITRA-DRAIN-STU

self-adhesive joint tape

L (m)	width = 90 mm Art. No.	€ / m	P (Unit)
5	STUV KB 90/ 5M	8.16	10
30	STUV KB 90/30M	7.22	10



Schlüter®-TROBA-PLUS-G

Passive capillary surface drainage

Proven product for safe drainage of any moisture from balconies and terraces:

- ✓ Particularly well suited for combination with pervious mortar
- ✓ Passive capillary surface drainage
- ✓ High loading capacity up to 39 t/m²
- ✓ Covering is fully supported due to truncated conical studs
- ✓ Continuous sub surface space provides ventilation and drainage



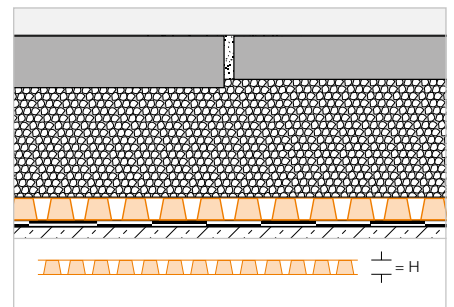
© Villeroy & Boch

Drainage

Schlüter®-TROBA-PLUS-G



Schlüter-TROBA-PLUS-G is a durable and reliable sub surface drainage system that prevents the possibility of capillary action. The closely positioned conical studs can withstand heavy loads and are covered by a water permeable fleece webbing. The studded mat raises the entire surface assembly, creating a continuous drainage area. Schlüter-TROBA-PLUS 8G is especially suitable for combination with drainage screeds.
(Product data sheet 7.2)



Schlüter®-TROBA-PLUS 8G

polyethylene rolls

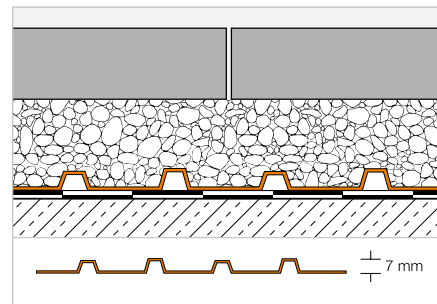
H (mm)	12.5 x 1 m = 12.5 m ² Art. No.	€ / m ²	PL (Roll)
8	TROBA-PLUS 8G	23.61	6

Drainage

Schlüter®-TROBA



Schlüter-TROBA is a separation and drainage layer for use above a horizontal waterproofing layer and below a screed or gravel layer. It consists of a pressure stable polyethylene sheet with perforated studs for reliable drainage. Tile applications above screeds require the installation of Schlüter-DITRA as an uncoupling and waterproofing membrane. (Product data sheet 7.1)



Schlüter®-TROBA-MA

polyethylene mats

1 x 1 m = 1 m ² Art. No.	€ / m ²	PL (Unit)
TROBA-MA	18.49	220

Schlüter®-TROBA-RO

polyethylene rolls

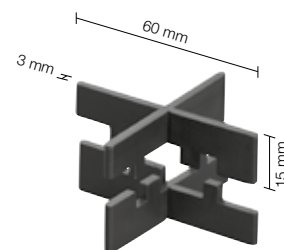
20 x 1 m = 20 m ² Art. No.	€ / m ²	PL (Roll)
TROBA-RO	17.93	6

Tile spacer

Schlüter®-TROBA-ZFK



Schlüter-TROBA-ZFK are spacers that ensure an even joint appearance of unbonded assemblies of ceramic, natural stone or concrete pavers in gravel or split stone beds, for example over Schlüter-TROBA. The joint width is 3 mm, the height of the spacers is 15 mm. A height of 30 mm can be achieved by clipping the tile spacers together. (Product data sheet 7.6)



Schlüter®-TROBA-ZFK

tile spacer (3 mm)

H (mm)	Art. No.	€ / Package	P (Package)
15	TZ FK 3	19.02	60

Package = 50 units



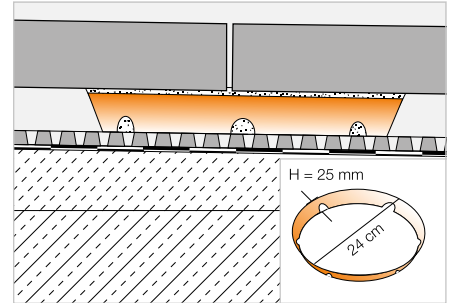
Support system

Schlüter®-TROBA-STELZ-MR



Schlüter-TROBA-STELZ-MR are plastic rings that provide assistance in laying large format pavers on balconies and terraces. The 25 mm high plastic rings are positioned at the cross joints where the pavers meet and are filled with mortar.

(Product data sheet 7.3)



Schlüter®-TROBA-STELZ-MR

plastic ring

Art. No.	€ / U.	PL (Unit)
TROBA-STELZ	1.48	3000

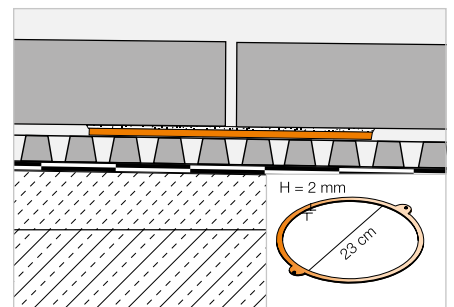
Package = 50 units

Schlüter®-TROBA-STELZ-DR



Schlüter-TROBA-STELZ-DR are formwork rings for thin bed mortar installed over Schlüter-TROBA-PLUS. After the installation of mortar, the rings can either remain in place or be removed and reused.

(Product data sheet 7.5)



Schlüter®-TROBA-STELZ-DR

plastic ring

Art. No.	€ / Package	P (Package)
TROBA-STELZ-DR	11.93	100

Package = 10 units

Large formats

Systematic installation

Large tile and stone formats in thicknesses of 2 cm (20 mm) are common for balconies and terraces, installed as unbonded applications with open joints. Schlüter-Systems has all the right materials for these installations in external areas. These include Schlüter-TROBA-LEVEL (see from page 304), Schlüter-TROBA-PLUS 8G (see page 300 and Schlüter-TROBA-STELZ-DR (see page 302) as well as Schlüter-BARA-RKL (see page 328).





Schlüter®-TROBA-LEVEL

Unbonded installation – reliable millimetre precision



With Schlüter-TROBA-LEVEL, you can quickly install self-supporting pavers on balconies and terraces with lasting precision. The small number of different product components can be variably combined to reliably level virtually any slope and construction site situation. Starting from assembly heights of 3 mm!

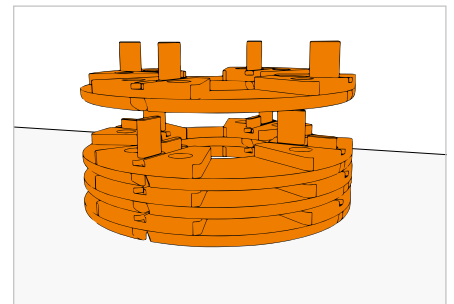
- ✓ **Levelling uneven areas, e.g. above welded waterproofing joints**
- ✓ **Stable installation with millimetre-precision levelling**
- ✓ **Anti-twist protection**
- ✓ **Vibration lock – prevents twisting in case of vibrations**

Support system

Schlüter®-TROBA-LEVEL-PL 10



Schlüter-TROBA-LEVEL-PL 10 are stackable supports for tiles and pavers – regardless of their format and thickness. They are made of a special synthetic material with sound insulation effect and can be installed directly over the waterproofing assembly. The 3 mm connectors enable consistent joint appearance and are able to absorb movements in the covering. TROBA-LEVEL-PL 10 can be stacked up to a height of 200 mm and can also be combined with other supports of the product range.



(Product data sheet 7.6)

Schlüter®-TROBA-LEVEL-PL 10

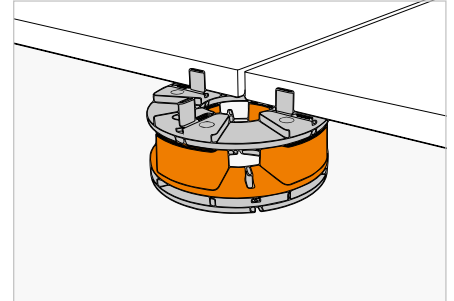
PE supports, diameter 120 mm

H (mm)	Art. No.	€ / U.	P (Unit)
10	TL PL 10	3.14	100

Support system

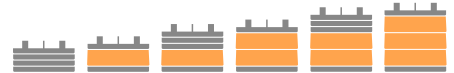
Schlüter®-TROBA-LEVEL-PLA 30

Schlüter-TROBA-LEVEL-PLA 30 are height adapters for supported tile and paver coverings. From an assembly height of 50 mm, one or more TROBA-LEVEL-PLA 30 adapters can be inserted between two Schlüter-TROBA-LEVEL-PL 10 paver supports. TROBA-LEVEL-PLA 30 can be stacked up to a height of 300 mm and can be combined with the paver supports TROBA-LEVEL-PLV 60 and TROBA-LEVEL-LV 3. (Product data sheet 7.6)

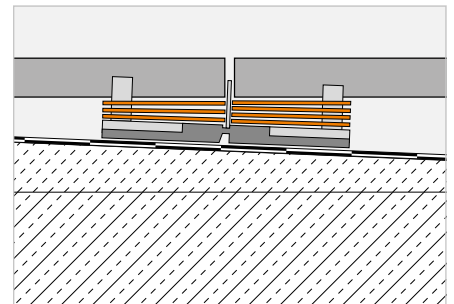
**Schlüter®-TROBA-LEVEL-PLA 30**

PE adapter, diameter 120 mm

H (mm)	Art. No.	€ / U.	P (Unit)
30	TL PLA 30	3.80	52

**Schlüter®-TROBA-LEVEL-AP 1**

Schlüter-TROBA-LEVEL-AP 1 levelling shims help to adjust the pavers in various slope situations. Differences in tile and paver thickness, uneven areas in the ground or a minor slope can be adjusted by up to 10 mm per corner. (Product data sheet 7.6)

**Schlüter®-TROBA-LEVEL-AP 1**

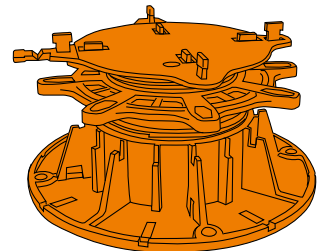
PE levelling shims, cut into quarters

H (mm)	Art. No.	€ / Package	P (Package)
1	TL AP 1	41.21	8

Package = 250 units

Schlüter®-TROBA-LEVEL-PLV 60

Schlüter-TROBA-LEVEL-PLV 60 are adjustable supports that can be variably adjusted from 60 - 130 mm with an adjustment ring, utilising the two opposing threads. The identical support at the head (diameter 120 mm) enables individual stacking in combination with TROBA-LEVEL-PL 10 and -PLA 30. If necessary, TROBA-LEVEL-AP 1 levelling shims can be used for precision adjustment and slope levelling. Assembly heights up to 520 mm can be achieved by stacking two or more TROBA-LEVEL-PLV 60 units. The support head is equipped with 3 mm connectors and features an additional perimeter spacer. (Product data sheet 7.6)

**Schlüter®-TROBA-LEVEL-PLV 60**

PP support, bottom plate diameter 200 mm

H (mm)	Art. No.	€ / U.	P (Unit)
60-130	TL PLV 60	12.18	48

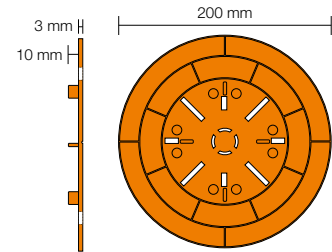


Support system

Schlüter®-TROBA-LEVEL-LV 3



Schlüter-TROBA-LEVEL-LV 3 are paver supports for load distribution in conjunction with TROBA-LEVEL-PL 10, -PLA 30 and -AP 1. The paver supports also allow for creating structures with low assembly heights. TROBA-LEVEL-LV 3 can be cut to size and features 3 mm connectors. (Product data sheet 7.6)



Schlüter®-TROBA-LEVEL-LV 3

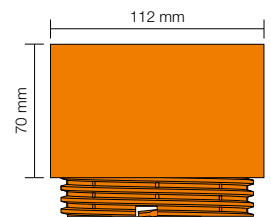
PP supports, diameter 200 mm

H (mm)	Art. No.	€ / U.	P (Unit)
3	TL LV 3	5.06	100

Schlüter®-TROBA-LEVEL-PLA 70



Schlüter-TROBA-LEVEL-PLA 70 are height adapters for supported tile and paver coverings. They are screwed into the paver support bottom of TROBA-LEVEL-PLV 60. (Product data sheet 7.6)



Schlüter®-TROBA-LEVEL-PLA 70

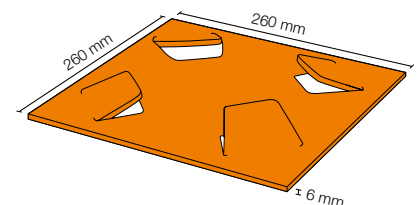
PP adapter

H (mm)	Art. No.	€ / U.	P (Unit)
70	TL PLA 70	7.73	30

Schlüter®-TROBA-LEVEL-PLS 6



Schlüter-TROBA-LEVEL-PLS 6 are waterproof layer protection pads made of granulated rubber. The paver support bottom of TROBA-LEVEL-PLV 60 or TROBA-LEVEL-LV 3 must be attached in the slit cuts of the protective pads TROBA-LEVEL-PLS 6 (6 mm). In the case of PVC waterproofing assemblies, the aluminium separating layer of the protective pads must be installed face down. If using TROBA-LEVEL-PL 10, these must be placed in the centre of the pads. (Product data sheet 7.6)



Schlüter®-TROBA-LEVEL-PLS 6

granulated rubber

H (mm)	Art. No.	€ / Package	P (Package)
6	TL PLS 6	32.33	5

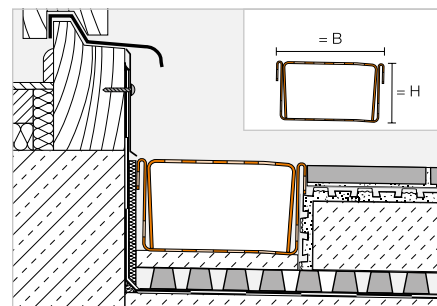
Package = 10 units

Drainage channel | reinforcement

Schlüter®-TROBA-LINE-TL



Schlüter-TROBA-LINE-TL is a stainless steel drainage channel that can be installed at low levels to create doorsill or wall connections on balconies and terraces to prevent water accumulation. This can also be used as an area drainage channel.
(Product data sheet 7.4)



Schlüter®-TROBA-LINE-TL

stainless steel V2A perforated channel,
B = 75 mm

H (mm)	L = 2.00 m Art. No.	€ / U.	KV (Unit)
20	TL2 V2A 75/200	233.91	60
40	TL4 V2A 75/200	278.51	60
	L = 1.50 m		
20	TL2 V2A 75/150	180.63	60
40	TL4 V2A 75/150	214.12	60
	L = 1.00 m		
20	TL2 V2A 75/100	127.37	60
40	TL4 V2A 75/100	149.70	60
	L = 0.75 m		
20	TL2 V2A 75/ 75	100.74	60
40	TL4 V2A 75/ 75	117.47	60

Schlüter®-TROBA-LINE-TL

stainless steel V2A perforated channel,
B = 110 mm

H (mm)	L = 2.00 m Art. No.	€ / U.	KV (Unit)
20	TL2 V2A 110/200	275.46	40
40	TL4 V2A 110/200	320.06	40
	L = 1.50 m		
20	TL2 V2A 110/150	211.85	40
40	TL4 V2A 110/150	245.29	40
	L = 1.00 m		
20	TL2 V2A 110/100	148.18	40
40	TL4 V2A 110/100	170.49	40
	L = 0.75 m		
20	TL2 V2A 110/ 75	116.36	40
40	TL4 V2A 110/ 75	133.07	40

Schlüter®-TROBA-LINE-TL

stainless steel V2A perforated channel,
B = 160 mm

H (mm)	L = 2.00 m Art. No.	€ / U.	KV (Unit)
20	TL2 V2A 160/200	336.77	40
40	TL4 V2A 160/200	381.37	40
	L = 1.50 m		
20	TL2 V2A 160/150	257.81	40
40	TL4 V2A 160/150	291.22	40
	L = 1.00 m		
20	TL2 V2A 160/100	178.82	40
40	TL4 V2A 160/100	201.09	40
	L = 0.75 m		
20	TL2 V2A 160/ 75	139.34	40
40	TL4 V2A 160/ 75	156.07	40

Schlüter®-TROBA-LINE-TLG

stainless steel V2A closed bottom channel,
B = 75 mm

H (mm)	L = 2.00 m Art. No.	€ / U.	KV (Unit)
20	TLG2 V2A 75/200	233.91	60
40	TLG4 V2A 75/200	278.51	60
	L = 1.50 m		
20	TLG2 V2A 75/150	180.63	60
40	TLG4 V2A 75/150	214.12	60
	L = 1.00 m		
20	TLG2 V2A 75/100	127.37	60
40	TLG4 V2A 75/100	149.70	60
	L = 0.75 m		
20	TLG2 V2A 75/ 75	100.74	60
40	TLG4 V2A 75/ 75	117.47	60

Schlüter®-TROBA-LINE-TLG

stainless steel V2A closed bottom channel,
B = 110 mm

H (mm)	L = 2.00 m Art. No.	€ / U.	KV (Unit)
20	TLG2 V2A 110/200	275.46	40
40	TLG4 V2A 110/200	320.06	40
	L = 1.50 m		
20	TLG2 V2A 110/150	211.85	40
40	TLG4 V2A 110/150	245.29	40
	L = 1.00 m		
20	TLG2 V2A 110/100	148.18	40
40	TLG4 V2A 110/100	170.49	40
	L = 0.75 m		
20	TLG2 V2A 110/ 75	116.36	40
40	TLG4 V2A 110/ 75	133.07	40

Schlüter®-TROBA-LINE-TLG

stainless steel V2A closed bottom channel,
B = 160 mm

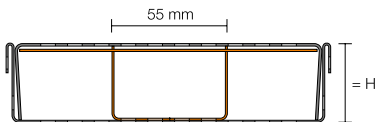
H (mm)	L = 2.00 m Art. No.	€ / U.	KV (Unit)
20	TLG2 V2A 160/200	336.77	40
40	TLG4 V2A 160/200	381.37	40
	L = 1.50 m		
20	TLG2 V2A 160/150	257.81	40
40	TLG4 V2A 160/150	291.22	40
	L = 1.00 m		
20	TLG2 V2A 160/100	178.82	40
40	TLG4 V2A 160/100	201.09	40
	L = 0.75 m		
20	TLG2 V2A 160/ 75	139.34	40
40	TLG4 V2A 160/ 75	156.07	40



Schlüter®-TROBA-LINE-TL/V

reinforcement for TL and TLG, stainless steel V2A

H (mm)	L = 2.00 m Art. No.	€ / U.	KV (Unit)
20	TL2 V / 200	106.99	60
40	TL4 V / 200	133.34	60
	L = 1.50 m		
20	TL2 V / 150	80.25	60
40	TL4 V / 150	99.99	60



Schlüter®-TROBA-LINE-TL/V

reinforcement for TL and TLG, stainless steel V2A

H (mm)	L = 1.00 m Art. No.	€ / U.	KV (Unit)
20	TL2 V / 100	53.46	60
40	TL4 V / 100	66.71	60
	L = 0.75 m		
20	TL2 V / 75	40.09	60
40	TL4 V / 75	49.99	60

Note:

Two end covers/connectors are enclosed with each Schlüter-TROBA-LINE-TL drainage channel.

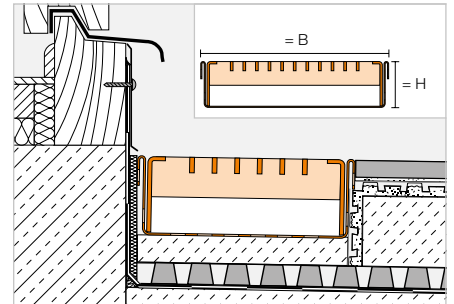
In the event of higher traffic loads, e.g. from foot traffic or wheelchairs, it is recommended to use the reinforcement Schlüter-TROBA-LINE-TL/V for 110 and 160 mm widths (please order separately).

Drainage channel

Schlüter®-TROBA-LINE-TLR



Schlüter-TROBA-LINE-TLR is a drainage channel with a lower part of stainless steel and an upper drainage grate of galvanised steel. It can be installed at low levels to create doorsill or wall connections on balconies and terraces to prevent water accumulation. It can also be used as an area drainage channel for higher water quantities. (Product data sheet 7.4)



Schlüter®-TROBA-LINE-TLR

perforated channel with galvanised grate, B = 110 mm

H (mm)	L = 2.00 m Art. No.	€ / U.	KV (Unit)
20	TL2 R 110/200	286.88	40
40	TL4 R 110/200	410.68	40
	L = 1.50 m		
20	TL2 R 110/150	238.35	40
40	TL4 R 110/150	349.40	40
	L = 1.00 m		
20	TL2 R 110/100	153.84	40
40	TL4 R 110/100	215.78	40
	L = 0.75 m		
20	TL2 R 110/ 75	129.60	40
40	TL4 R 110/ 75	185.16	40

Schlüter®-TROBA-LINE-TLR

perforated channel with galvanised grate, B = 160 mm

H (mm)	L = 2.00 m Art. No.	€ / U.	KV (Unit)
20	TL2 R 160/200	348.12	40
40	TL4 R 160/200	468.09	40
	L = 1.50 m		
20	TL2 R 160/150	289.63	40
40	TL4 R 160/150	397.81	40
	L = 1.00 m		
20	TL2 R 160/100	184.50	40
40	TL4 R 160/100	244.50	40
	L = 0.75 m		
20	TL2 R 160/ 75	155.24	40
40	TL4 R 160/ 75	209.31	40

Note:

Two end covers/connectors are enclosed with each TROBA-LINE-TLR drainage channel.

The grate of TROBA-LINE-TLR in lengths of 1.50 m and 2.00 m consists of two parts, respectively (2 x 0.75 m or 2 x 1.00 m).

Schlüter®-TROBA-LINE-TLGR

closed channel with galvanised grate, B = 110 mm

H (mm)	L = 2.00 m Art. No.	€ / U.	KV (Unit)
40	TLG4 R 110/200	410.68	40
	L = 1.50 m		
40	TLG4 R 110/150	284.58	40
	L = 1.00 m		
40	TLG4 R 110/100	215.78	40
	L = 0.75 m		
40	TLG4 R 110/ 75	152.69	40

Schlüter®-TROBA-LINE-TLGR

closed channel with galvanised grate, B = 160 mm

H (mm)	L = 2.00 m Art. No.	€ / U.	KV (Unit)
40	TLG4 R 160/200	468.09	40
	L = 1.50 m		
40	TLG4 R 160/150	397.81	40
	L = 1.00 m		
40	TLG4 R 160/100	244.50	40
	L = 0.75 m		
40	TLG4 R 160/ 75	209.31	40

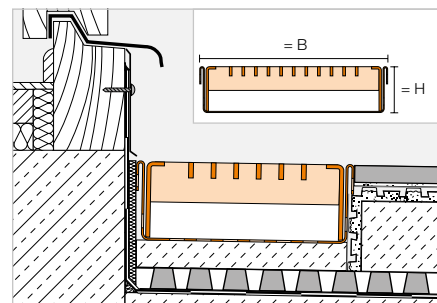
Drainage channel

Schlüter®-TROBA-LINE-TLR-E



Schlüter-TROBA-LINE-TLR-E is a drainage channel with an upper drainage grate made of polished stainless steel. It can be installed at low levels to create doorsill or wall connections on balconies and terraces to prevent water accumulation. It can also be used as an area drainage channel for higher water quantities.

(Product data sheet 7.4)

**Note:**

Two end covers/connectors are enclosed with each TROBA-LINE-TLR-E drainage channel.

The grate of TROBA-LINE-TLR-E in lengths of 1.50 m and 2.00 m consists of two parts, respectively (2 x 0.75 m or 2 x 1.00 m).

Schlüter®-TROBA-LINE-TLR-E

perforated channel with grate, stainless steel V2A, B = 110 mm

H (mm)	L = 2.00 m Art. No.	€ / U.	KV (Unit)
20	TL2 R EP 110/200	473.69	40
40	TL4 R EP 110/200	612.31	40
L = 1.50 m			
20	TL2 R EP 110/150	407.56	40
40	TL4 R EP 110/150	529.86	40
L = 1.00 m			
20	TL2 R EP 110/100	247.20	40
40	TL4 R EP 110/100	316.52	40
L = 0.75 m			
20	TL2 R EP 110/ 75	214.16	40
40	TL4 R EP 110/ 75	275.30	40

Schlüter®-TROBA-LINE-TLR-E

perforated channel with grate, stainless steel V2A, B = 160 mm

H (mm)	L = 2.00 m Art. No.	€ / U.	KV (Unit)
20	TL2 R EP 160/200	620.54	40
40	TL4 R EP 160/200	758.75	40
L = 1.50 m			
20	TL2 R EP 160/150	539.51	40
40	TL4 R EP 160/150	655.35	40
L = 1.00 m			
20	TL2 R EP 160/100	320.63	40
40	TL4 R EP 160/100	389.69	40
L = 0.75 m			
20	TL2 R EP 160/ 75	280.10	40
40	TL4 R EP 160/ 75	338.02	40

Schlüter®-TROBA-LINE-TLGR-E

closed channel with grate, stainless steel V2A, B = 110 mm

H (mm)	L = 2.00 m Art. No.	€ / U.	KV (Unit)
40	TLG4 R EP 110/200	612.31	40
L = 1.50 m			
40	TLG4 R EP 110/150	529.86	40
L = 1.00 m			
40	TLG4 R EP 110/100	316.52	40
L = 0.75 m			
40	TLG4 R EP 110/ 75	275.30	40

Schlüter®-TROBA-LINE-TLGR-E

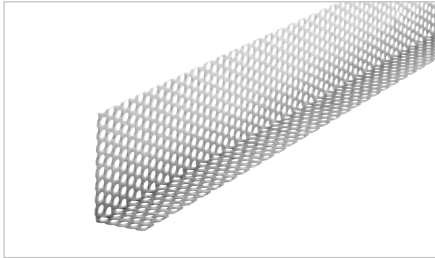
closed channel with grate, stainless steel V2A, B = 160 mm

H (mm)	L = 2.00 m Art. No.	€ / U.	KV (Unit)
40	TLG4 R EP 160/200	758.75	40
L = 1.50 m			
40	TLG4 R EP 160/150	655.35	40
L = 1.00 m			
40	TLG4 R EP 160/100	389.69	40
L = 0.75 m			
40	TLG4 R EP 160/ 75	338.02	40

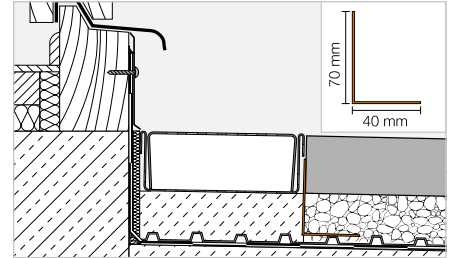


Gravel retaining angle

Schlüter®-TROBA-LINE-TLK-E



Schlüter-TROBA-LINE-TLK-E is a gravel retaining stainless steel angle to be used at the edge of coverings or load distribution layers.
(Product data sheet 7.4)



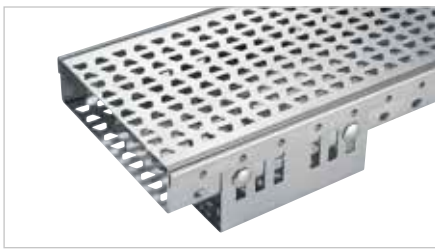
Schlüter®-TROBA-LINE-TLK-E

stainless steel V2A

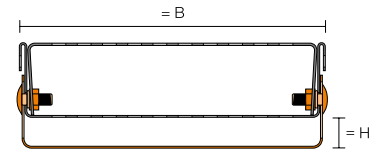
L (cm)	Art. No.	€ / U.	KV (Unit)
75	TLKE 4070 / 75	42.23	40
100	TLKE 4070 / 100	47.19	40

Height adjustment

Schlüter®-TROBA-LINE-TL/H



Schlüter-TROBA-LINE-TL/H is a height adjustment insert that allows for the seamless height adjustment of the perforated drainage channels Schlüter-TROBA-LINE-TL and Schlüter-TROBA-LINE-TLR with a height of 40 mm.
(Product data sheet 7.4)



Schlüter®-TROBA-LINE-TL/H

height adjustment insert, B = 75 mm

H (mm)	L = 135 mm Art. No.	€ / Set	KV (Set)
0-20	TL2 H 75*	24.77	40
20-40	TL4 H 75**	26.49	40

Variable heights * 0-20 mm / ** 20-40 mm

Schlüter®-TROBA-LINE-TL/H

height adjustment insert, B = 110 mm

H (mm)	L = 135 mm Art. No.	€ / Set	KV (Set)
0-20	TL2 H 110*	26.41	40
20-40	TL4 H 110**	28.15	40

Set of 4 screws

Schlüter®-TROBA-LINE-TL/H

height adjustment insert, B = 160 mm

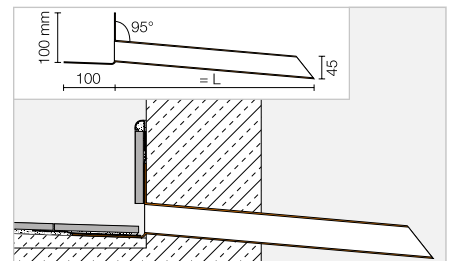
H (mm)	L = 135 mm Art. No.	€ / Set	KV (Set)
0-20	TL2 H 160*	28.84	40
20-40	TL4 H 160**	30.56	40

Spout

Schlüter®-KERDI-DRAIN-SP-E



Schlüter-KERDI-DRAIN-SP-E is a stainless steel spout for draining balconies and terraces that are enclosed by a parapet. The supplied Schlüter-KERDI collar is attached to the large adhesive flange for the simple and safe connection to waterproofing assemblies.
(Product data sheet 8.5)



Schlüter®-KERDI-DRAIN-SP-E

stainless steel V2A

L (cm)	Art. No.	€ / Set	P (Set)
25	KD SPE 45/25	122.52	10
40	KD SPE 45/40	130.18	10

Schlüter®-BARA balcony profiles

Cover, protect, support

No matter which balcony assembly you choose, the Schlüter-BARA assortment of balcony finishing profiles is sure to include the right edge profile. They cover the structural assembly and effectively protect the edges of balconies and terraces. On request, many of our edge profiles are also available with brackets for easy attachment of the high-quality BARIN gutter system.





Custom corners from Schlüter

Special solutions for your project

In trade work, the real challenges frequently are posed by installations that go beyond the norm. You can count on Schlüter-Systems as a partner in those situations as well. Will your next balcony project involve corners that require unconventional angles beyond customary 90° or 135° angles? We will be pleased to manufacture our proven internal and external corners for BARA and BARIN in a custom angle.

You can find more details on page 341.



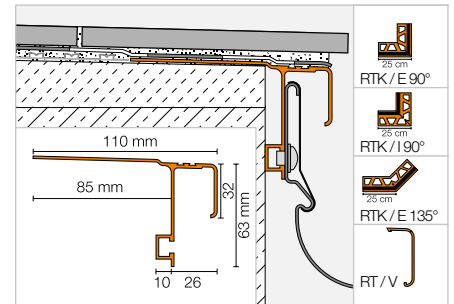
Edge support profile

Schlüter®-BARA-RTK



Schlüter-BARA-RTK is an edge profile with a drip edge for floor assemblies that have an existing sloped screed. The profile features a profile chamber for attaching the Schlüter-BARIN gutter system. Tiles may also be installed with an overhang. As an alternative, a Schlüter-JOLLY profile can be installed over the grooved transition to the drip lip to protect the edge of the tile.

(Product data sheet 5.9)



Schlüter®-BARA-RTK

colour coated aluminium

L = 2.50 m Art. No.	€ / m	KV (Unit)
RTK 30 ...*	43.78	40

Corner | end cap | connector

Schlüter®-BARA-RTK/E 90°

90° external corner

Art. No.	€ / U.	P (Unit)
E90 / RTK 30 ...*	55.60	10

Schlüter®-BARA-RTK/E 135°

135° external corner

Art. No.	€ / U.	P (Unit)
E135 / RTK 30 ...*	61.21	10

Schlüter®-BARA-RTK/I 90°

90° internal corner

Art. No.	€ / U.	P (Unit)
I90 / RTK 30 ...*	55.60	10

Schlüter®-BARA-RT/EK

end cap

Art. No.	€ / U.	P (Unit)
E / RT 30 ...*	3.19	50

Schlüter®-BARA-RTK/V

connector

Art. No.	€ / U.	P (Unit)
V / RT 30 ...*	3.28	50



To complete the art. no., add the colour (e.g. V / RT 30 RB)



* Colours: BW - GM - HB - PG - RB - SB

For an overview of finishes and colours, please see page 342.



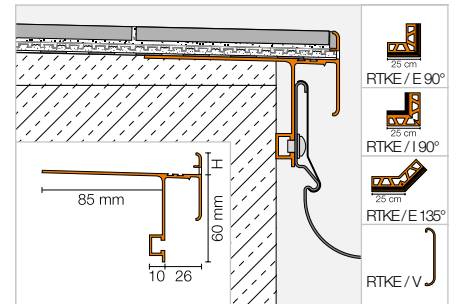
Edge support profile

Schlüter®-BARA-RTKE



Schlüter-BARA-RTKE is an edge profile with a drip edge for installation over finished sloped screeds. The profile features a profile chamber for attaching the Schlüter-BARIN gutter system. BARA-RTKE is especially suited for assemblies with the bonded drainage mat Schlüter-DITRA-DRAIN. The perforated outer edges give the exterior perimeter of tiled areas a neat appearance.

(Product data sheet 5.21)



Schlüter®-BARA-RTKE

colour coated aluminium

H (mm)	L = 2.50 m Art. No.	€ / m	KV (Unit)
10	RTKE 10 ...*	52.87	40
15	RTKE 15 ...*	53.43	40
18	RTKE 18 ...*	54.77	40
21	RTKE 21 ...*	55.92	40
23	RTKE 23 ...*	57.61	40

Note:

The 23 mm profile height is also suitable for use with Schlüter-DITRA-DRAIN 8.

Corner | connector

Schlüter®-BARA-RTKE/E 90°

90° external corner

H (mm)	Art. No.	€ / U.	P (Unit)
10	E90 / RTKE 10 ...*	63.84	10
15	E90 / RTKE 15 ...*	63.84	10
18	E90 / RTKE 18 ...*	63.84	10
21	E90 / RTKE 21 ...*	63.84	10
23	E90 / RTKE 23 ...*	63.84	10

Schlüter®-BARA-RTKE/E 135°

135° external corner

H (mm)	Art. No.	€ / U.	P (Unit)
10	E135 / RTKE 10 ...*	63.84	10
15	E135 / RTKE 15 ...*	63.84	10
18	E135 / RTKE 18 ...*	63.84	10
21	E135 / RTKE 21 ...*	63.84	10
23	E135 / RTKE 23 ...*	63.84	10

Schlüter®-BARA-RTKE/I 90°

90° internal corner

H (mm)	Art. No.	€ / U.	P (Unit)
10	I90 / RTKE 10 ...*	63.84	10
15	I90 / RTKE 15 ...*	63.84	10
18	I90 / RTKE 18 ...*	63.84	10
21	I90 / RTKE 21 ...*	63.84	10
23	I90 / RTKE 23 ...*	63.84	10

Schlüter®-BARA-RTKE/V

connector

H (mm)	Art. No.	€ / U.	P (Unit)
10	V / RTKE 10 ...*	3.57	50
15	V / RTKE 15 ...*	3.57	50
18	V / RTKE 18 ...*	3.57	50
21	V / RTKE 21 ...*	3.57	50
23	V / RTKE 23 ...*	3.57	50



To complete the art. no., add the colour (e.g. V / RTKE 10 PG)

GM PG

* Colours: GM - PG

For an overview of finishes and colours, please see page 342.

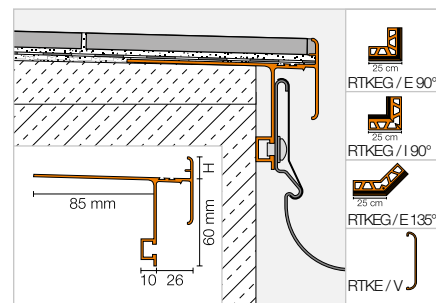
Edge support profile

Schlüter®-BARA-RTKEG



Schlüter-BARA-RTKEG is an edge profile with a drip edge for installation over finished sloped screeds. The profile features a profile chamber for attaching the Schlüter-BARIN gutter system. It is specifically designed for use with the bonded uncoupling membrane Schlüter-DITRA. The closed outer edges give the exterior perimeter of tiled areas a neat appearance.

(Product data sheet 5.21)



Schlüter®-BARA-RTKEG

colour coated aluminium

H (mm)	L = 2.50 m Art. No.	€ / m	KV (Unit)
4	RTKEG 4 ...*	41.52	40
10	RTKEG 10 ...*	42.07	40
15	RTKEG 15 ...*	42.81	40
18	RTKEG 18 ...*	44.26	40
21	RTKEG 21 ...*	45.34	40

Corner | connector

Schlüter®-BARA-RTKEG/E 90°

90° external corner

H (mm)	Art. No.	€ / U.	P (Unit)
4	E90 / RTKEG 4 ...*	57.48	10
10	E90 / RTKEG 10 ...*	57.48	10
15	E90 / RTKEG 15 ...*	57.48	10
18	E90 / RTKEG 18 ...*	57.48	10
21	E90 / RTKEG 21 ...*	57.48	10

Schlüter®-BARA-RTKEG/E 135°

135° external corner

H (mm)	Art. No.	€ / U.	P (Unit)
4	E135 / RTKEG 4 ...*	57.48	10
10	E135 / RTKEG 10 ...*	57.48	10
15	E135 / RTKEG 15 ...*	57.48	10
18	E135 / RTKEG 18 ...*	57.48	10
21	E135 / RTKEG 21 ...*	57.48	10

Schlüter®-BARA-RTKEG/I 90°

90° internal corner

H (mm)	Art. No.	€ / U.	P (Unit)
4	I90 / RTKEG 4 ...*	57.48	10
10	I90 / RTKEG 10 ...*	57.48	10
15	I90 / RTKEG 15 ...*	57.48	10
18	I90 / RTKEG 18 ...*	57.48	10
21	I90 / RTKEG 21 ...*	57.48	10

Schlüter®-BARA-RTKE/V

connector

H (mm)	Art. No.	€ / U.	P (Unit)
4	V / RTKE 4 ...*	3.57	50
10	V / RTKE 10 ...*	3.57	50
15	V / RTKE 15 ...*	3.57	50
18	V / RTKE 18 ...*	3.57	50
21	V / RTKE 21 ...*	3.57	50



To complete the art. no., add the colour (e.g. V / RTKE 4 PG)



* Colours: GM - PG

For an overview of finishes and colours, please see page 342.



BARA profiles now available in additional colours

New colour anthracite grey finish

The Schlüter-BARA product range is sure to include the right finishing profile for your balcony or terrace. Our eight most popular BARA profiles are now available in additional colours to give you an even greater design selection. The below overview shows which colours have been added for specific profiles.

- ✓ New colour anthracite grey finish
- ✓ Various profiles in brilliant white and black brown
- ✓ Even greater selection for individual design
- ✓ Matches current styles in ceramic tile and natural stone
- ✓ Proven BARA quality



Schlüter®-**BARA-RAK**

Page 317

AG

Schlüter®-**BARA-RAKEG**

Page 319

AG

BW

SB

Schlüter®-**BARA-RKK**

Page 320

AG

BW

Schlüter®-**BARA-RW**

Page 321

AG

Schlüter®-**BARA-RKB**

Page 323

AG

BW

SB

Schlüter®-**BARA-RT**

Page 324

AG

Schlüter®-**BARA-RWL**

Page 327

AG

BW

SB

Schlüter®-**BARA-RKL**

Page 328

AG

BW



For ordering, complete the art. no. by adding the new colour, e.g. RAK 50 AG.

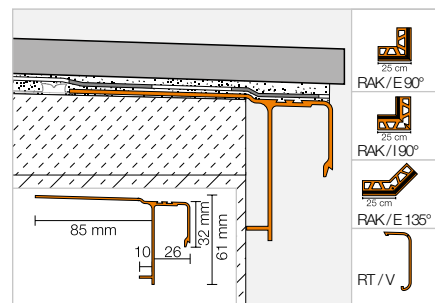


Edge profile

Schlüter®-BARA-RAK



Schlüter-BARA-RAK is a colour coated aluminium balcony edge profile with a drip edge. It is fitted to the edges of finished inclined surfaces to form both an edging and a drip edge. (Product data sheet 5.5)



Schlüter®-BARA-RAK

colour coated aluminium

L = 2.50 m Art. No.	€ / m	KV (Unit)
RAK 50 ...*	38.37	40

MyDesign by Schlüter-Systems

Custom coating in 190 RAL Classic colours available. More details from page 16.

i

AG

New colour:
anthracite grey

Corner | end cap | connector

Schlüter®-BARA-RAK/E 90°

90° external corner

Art. No.	€ / U.	P (Unit)
E90 / RAK 50 ...*	51.14	10

Schlüter®-BARA-RAK/E 135°

135° external corner

Art. No.	€ / U.	P (Unit)
E135 / RAK 50 ...*	56.28	10

Schlüter®-BARA-RAK/I 90°

90° internal corner

Art. No.	€ / U.	P (Unit)
I90 / RAK 50 ...*	51.14	10

Schlüter®-BARA-RT/EK

end cap

Art. No.	€ / U.	P (Unit)
E / RT 30 ...*	3.19	50

Schlüter®-BARA-RTK/V

connector

Art. No.	€ / U.	P (Unit)
V / RT 30 ...*	3.28	50



Customisable corners available
More details on page 341.

To complete the art. no., add the colour (e.g. V / RT 30 SB)



* Colours: AG - BW - GM - HB - PG - RB - SB

For an overview of finishes and colours, please see page 342.

Note:

Schlüter-BARA-RAK is not designed for attaching the Schlüter-BARIN gutter systems. However, it is feasible by drilling holes (diameter 7 mm).

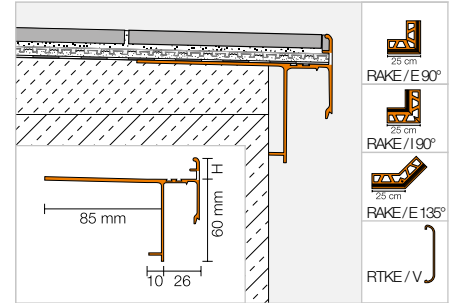


Edge profile

Schlüter®-BARA-RAKE



Schlüter-BARA-RAKE is an edge profile with a drip edge for installation over finished sloped screeds. BARA-RAKE is especially suited for assemblies with the bonded drainage mat Schlüter-DITRA-DRAIN. The perforated outer edges give the exterior perimeter of tiled areas a neat appearance.
(Product data sheet 5.22)



Schlüter®-BARA-RAKE

colour coated aluminium

H (mm)	L = 2.50 m Art. No.	€ / m	KV (Unit)
10	RAKE 10 ...*	53.43	40
15	RAKE 15 ...*	56.62	40
18	RAKE 18 ...*	56.87	40
21	RAKE 21 ...*	57.46	40

MyDesign by Schlüter-Systems
Custom coating in 190 RAL Classic colours available. More details from page 16.

Corner | connector

Schlüter®-BARA-RAKE/E 90°

90° external corner

H (mm)	Art. No.	€ / U.	P (Unit)
10	E90 / RAKE 10 ...*	63.67	10
15	E90 / RAKE 15 ...*	63.67	10
18	E90 / RAKE 18 ...*	63.67	10
21	E90 / RAKE 21 ...*	63.67	10

Schlüter®-BARA-RAKE/E 135°

135° external corner

H (mm)	Art. No.	€ / U.	P (Unit)
10	E135 / RAKE 10 ...*	63.67	10
15	E135 / RAKE 15 ...*	63.67	10
18	E135 / RAKE 18 ...*	63.67	10
21	E135 / RAKE 21 ...*	63.67	10

Schlüter®-BARA-RAKE/I 90°

90° internal corner

H (mm)	Art. No.	€ / U.	P (Unit)
10	I90 / RAKE 10 ...*	63.67	10
15	I90 / RAKE 15 ...*	63.67	10
18	I90 / RAKE 18 ...*	63.67	10
21	I90 / RAKE 21 ...*	63.67	10

Schlüter®-BARA-RTKE/V

connector

H (mm)	Art. No.	€ / U.	P (Unit)
10	V / RTKE 10 ...*	3.57	50
15	V / RTKE 15 ...*	3.57	50
18	V / RTKE 18 ...*	3.57	50
21	V / RTKE 21 ...*	3.57	50

Customisable corners available
More details on page 341.

To complete the art. no., add the colour (e.g. V / RTKE 10 PG)

GM PG

* Colours: GM - PG

For an overview of finishes and colours, please see page 342.



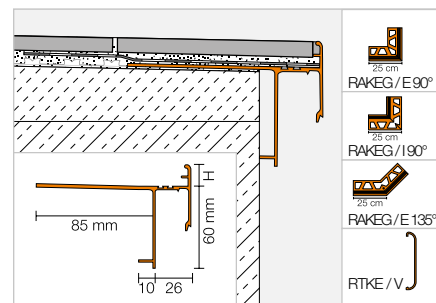
Edge profile

Schlüter®-BARA-RAKEG



Schlüter-BARA-RAKEG is an edge profile with a drip edge for installation on finished sloped screeds. It is specifically designed for use with the bonded uncoupling membrane Schlüter-DITRA. The closed outer edges give the exterior perimeter of tiled areas a neat appearance.

(Product data sheet 5.22)



Schlüter®-BARA-RAKEG

colour coated aluminium

H (mm)	L = 2.50 m Art. No.	€ / m	KV (Unit)
4	RAKEG 4 ...*	41.83	40
10	RAKEG 10 ...*	42.50	40
15	RAKEG 15 ...*	45.74	40
18	RAKEG 18 ...*	46.00	40
21	RAKEG 21 ...*	46.57	40

MyDesign by Schlüter-Systems
Custom coating in 190 RAL Classic colours available. More details from page 16.

Now available in additional colours:
AG – anthracite grey
BW – brilliant white
SB – black brown

Corner | connector

Schlüter®-BARA-RAKEG/E 90°

90° external corner

H (mm)	Art. No.	€ / U.	P (Unit)
4	E90 / RAKEG 4 ...*	57.33	10
10	E90 / RAKEG 10 ...*	57.33	10
15	E90 / RAKEG 15 ...*	57.33	10
18	E90 / RAKEG 18 ...*	57.33	10
21	E90 / RAKEG 21 ...*	57.33	10

Schlüter®-BARA-RAKEG/E 135°

135° external corner

H (mm)	Art. No.	€ / U.	P (Unit)
4	E135 / RAKEG 4 ...*	57.33	10
10	E135 / RAKEG 10 ...*	57.33	10
15	E135 / RAKEG 15 ...*	57.33	10
18	E135 / RAKEG 18 ...*	57.33	10
21	E135 / RAKEG 21 ...*	57.33	10

Schlüter®-BARA-RAKEG/I 90°

90° internal corner

H (mm)	Art. No.	€ / U.	P (Unit)
4	I90 / RAKEG 4 ...*	57.33	10
10	I90 / RAKEG 10 ...*	57.33	10
15	I90 / RAKEG 15 ...*	57.33	10
18	I90 / RAKEG 18 ...*	57.33	10
21	I90 / RAKEG 21 ...*	57.33	10

Schlüter®-BARA-RTKE/V

connector

H (mm)	Art. No.	€ / U.	P (Unit)
4	V / RTKE 4 ...*	3.57	50
10	V / RTKE 10 ...*	3.57	50
15	V / RTKE 15 ...*	3.57	50
18	V / RTKE 18 ...*	3.57	50
21	V / RTKE 21 ...*	3.57	50

Customisable corners available
More details on page 341.

To complete the art. no., add the colour (e.g. V / RTKE 4 GM)



* Colours: AG - BW - GM - PG - SB

For an overview of finishes and colours, please see page 342.

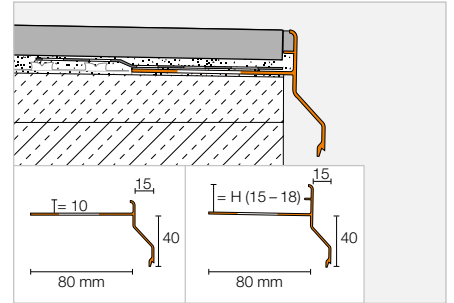


Edge profile

Schlüter®-BARA-RKK



Schlüter-BARA-RKK is a T shaped finishing profile with a short drip edge for installation over finished sloped screeds. It was especially designed for use with the bonded waterproofing membrane Schlüter-DITRA. The closed outer edges give the exterior perimeter of tiled areas a neat appearance. (Product data sheet 5.24)



Schlüter®-BARA-RKK

colour coated aluminium

H (mm)	L = 2.50 m Art. No.	€ / m	KV (Unit)
10	RKK 10 ...*	33.11	40
15	RKK 15 ...*	34.38	40
18	RKK 18 ...*	35.39	40

MyDesign by Schlüter-Systems
Custom coating in 190 RAL Classic colours available. More details from page 16.

Now available in additional colours:
AG – anthracite grey
BW – brilliant white

Corner | connector

Schlüter®-BARA-RKK/E 90°

90° external corner

H (mm)	Art. No.	€ / U.	P (Unit)
10	E90 / RKK 10 ...*	48.52	10
15	E90 / RKK 15 ...*	48.52	10
18	E90 / RKK 18 ...*	48.52	10

Schlüter®-BARA-RKK/E 135°

135° external corner

H (mm)	Art. No.	€ / U.	P (Unit)
10	E135 / RKK 10 ...*	48.52	10
15	E135 / RKK 15 ...*	48.52	10
18	E135 / RKK 18 ...*	48.52	10

Schlüter®-BARA-RKK/I 90°

90° internal corner

H (mm)	Art. No.	€ / U.	P (Unit)
10	I90 / RKK 10 ...*	48.52	10
15	I90 / RKK 15 ...*	48.52	10
18	I90 / RKK 18 ...*	48.52	10

Schlüter®-BARA-RKK/V

connector

H (mm)	Art. No.	€ / U.	P (Unit)
10	V / RKK 10 ...*	3.73	50
15	V / RKK 15 ...*	3.73	50
18	V / RKK 18 ...*	3.73	50

Customisable corners available
More details on page 341.

To complete the art. no., add the colour (e.g. V / RKK 10 SB)



* Colours: AG - BW - GM - PG - SB

For an overview of finishes and colours, please see page 342.

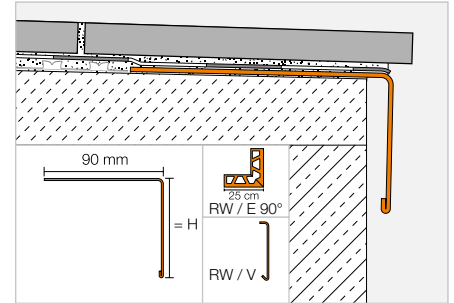
Edge profile

Schlüter®-BARA-RW



Schlüter-BARA-RW is an angular profile of stainless steel or colour coated aluminium for finishing the exposed perimeters of balconies and terraces.

(Product data sheet 5.3)



Schlüter®-BARA-RW



colour coated aluminium

H (mm)	L = 2.50 m Art. No.	€ / m	KV (Unit)
15	RW 15 ...*	20.93	40
25	RW 25 ...*	22.17	40
30	RW 30 ...*	22.73	40
40	RW 40 ...*	24.48	40
55	RW 55 ...*	26.67	40
75	RW 75 ...*	29.70	40
95	RW 95 ...*	32.74	40
120	RW 120 ...*	41.01	40
150	RW 150 ...*	45.60	40

Schlüter®-BARA-RW-E



stainless steel V2A

H (mm)	L = 2.50 m Art. No.	€ / m	KV (Unit)
15	RW 15 E	33.97	40
25	RW 25 E	35.30	40
30	RW 30 E	37.20	40
40	RW 40 E	39.22	40
55	RW 55 E	43.11	40
75	RW 75 E	48.43	40
95	RW 95 E	53.62	40
120	RW 120 E	60.21	40
150	RW 150 E	68.10	40



Corner | connector

Schlüter®-BARA-RW/E 90°

90° external corner, colour coated aluminium

H (mm)	Art. No.	€ / U.	P (Unit)
15	E90 / RW 15 ...*	28.94	10
25	E90 / RW 25 ...*	29.63	10
30	E90 / RW 30 ...*	30.29	10
40	E90 / RW 40 ...*	30.97	10
55	E90 / RW 55 ...*	32.39	10
75	E90 / RW 75 ...*	34.10	10
95	E90 / RW 95 ...*	35.86	10
120	E90 / RW 120 ...*	49.13	10
150	E90 / RW 150 ...*	51.77	10

Schlüter®-BARA-RW-E/E 90°

90° external corner, stainless steel V2A

H (mm)	Art. No.	€ / U.	P (Unit)
15	E90 / RW 15 E	41.40	10
25	E90 / RW 25 E	42.30	10
30	E90 / RW 30 E	43.56	10
40	E90 / RW 40 E	44.93	10
55	E90 / RW 55 E	47.57	10
75	E90 / RW 75 E	51.11	10
95	E90 / RW 95 E	63.87	10
120	E90 / RW 120 E	68.18	10
150	E90 / RW 150 E	73.45	10

Schlüter®-BARA-RW/V

connector, colour coated aluminium

H (mm)	Art. No.	€ / U.	P (Unit)
15	V / RW 15 ...*	6.39	50
25	V / RW 25 ...*	6.39	50
30	V / RW 30 ...*	6.39	50
40	V / RW 40 ...*	6.39	50
55	V / RW 55 ...*	6.39	50
75	V / RW 75 ...*	7.62	50
95	V / RW 95 ...*	7.62	50
120	V / RW 120 ...*	7.62	50
150	V / RW 150 ...*	7.62	50

Schlüter®-BARA-RW-E/V

connector, stainless steel V2A

H (mm)	Art. No.	€ / U.	P (Unit)
15	V / RW 15 E	7.63	50
25	V / RW 25 E	7.63	50
30	V / RW 30 E	7.63	50
40	V / RW 40 E	7.63	50
55	V / RW 55 E	7.63	50
75	V / RW 75 E	9.12	50
95	V / RW 95 E	9.12	50
120	V / RW 120 E	9.12	50
150	V / RW 150 E	9.12	50

To complete the art. no., add the colour (e.g. V / RW 15 HB)



* Colours: AG - BW - GM - HB - PG - RB - SB

For an overview of finishes and colours, please see page 342.

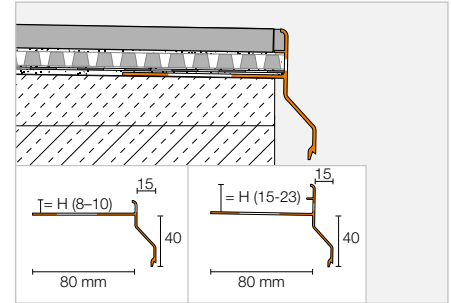


Edge profile

Schlüter®-BARA-RKKE



Schlüter-BARA-RKKE is a T shaped finishing profile with a short drip edge for installation over finished sloped screeds. BARA-RKKE is especially suited for assemblies with the bonded drainage mat Schlüter-DITRA-DRAIN. The perforated outer edges give the exterior perimeter of tiled areas a neat appearance. (Product data sheet 5.24)



Schlüter®-BARA-RKKE

colour coated aluminium

H (mm)	L = 2.50 m Art. No.	€ / m	KV (Unit)
8	RKKE 8 ...*	41.59	40
10	RKKE 10 ...*	42.48	40
15	RKKE 15 ...*	44.46	40
18	RKKE 18 ...*	46.23	40
21	RKKE 21 ...*	48.67	40
23	RKKE 23 ...*	50.37	40



Note:

The profile heights 21 and 23 mm are also suitable for use with Schlüter-DITRA-DRAIN 8.

Corner | connector

Schlüter®-BARA-RKKE/E 90°

90° external corner

H (mm)	Art. No.	€ / U.	P (Unit)
8	E90 / RKKE 8 ...*	53.70	10
10	E90 / RKKE 10 ...*	53.70	10
15	E90 / RKKE 15 ...*	53.70	10
18	E90 / RKKE 18 ...*	53.70	10
21	E90 / RKKE 21 ...*	53.70	10
23	E90 / RKKE 23 ...*	53.70	10

Schlüter®-BARA-RKKE/E 135°

135° external corner

H (mm)	Art. No.	€ / U.	P (Unit)
8	E135 / RKKE 8 ...*	53.70	10
10	E135 / RKKE 10 ...*	53.70	10
15	E135 / RKKE 15 ...*	53.70	10
18	E135 / RKKE 18 ...*	53.70	10
21	E135 / RKKE 21 ...*	53.70	10
23	E135 / RKKE 23 ...*	53.70	10

Schlüter®-BARA-RKKE/I 90°

90° internal corner

H (mm)	Art. No.	€ / U.	P (Unit)
8	I90 / RKKE 8 ...*	53.70	10
10	I90 / RKKE 10 ...*	53.70	10
15	I90 / RKKE 15 ...*	53.70	10
18	I90 / RKKE 18 ...*	53.70	10
21	I90 / RKKE 21 ...*	53.70	10
23	I90 / RKKE 23 ...*	53.70	10

Schlüter®-BARA-RKK/V

connector

H (mm)	Art. No.	€ / U.	P (Unit)
8	V / RKK 8 ...*	3.73	50
10	V / RKK 10 ...*	3.73	50
15	V / RKK 15 ...*	3.73	50
18	V / RKK 18 ...*	3.73	50
21	V / RKK 21 ...*	3.73	50
23	V / RKK 23 ...*	3.73	50



To complete the art. no., add the colour (e.g. V / RKK 8 PG)



* Colours: GM - PG - SB

For an overview of finishes and colours, please see page 342.

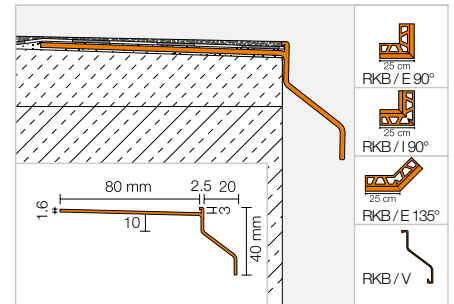


Edge profile

Schlüter®-BARA-RKB



Schlüter-BARA-RKB is a T shaped finishing profile for coatings. The front finishing leg has a protruding drip edge.
(Product data sheet 5.18)



Schlüter®-BARA-RKB

colour coated aluminium

L = 2.50 m Art. No.	€ / m	KV (Unit)
RKB 3 ...*	29.94	40

MyDesign by Schlüter-Systems
Custom coating in 190 RAL Classic colours available. More details from page 16.

Now available in additional colours:
AG – anthracite grey
BW – brilliant white
SB – black brown

Corner | connector

Schlüter®-BARA-RKB/E 90°

90° external corner

Art. No.	€ / U.	P (Unit)
E90 / RKB 3 ...*	40.09	10

Schlüter®-BARA-RKB/E 135°

135° external corner

Art. No.	€ / U.	P (Unit)
E135 / RKB 3 ...*	41.80	10

Schlüter®-BARA-RKB/I 90°

90° internal corner

Art. No.	€ / U.	P (Unit)
I90 / RKB 3 ...*	40.09	10

Schlüter®-BARA-RKB/V

connector

Art. No.	€ / U.	P (Unit)
V / RKB 3 ...*	3.73	50

Customisable corners available
More details on page 341.

To complete the art. no., add the colour (e.g. V / RKB 3 GM)



* Colours: AG - BW - GM - PG - SB

For an overview of finishes and colours, please see page 342.



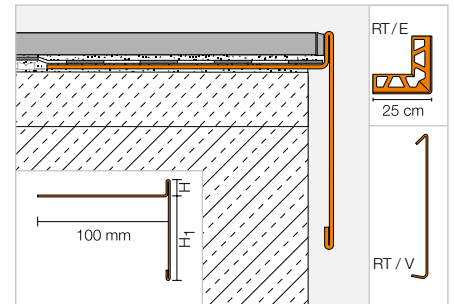
Edge profile

Schlüter®-BARA-RT



Schlüter-BARA-RT is a T shaped finishing profile of colour coated aluminium for covering exposed edges of balconies and terraces. The top leg covers the edge of the assembly while the lower leg forms a drip edge and hides the joint with the TROBA area drainage mat.

(Product data sheet 5.19)



Schlüter®-BARA-RT



colour coated aluminium

H/H1 (mm)	L = 2.50 m Art. No.	€ / m	KV (Unit)
9/60	RT 9/60 ...*	40.34	40
12/16	RT 12/16 ...*	35.30	40
12/65	RT 12/65 ...*	40.34	40
20/50	RT 20/50 ...**	40.34	40
25/40	RT 25/40 ...**	40.34	40
30/35	RT 30/35 ...**	41.09	40



Corner | connector

Schlüter®-BARA-RT/E 90°

90° external corner

H/H1 (mm)	Art. No.	€ / U.	P (Unit)
9/60	E90 / RT 9/60 ...*	44.37	10
12/16	E90 / RT 12/16 ...*	40.52	10
12/65	E90 / RT 12/65 ...*	44.37	10
20/50	E90 / RT 20/50 ...**	44.37	10
25/40	E90 / RT 25/40 ...**	44.37	10
30/35	E90 / RT 30/35 ...**	44.63	10

Schlüter®-BARA-RT/V

connector

H/H1 (mm)	Art. No.	€ / U.	P (Unit)
9/60	V / RT 9/60 ...*	7.62	50
12/16	V / RT 12/16 ...*	6.39	50
12/65	V / RT 12/65 ...*	7.62	50
20/50	V / RT 20/50 ...**	7.62	50
25/40	V / RT 25/40 ...**	7.62	50
30/35	V / RT 30/35 ...**	7.62	50

To complete the art. no., add the colour (e.g. E90 / RT 9/60 GM)



* Colours: AG - BW - GM - HB - PG - RB - SB

** Colours: AG - BW - GM - PG - SB

For an overview of finishes and colours, please see page 342.

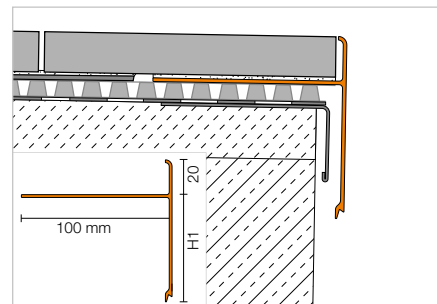
Edge profile

Schlüter®-BARA-RTC



Schlüter-BARA-RTC is a T-shaped finishing profile made of colour-coated aluminium for covering the exposed edges of balconies and terraces. It is ideally suited for installing 20 mm tiles together with the paver supports from the Schlüter-TROBA product range. The top anchoring leg protects the edges of tiles, while the lower leg conceals the stiling and forms a drip lip.

(Product data sheet 5.19)



Schlüter®-BARA-RTC



colour coated aluminium

H/H1 (mm)	L = 2.50 m Art. No.	€ / m	KV (Unit)
20/20	RTC 20/20 ...*	35.36	40
20/40	RTC 20/40 ...*	37.41	40
20/50	RTC 20/50 ...*	41.51	40
20/60	RTC 20/60 ...*	43.05	40
20/80	RTC 20/80 ...*	45.10	40
20/100	RTC 20/100 ...*	49.20	40

Corner | connector

Schlüter®-BARA-RTC/E 90°



90° external corner

H/H1 (mm)	Art. No.	€ / U.	P (Unit)
20/20	E90 / RTC 20/20 ...*	51.25	10
20/40	E90 / RTC 20/40 ...*	53.30	10
20/50	E90 / RTC 20/50 ...*	54.33	10
20/60	E90 / RTC 20/60 ...*	55.35	10
20/80	E90 / RTC 20/80 ...*	57.40	10
20/100	E90 / RTC 20/100 ...*	59.45	10

Schlüter®-BARA-RTC/V



connector

H/H1 (mm)	Art. No.	€ / U.	P (Unit)
20/20	V / RTC 20/20 ...*	7.18	50
20/40	V / RTC 20/40 ...*	7.18	50
20/50	V / RTC 20/50 ...*	7.18	50
20/60	V / RTC 20/60 ...*	7.18	50
20/80	V / RTC 20/80 ...*	7.18	50
20/100	V / RTC 20/100 ...*	7.18	50

To complete the art. no., add the colour (e.g. V / RTC 20/20 BW)



* Colours: AG - BW - GM - PG - SB

For an overview of finishes and colours, please see page 342.

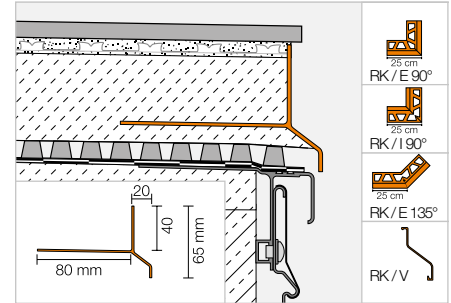


Edge profile

Schlüter®-BARA-RK



Schlüter-BARA-RK is a T shaped finishing profile. The front section features an overhanging drip edge which hides the joint with the TROBA area drainage mat.
(Product data sheet 5.4)



Schlüter®-BARA-RK

colour coated aluminium

L = 2.50 m Art. No.	€ / m	KV (Unit)
RK 65 ...*	32.86	40

MyDesign by Schlüter-Systems
Custom coating in 190 RAL Classic colours available. More details from page 16.

Corner | connector

Schlüter®-BARA-RK/E 90°

90° external corner

Art. No.	€ / U.	P (Unit)
E90 / RK 65 ...*	43.22	10

Schlüter®-BARA-RK/E 135°

135° external corner

Art. No.	€ / U.	P (Unit)
E135 / RK 65 ...*	47.67	10

Schlüter®-BARA-RK/I 90°

90° internal corner

Art. No.	€ / U.	P (Unit)
I90 / RK 65 ...*	43.22	10

Schlüter®-BARA-RK/V

connector

Art. No.	€ / U.	P (Unit)
V / RK 65 ...*	3.73	50

Customisable corners available
More details on page 341.

To complete the art. no., add the colour (e.g. V / RK 65 GM)



* Colours: BW - GM - HB - PG - RB - SB

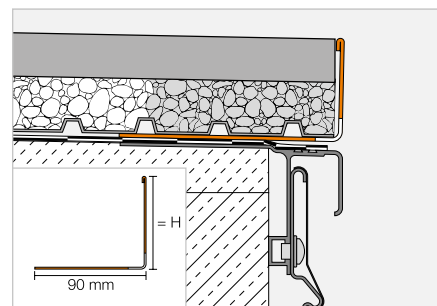
For an overview of finishes and colours, please see page 342.

Edge profile

Schlüter®-BARA-RWL



Schlüter-BARA-RWL is an edge profile with drainage holes, made of colour coated aluminium for use on balconies and terraces. It is particularly suitable for finishing coverings on balconies and terraces that are set directly onto a gravel layer or pedestals.
(Product data sheet 5.15)



Schlüter®-BARA-RWL



colour coated aluminium

H (mm)	L = 2.50 m Art. No.	€ / m	KV (Unit)
15	RWL 15 ...*	20.93	40
25	RWL 25 ...*	22.17	40
30	RWL 30 ...*	22.73	40
40	RWL 40 ...*	24.48	40
55	RWL 55 ...*	26.67	40
75	RWL 75 ...*	29.70	40
95	RWL 95 ...*	32.74	40
120	RWL 120 ...*	41.01	40
150	RWL 150 ...*	45.60	40

i
Now available in additional colours:

AG – anthracite grey
BW – brilliant white
SB – black brown

Note:

For external corners and connectors see Schlüter-BARA-RW.

To complete the art. no., add the colour (e.g. RWL 15 PG)



* Colours: AG - BW - GM - PG - SB

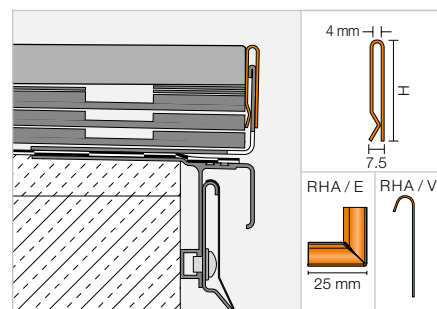
For an overview of finishes and colours, please see page 342.

Edge profile

Schlüter®-BARA-RHA



Schlüter-BARA-RHA is a height-adjustable finishing profile made of colour coated aluminium. It is used in conjunction with the corresponding BARA support profiles such as BARA-RWL or BARA-RKL to cover the exposed edges of balconies and terraces. It is suitable for covering assemblies with individual heights up to 220 mm.
(Product data sheet 5.16)



Schlüter®-BARA-RHA

colour coated aluminium

H (mm)	L = 2.50 m Art. No.	€ / m	KV (Unit)
50	RHA 50 ...*	27.60	40
90	RHA 90 ...*	29.99	40

Note:

The support profiles must be ordered separately.

Corner | connector

Schlüter®-BARA-RHA/E 90°

90° external corner

H (mm)	Art. No.	€ / U.	P (Unit)
50	E90 / RHA 50 ...*	14.71	10
90	E90 / RHA 90 ...*	14.71	10

Schlüter®-BARA-RHA/V

connector

H (mm)	Art. No.	€ / U.	P (Unit)
50	V / RHA 50 ...*	8.83	50
90	V / RHA 90 ...*	8.83	50

To complete the art. no., add the colour (e.g. V / RHA 50 SB)



* Colours: GM - PG - SB

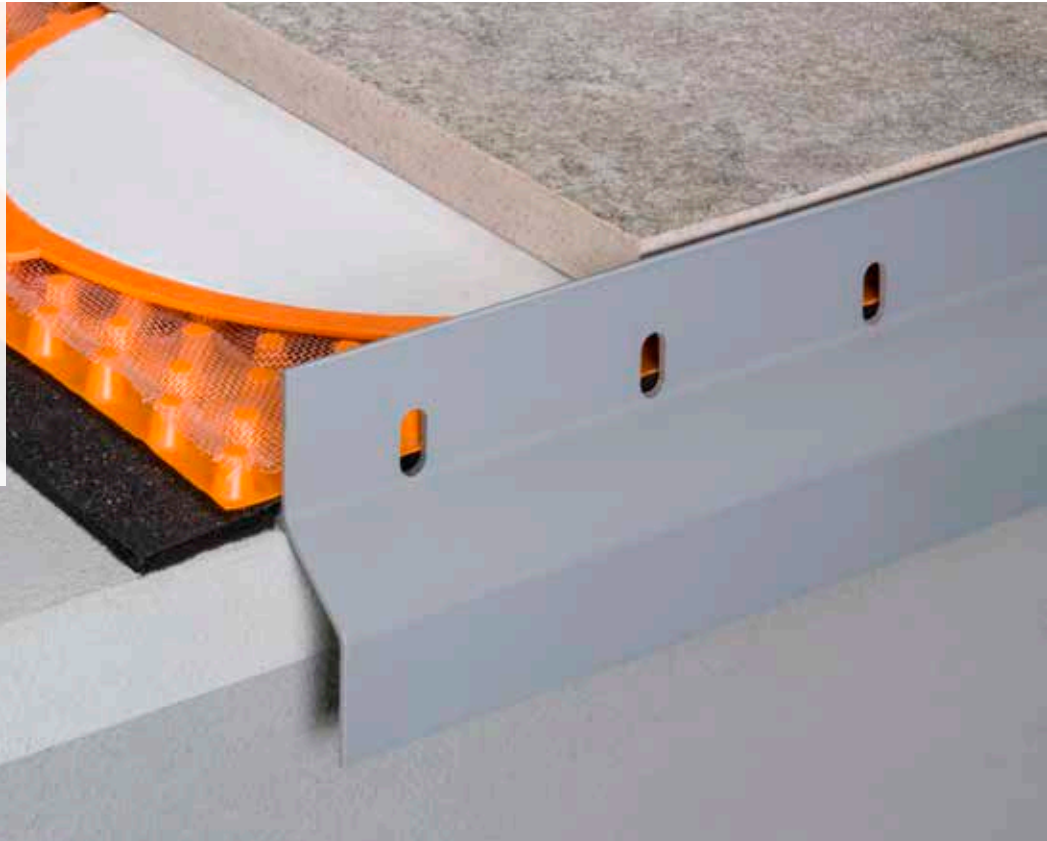
For an overview of finishes and colours, please see page 342.



Schlüter®-BARA-RKL 35

Finishing profile for balconies and terraces

- ✓ Specifically developed for tile and natural stone pavers with a thickness of 2 cm
- ✓ The finishing leg with a height of 35 mm covers the edge of the tile and drainage
- ✓ Drainage openings and drip edge
- ✓ Accessories: Internal corners, external corners (90°/135°) and connectors
- ✓ Suitable for finishing coverings over Schlüter-TROBA-LEVEL



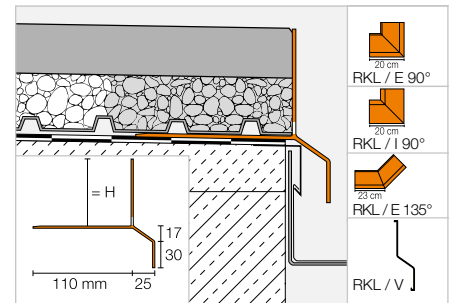
Edge profile



Schlüter®-BARA-RKL



Schlüter-BARA-RKL is an angled edge profile with drainage holes, made of colour coated aluminium. It is especially suited for large format pavers, which are either installed unbonded over gravel/crushed stone or on pedestals.
(Product data sheet 5.20)



Schlüter®-BARA-RKL

colour coated aluminium

H (mm)	L = 2.50 m Art. No.	€ / m	KV (Unit)
30	RKL 30 ...*	53.56	40
35	RKL 35 ...*	56.15	40
40	RKL 40 ...*	58.76	40
50	RKL 50 ...*	60.30	40
75	RKL 75 ...*	63.39	40

MyDesign by Schlüter-Systems

Custom coating in 190 RAL Classic colours available. More details from page 16.

Note:

Schlüter-BARA-RKL 35 and 40 are particularly suitable for stone panels in a thickness of 2 cm.



Now available in additional colours:

AG – anthracite grey
BW – brilliant white

Corner | connector

Schlüter®-BARA-RKL/E 90°

90° external corner

H (mm)	Art. No.	€ / U.	P (Unit)
30	E90 / RKL 30 ...*	86.05	10
35	E90 / RKL 35 ...*	86.05	10
40	E90 / RKL 40 ...*	86.05	10
50	E90 / RKL 50 ...*	86.05	10
75	E90 / RKL 75 ...*	86.05	10

Schlüter®-BARA-RKL/E 135°

135° external corner

H (mm)	Art. No.	€ / U.	P (Unit)
30	E135 / RKL 30 ...*	86.05	10
35	E135 / RKL 35 ...*	86.05	10
40	E135 / RKL 40 ...*	86.05	10
50	E135 / RKL 50 ...*	86.05	10
75	E135 / RKL 75 ...*	86.05	10

Schlüter®-BARA-RKL/I 90°

90° internal corner

H (mm)	Art. No.	€ / U.	P (Unit)
30	I90 / RKL 30 ...*	86.05	10
35	I90 / RKL 35 ...*	86.05	10
40	I90 / RKL 40 ...*	86.05	10
50	I90 / RKL 50 ...*	86.05	10
75	I90 / RKL 75 ...*	86.05	10

Schlüter®-BARA-RKL/V

connector

H (mm)	Art. No.	€ / U.	P (Unit)
30	V / RKL 30 ...*	7.16	50
35	V / RKL 35 ...*	7.16	50
40	V / RKL 40 ...*	7.16	50
50	V / RKL 50 ...*	7.16	50
75	V / RKL 75 ...*	7.16	50



To complete the art. no., add the colour (e.g. V / RKL 30 GM)

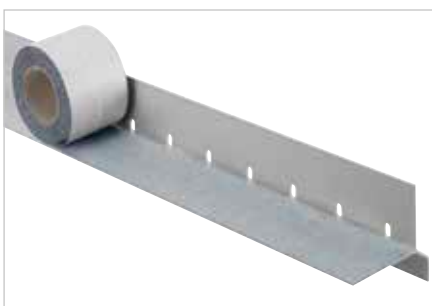


* Colours: AG - BW - GM - PG - SB

For an overview of finishes and colours, please see page 342.

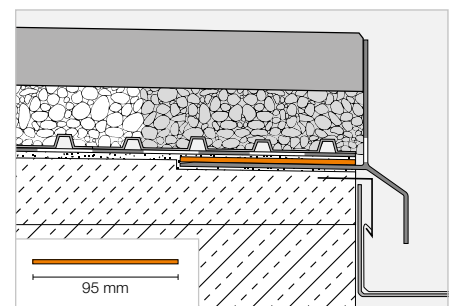
Bonding fleece

Schlüter®-BARA-HV



Schlüter-BARA-HV is an adhesive polyethylene tape with an anchoring fleece on the front side and a self adhesive butyl coating on the underside. It is suitable for creating an adhesive flange for reliable waterproof connections between the bonded waterproofing assembly Schlüter-KERDI and the edge of a Schlüter-BARA-RKL profile.

(Product data sheet 5.20)



Schlüter®-BARA-HV

self-adhesive bonding fleece

B (mm)	roll = 5 m Art. No.	€ / m	P (Roll)
95	HVL 95 / 5M	7.92	10

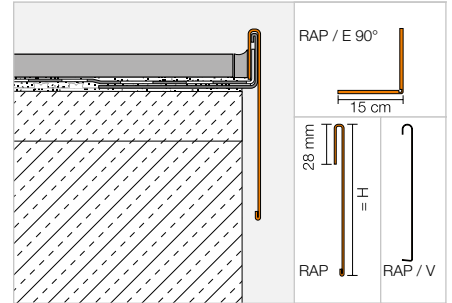


Edge profile | corner | connector

Schlüter®-BARA-RAP



Schlüter-BARA-RAP is a finishing profile made of colour coated aluminium. It is used in conjunction with the support profile Schlüter-BARA-RW to cover the exposed (lateral) edges of balconies and terraces.
(Product data sheet 5.17)



Schlüter®-BARA-RAP

colour coated aluminium

H (mm)	L = 2.50 m Art. No.	€ / m	KV (Unit)
75	RAP 75 PG	28.16	40
86	RAP 90 PG	29.25	40
110	RAP 110 PG	30.72	40

Note:

The support profile Schlüter-BARA-RW must be ordered separately.

Schlüter®-BARA-RAP/E 90°

90° external corner,
colour coated aluminium

H (mm)	Art. No.	€ / U.	P (Unit)
75	E90 / RAP 75 PG	32.81	10
86	E90 / RAP 90 PG	34.04	10
110	E90 / RAP 110 PG	35.20	10

Available coloured finishes:

PG

Colours: PG

For an overview of finishes and colours, please see page 342.

Schlüter®-BARA-RAP/V

connector,
colour coated aluminium

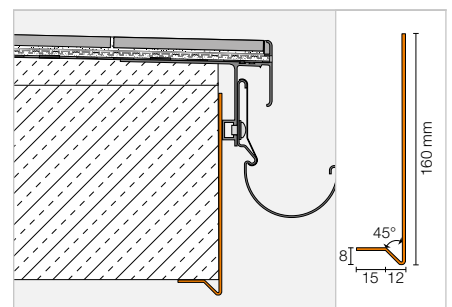
H (mm)	Art. No.	€ / U.	P (Unit)
75	V / RAP 75 PG	7.62	50
86	V / RAP 90 PG	7.62	50
110	V / RAP 110 PG	7.62	50

Edge profile | corner

Schlüter®-BARA-FAP



Schlüter-BARA-FAP is a profile for covering the front edges of cantilevered balconies.
(Product data sheet 5.23)



Schlüter®-BARA-FAP

colour coated aluminium

L = 2.50 m Art. No.	€ / m	KV (Unit)
FAP 165 ...*	43.89	40

Schlüter®-BARA-FAP/E 90°

90° external corner

Art. No.	€ / U.	P (Unit)
E90 / FAP 165 ...*	43.61	10

To complete the art. no., add the colour (e.g. E90 / FAP 165 BW)

BW GM HB PG RB SB

* Colours: BW - GM - HB - PG - RB - SB

For an overview of finishes and colours, please see page 342.



Note:

We recommend the joint covering Schlüter-BARA-STU as a connector.

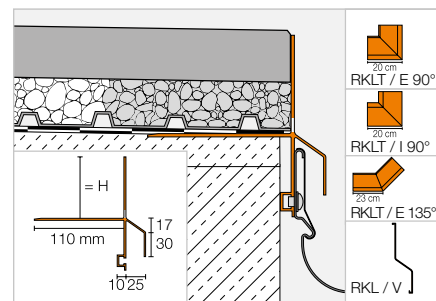
Edge support profile

Schlüter®-BARA-RKLT



Schlüter-BARA-RKLT is an angled edge profile with drainage holes, made of colour coated aluminium. It is especially suited for large format pavers, which are either installed unbonded over gravel/crushed stone or on pedestals. BARA-RKLT features a T shaped profile chamber for attaching the gutter system Schlüter-BARIN.

(Product data sheet 5.20)



Schlüter®-BARA-RKLT

colour coated aluminium

H (mm)	L = 2.50 m Art. No.	€ / m	KV (Unit)
30	RKLT 30 ...*	63.94	40
40	RKLT 40 ...*	69.18	40
50	RKLT 50 ...*	70.74	40
75	RKLT 75 ...*	73.76	40

Corner | connector

Schlüter®-BARA-RKLT/E 90°

90° external corner

H (mm)	Art. No.	€ / U.	P (Unit)
30	E90 / RKLT 30 ...*	89.86	10
40	E90 / RKLT 40 ...*	89.86	10
50	E90 / RKLT 50 ...*	89.86	10
75	E90 / RKLT 75 ...*	89.86	10

Schlüter®-BARA-RKLT/E 135°

135° external corner

H (mm)	Art. No.	€ / U.	P (Unit)
30	E135 / RKLT 30 ...*	89.86	10
40	E135 / RKLT 40 ...*	89.86	10
50	E135 / RKLT 50 ...*	89.86	10
75	E135 / RKLT 75 ...*	89.86	10

Schlüter®-BARA-RKLT/I 90°

90° internal corner

H (mm)	Art. No.	€ / U.	P (Unit)
30	I90 / RKLT 30 ...*	89.86	10
40	I90 / RKLT 40 ...*	89.86	10
50	I90 / RKLT 50 ...*	89.86	10
75	I90 / RKLT 75 ...*	89.86	10

Schlüter®-BARA-RKL/V

connector

H (mm)	Art. No.	€ / U.	P (Unit)
30	V / RKL 30 ...*	7.16	50
40	V / RKL 40 ...*	7.16	50
50	V / RKL 50 ...*	7.16	50
75	V / RKL 75 ...*	7.16	50



To complete the art. no., add the colour (e.g. V / RKL 30 PG)



* Colours: GM - PG - SB

For an overview of finishes and colours, please see page 342.

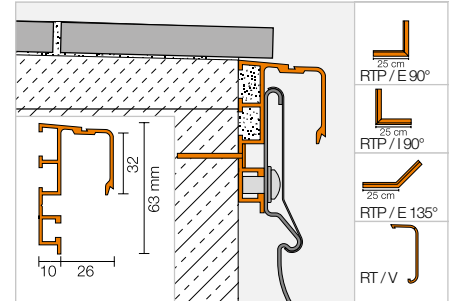


Edge support profile

Schlüter®-BARA-RTP



Schlüter-BARA-RTP is an edge profile for attaching the Schlüter-BARIN gutter system, which can be retrofitted to the exposed edges of existing balcony and terrace structures.
(Product data sheet 5.11)



Schlüter®-BARA-RTP

colour coated aluminium

L = 2.50 m Art. No.	€ / m	KV (Unit)
RTP 65 PG	36.19	40

Corner | connector | screws

Schlüter®-BARA-RTP/E 90°

90° external corner

Art. No.	€ / U.	P (Unit)
E90 / RTP 65 PG	46.73	10

Schlüter®-BARA-RTP/E 135°

135° external corner

Art. No.	€ / U.	P (Unit)
E135 / RTP 65 PG	51.42	10

Schlüter®-BARA-RTP/I 90°

90° internal corner

Art. No.	€ / U.	P (Unit)
I90 / RTP 65 PG	46.73	10

Schlüter®-BARA-RTK/V

connector

Art. No.	€ / U.	P (Unit)
V / RT 30 PG	3.28	50

Schlüter®-BARA-RTP/S

special screws including wall plugs

Art. No.	€ / Set	P (Set)
RTPS 540	9.91	10

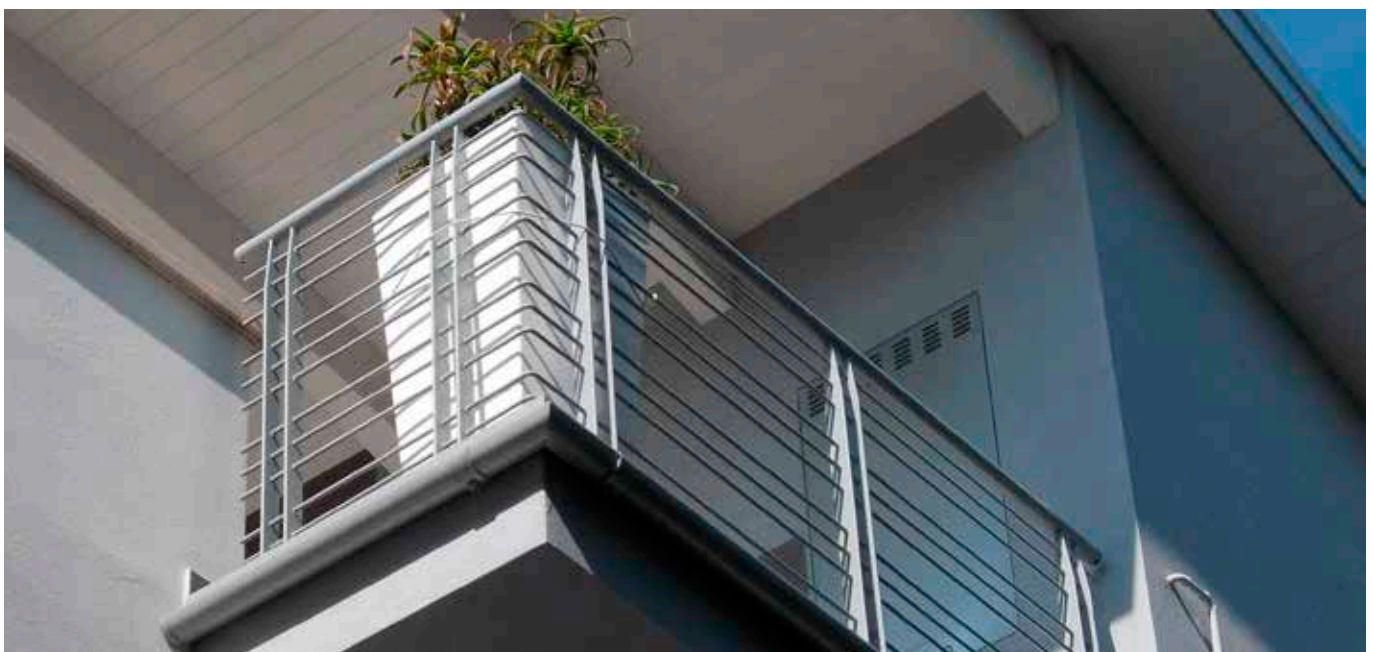
set = 10 units

Available coloured finishes:

PG

Colours: PG

For an overview of finishes and colours, please see page 342.



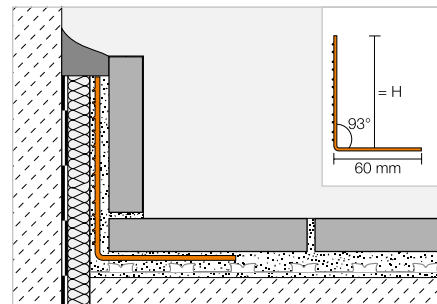
Skirting carrier profile

Schlüter®-BARA-ESOT



Schlüter-BARA-ESOT is a skirting support profile made of stainless steel, which is used in applications where no load bearing substrate is available for the skirting tiles.

(Product data sheet 5.1)



Schlüter®-BARA-ESOT

stainless steel V2A

H (mm)	L = 2.50 m Art. No.	€ / m	KV (Unit)
60	ESOT 60	19.97	60
110	ESOT 110	25.95	60

Joint covering strip

Schlüter®-BARA-STU



Schlüter-BARA-STU are thin aluminium strips that are cut to length with scissors. They can be installed to cover the joints of the BARA profile series, using Schlüter-KERDI-FIX.

Schlüter®-BARA-STU

joint covering strip

Art. No.	€ / U.	P (Unit)
STU 335 ...*	2.37	10

length = 30 cm
width = 35 mm
thickness = 0.5 mm

To complete the art. no., add the colour (e.g. STU 335 HB)



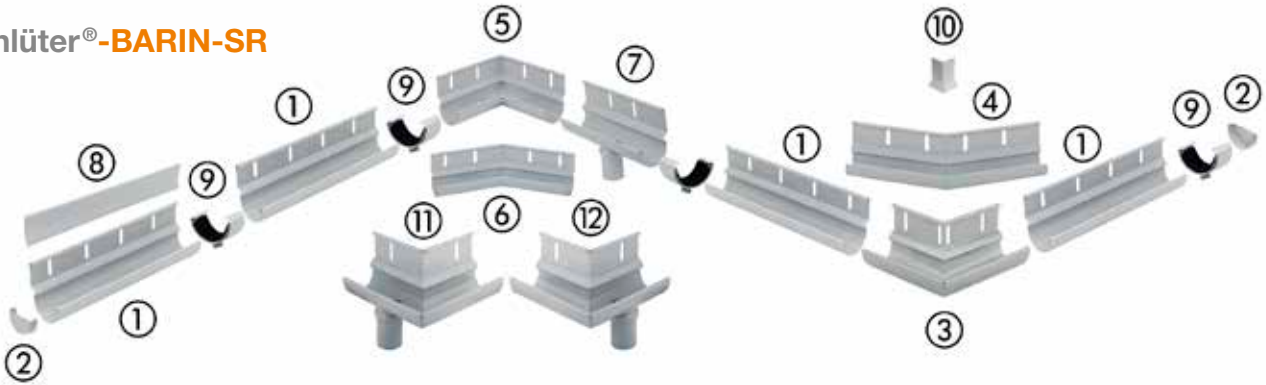
* Colours: BW - GM - HB - PG - RB - SB

For an overview of finishes and colours, please see page 342.

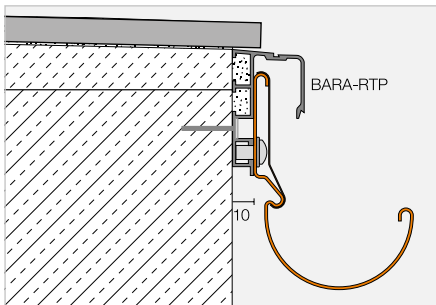
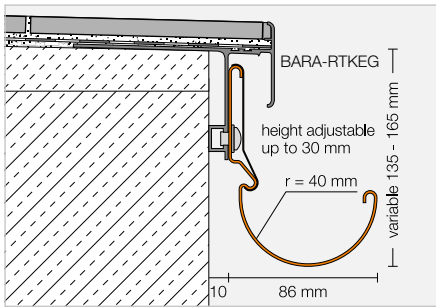


Gutter system

Schlüter®-BARIN-SR



Schlüter-BARIN-SR is a gutter system made of colour coated aluminium for the drainage of balconies and terraces. It can be attached to the matching Schlüter-BARA profiles. (Product data sheet 10.1)



Note:

Slight colour variations between individual system components may occur due to different materials.

Schlüter®-BARIN-SR-AC

colour coated aluminium

Description	Art. No.	€ / Set	KV (Set)
BARIN gutter set 2.50 m 1 gutter 2.50 m ① 1 cover profile 2.50 + 0.50 m ⑧ 1 connector ⑨ 8 screws	BSR4 R 250 ...*	158.81	60
BARIN gutter set 1.50 m 1 gutter 1.50 m ① 1 cover profile 1.50 m + 0.50 m ⑧ 1 connector ⑨ 4 screws	BSR4 R 150 ...*	93.80	60
BARIN end cap set 2 end caps ② 2 connectors ⑨	BSR4 E 2 ...*	32.64	60
BARIN 90° external corner set 1 corner ③ 2 connectors ⑨ 1 cover profile corner ⑩	BSR4 EWG 90 ...*	107.13	60
BARIN 90° external corner set, spout to the left 1 corner ⑪ 2 connectors ⑨ 1 cover profile corner ⑩	BSR4 E90 L DN 60 ...*	136.64	60
BARIN 90° external corner set, spout to the right 1 corner ⑫ 2 connectors ⑨ 1 cover profile corner ⑩	BSR4 E90 R DN 60 ...*	136.64	60
BARIN 135° external corner set 1 corner ④ 2 connectors ⑨ 1 cover profile corner ⑩	BSR4 EWG 135 ...*	107.13	60
BARIN 90° internal corner set 1 corner ⑤ 2 connectors ⑨	BSR4 IWG 90 ...*	107.13	60
BARIN 135° internal corner set 1 corner ⑥ 2 connectors ⑨	BSR4 IWG 135 ...*	107.13	60
BARIN spout set 1 gutter 20 cm with outlet ⑦ 2 connectors ⑨ 2 screws	BSR4 A DN 60 ...*	49.04	60

To complete the art. no., add the colour (e.g. BSR4 R 250 GM)



* Colours: BW - GM - HB - PG - RB - SB

For an overview of finishes and colours, please see page 342.

Customisable corners available
More details on page 341.

Gutter system

Schlüter®-BARIN-R

Schlüter-BARIN-R are system pipes made of colour coated aluminium with matching moulded parts.

(Product data sheet 10.1)



All gutter pipes are equipped with a transition connector. The connecting sleeve (8) can be used for connecting two Schlüter-BARIN system pipes without using a transition sleeve (leftover pieces).



Schlüter-KERDI-DRAIN-SP-E stainless steel spout, see page 310.

Schlüter®-BARIN-R-AC

colour coated aluminium

Description	Art. No.	€ / U.	KV (Unit)
Down pipe, 1.00 m Ø 60 mm ①	BR 100 DN 60 ...*	44.97	60
Down pipe, 2.50 m Ø 60 mm ①	BR 250 DN 60 ...*	103.30	60
Elbow pipe 40° Ø 60 mm ③	BR B40 DN 60 ...*	51.65	60
Elbow pipe 72° Ø 60 mm ④	BR B72 DN 60 ...*	51.65	60
Elbow pipe 85° Ø 60 mm ⑤	BR B85 DN 60 ...*	51.65	60
Tee pipe 72° Ø 60 mm ⑥	BR AZ DN 60 ...*	116.39	60
Connecting sleeve ⑧	BR AM DN 60 ...*	29.89	60
Spout 25 cm Ø 50 mm ⑦ to match BARIN-SR drain Ø 50 mm	BR SP25 DN 50 ...*	97.34	60
Spout 40 cm Ø 50 mm ⑦ to match BARIN-SR drain Ø 50 mm	BR SP40 DN 50 ...*	105.62	60
Pipe clamp set ② 2 pipe clamps Threaded pin 100 mm	BR RS100 DN 60 ...*	20.73	60
Pipe clamp set ② 2 pipe clamps Threaded pin 200 mm	BR RS200 DN 60 ...*	22.37	60
Threaded pin 200 mm for pipe clamps	BR SS 200	5.36	60

Schlüter-BARIN-R-SK is a downpipe cap that covers the connection of Schlüter-BARIN system pipes (Ø 60 mm) to the in ground drainage system.

Schlüter-BARIN-R-AZ is a tee pipe that connects Schlüter-BARIN system pipes (Ø 60 mm) with the existing downpipes (Ø 110 mm – DN 100) of the roof drainage system.

Schlüter®-BARIN-R-Z/-K

zinc / copper

Description	Art. No.	€ / U.	KV (Unit)
Downpipe cap, zinc, Ø 60 / 116 mm ⑨	BR SK DN 60 / 116 Z	8.49	60
Tee pipe, zinc, 85° Ø 110 / 60 mm (DN 100/60) ⑩	BR AZ DN 100 / 60 Z	121.22	60
Tee pipe, copper, 85° Ø 110 / 60 mm (DN 100/60) ⑩	BR AZ DN 100 / 60 K	136.64	60

To complete the art. no., add the colour (e.g. BR 100 DN 60 GM)



* Colours: BW - GM - HB - PG - RB - SB

For an overview of finishes and colours, please see page 342.



Schlüter installation accessories

For your daily work

Great installation projects require good tools. This section includes the tools you need to install our uncoupling mats, bend our radius profiles or access concealed openings. Of course, in the high Schlüter quality you expect.





Magnetic opening panels

Schlüter®-REMA 338

Cleaner and polish

Schlüter®-CLEAN-CP 338

Tools

Schlüter®-RUMA 338

Schlüter®-TROWEL 339

Schlüter®-PROCUT-PSF 339

Schlüter®-PROCUT-TSM 339

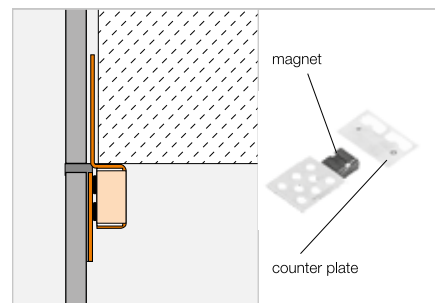


Magnetic opening panels

Schlüter®-REMA



Schlüter-REMA is a system for creating concealed access panels in tiled walls. It can be applied irrespective of tile size and thickness and adapts perfectly to the joint pattern.
(Product data sheet 11.1)



Schlüter®-REMA

4 magnets + 4 counter plates

Art. No.	€ / Set	P (Set)	KV (Set)
REMA	10.77	50	200

Cleaner and polish

Schlüter®-CLEAN-CP



Schlüter-CLEAN-CP is a polish for cleaning stainless steel profiles. It is also suitable for cleaning profiles made of aluminium, brass and other materials.
(Product data sheet 13.1)

Schlüter®-CLEAN-CP

polish

Fill volume (ml)	Art. No.	€ / U.	P (Unit)
125	CPP 125	20.50	10

Tool

Schlüter®-RUMA



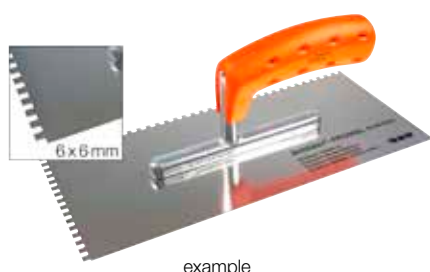
Schlüter-RUMA is a bending machine for uniform bending of profiles with radius perforations.

Schlüter®-RUMA

bending machine

Art. No.	€ / U.
RM	434.15

Tool

Schlüter®-TROWEL

example

Schlüter-TROWEL is a notched trowel with a soft ergonomic handle for stress-free work. The respective notching is suitable for the installation of Schlüter-DITRA, -KERDI and -DITRA-HEAT.

Schlüter®-TROWEL

notched trowel (280 mm x 130 mm), stainless steel

Notching	Art. No.	€ / U.	P (Unit)
4 x 4	TRL 4X4	19.65	10
6 x 6	TRL 6X6	19.65	10

Note:

4 x 4 notching for Schlüter-DITRA, -DITRA-DRAIN 8, -DITRA-SOUND and -KERDI.

6 x 6 notching for Schlüter-DITRA-DRAIN 4 and -DITRA-HEAT.

Schlüter®-PROCUT-PSF

Schlüter-PROCUT-PSF is a profile cutting tool to quickly and accurately cut Schlüter plastic profiles with and without joint spacer.

**Schlüter®-PROCUT-PSF**

profile cutter, joint spacer

Art. No.	€ / U.	P (Unit)
PSF	75.11	10

Schlüter®-PROCUT-PS-EK

spare part: spare blade for profile cutter

Art. No.	€ / U.	P (Unit)
PS 90 / 45 EK	27.88	10

Schlüter®-PROCUT-PSF 10

counter display with 10 profile cutters

Art. No.	€ / Package
PSF 10	720.72

Schlüter®-PROCUT-TSM

Schlüter-PROCUT-TSM is a cutting wheel with a diameter of 115 mm for conventional angle grinders. It produces especially clean cuts of stainless steel, aluminium and brass profiles.

Schlüter®-PROCUT-TSM

cutting wheel

Art. No.	€ / U.	P (Unit)
TSM 115/1	10.82	10



Schlüter-profiles

Radius perforation makes the difference



Various Schlüter metal profiles with a radius punching are available to protect coverings with rounded edge contours, making it possible to adapt the profile to the contour of the tile edge. For technical reasons, products that are only one metre in length are not available with radius perforations. Products that can be delivered with radius punching are marked with the following symbol in the price list:



Profiles available with special punching are shown in the following tables, which also include the corresponding price surcharges.

Profile forming is possible with the aid of the Schlüter-RUMA bending machine with a radius of at least approx. 1 m or 3 m. Schlüter-SCHIENE can be formed to a radius from a height of 6 mm, smaller profile heights on request. Schlüter-BARA profiles can not be formed to a radius with the bending machine.

Profile	Surcharge
Forming radius r = 1.00 m	€ / m
Schlüter-JOLLY-A	3.33
Schlüter-SCHIENE-A	3.33
Schlüter-SCHIENE-AC / -TS	3.33
Schlüter-SCHIENE-AE	3.33
Schlüter-SCHIENE-AV	3.33
Schlüter-SCHIENE-E / -E V4A	3.33
Schlüter-SCHIENE-EB	3.33
Schlüter-SCHIENE-M	3.33
Schlüter-SCHIENE-STEP-EB	3.33

Profile	Surcharge
Forming radius r = 3.00 m	€ / m
Schlüter-DECO-A	3.33
Schlüter-DECO-AE	3.33
Schlüter-DECO-AC	3.33
Schlüter-DECO-M	3.33
Schlüter-JOLLY-AC / -TS	3.33
Schlüter-JOLLY-AE	3.33
Schlüter-JOLLY-MC	3.33
Schlüter-QUADEC-A	3.33
Schlüter-QUADEC-AC / -TS	3.33
Schlüter-QUADEC-E / -E V4A	3.33
Schlüter-QUADEC-EP / -EB	3.33
Schlüter-RENO-AETK	3.33
Schlüter-RENO-ATK	3.33
Schlüter-RENO-MTK	3.33
Schlüter-RONDEC-A	3.33
Schlüter-RONDEC-AC / -TS	3.33
Schlüter-RONDEC-E / -E V4A	3.33
Schlüter-RONDEC-EP / -EB	3.33
Schlüter-SCHIENE-ES	3.33
Schlüter-BARA-RT	6.67
Schlüter-BARA-RW	6.67
Schlüter-BARA-RW-E	6.67
Schlüter-BARA-RWL	6.67

Delivery:

To order the art. no. of a profile with radius perforations, simply write an "R" before the art. no. of the standard profile (e.g. R / M 80 for Schlüter-SCHIENE-M 80 with radius perforations).

The delivery time for profiles with radius perforations is approx. 2 weeks.

Profiles are delivered in straight format. Please note that stainless steel may show deformations due to stresses in the material.

Your sales advisor will be pleased to assist you with your order.



We recommend the use of our bending machine Schlüter-RUMA (see page 338) for quick and neat radius forming of profiles.

Schlüter®-BARA and Schlüter®-BARIN

Corners with custom angles



Schlüter-BARA profiles protect the edges of balconies and terraces in many ways and ensure drainage over the assembly edge. Schlüter-BARIN-SR is a matching gutter system for draining balconies and terraces.

Our customers are as individual as their construction projects. That's why our BARA and BARIN product range includes various finishing and drainage options in standard colours, RAL colours via the MyDesign programme (BARA) as well as custom angles for BARA and BARIN corners beyond the standard angles 90° and 135°.



Please refer to the below tables to learn which BARA and BARIN corners are available in special angles. Product variants that can be ordered in custom RAL colours are marked as well.

*** MyDesign by Schlüter-Systems**
Custom coating in 190 RAL Classic colours available. More details from page 16.

External custom corner

Schlüter-BARA-RAK*
 Schlüter-BARA-RAKE*
 Schlüter-BARA-RAKEG*
 Schlüter-BARA-RK*
 Schlüter-BARA-RKB*
 Schlüter-BARA-RKK*
 Schlüter-BARA-RKKE*
 Schlüter-BARA-RKL*
 Schlüter-BARA-RKLT
 Schlüter-BARA-RTK
 Schlüter-BARA-RTKE
 Schlüter-BARA-RTKEG
 Schlüter-BARIN-SR

Internal custom corner

Schlüter-BARA-RAK*
 Schlüter-BARA-RAKE*
 Schlüter-BARA-RAKEG*
 Schlüter-BARA-RK*
 Schlüter-BARA-RKB*
 Schlüter-BARA-RKK*
 Schlüter-BARA-RKKE*
 Schlüter-BARA-RKL*
 Schlüter-BARA-RKLT
 Schlüter-BARA-RTK
 Schlüter-BARA-RTKE
 Schlüter-BARA-RTKEG
 Schlüter-BARIN-SR

Delivery and price:

Replace the “E/” or “I/” in the article number of a standard BARA corner with “ESO/” or “ISO/” to get the article number of a corner with a special angle.

In the case of a BARIN corner, replace the standard angle position in the middle of the article number with “SO” (e.g. BR EWG 90 / BW becomes BR EWG SO / BW).

If your custom corner order is to be shipped in a MyDesign RAL colour, simply put “C/” before the article number.

Examples:

Custom corner BARA-RAK:
ESO / RAK 50 BW

Custom corner BARA-RAK in RAL:
C / ESO / RAK 50 A

You can determine the price of your custom BARA or BARIN corner by adding 50% to the price of the corresponding 90° standard corner. The MyDesign surcharge B (= € 6.47) applies with the custom corner is to be coated with a MyDesign RAL colour as well.

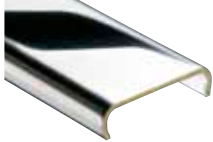
Your sales advisor will be pleased to assist you with your order.



Metal surfaces

Finish overview

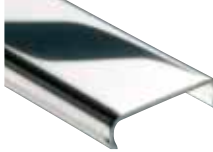
Chrome plated brass



MC

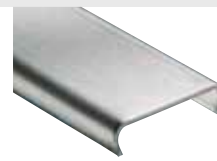
chrome plated brass

Stainless steel



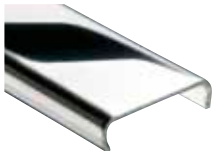
E

stainless steel
V2A = 1.4301 / AISI 304
V4A = 1.4404 / AISI 316L



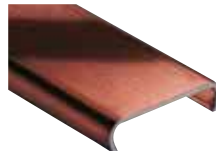
EB

brushed stainless steel



EP

polished stainless steel



EOB

stainless steel,
aged bronze effect

Anodised aluminium



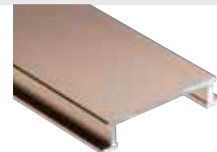
AE

anodised aluminium



AM

matte brass
anodised aluminium



AK

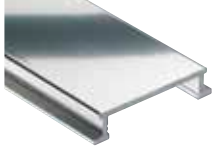
matte copper/bronze
anodised aluminium



AT

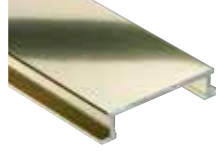
matte titanium
anodised aluminium

Polished anodised aluminium



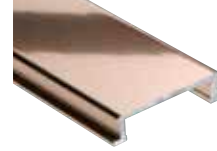
ACG

polished chrome
anodised aluminium



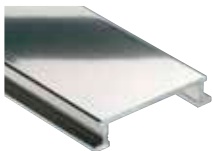
AMG

polished brass
anodised aluminium



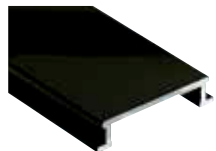
AKG

polished
copper/bronze
anodised aluminium



ATG

polished titanium
anodised aluminium



AGSG

polished
chrome black
anodised aluminium

Schlüter-profiles: additional materials

A
aluminium

AC
colour coated aluminium


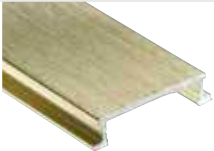




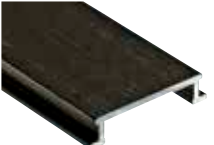
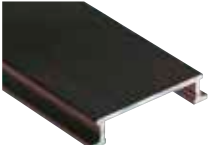
Z
zinc

M
brass

K
copper

P
coloured PVC

Brushed anodised aluminium

	ACGB brushed chrome anodised aluminium		AMGB brushed brass anodised aluminium		AKGB brushed copper/bronze anodised aluminium
	ATGB brushed titanium anodised aluminium		AEEB brushed stainless steel anodised aluminium		AGRB brushed chrome graphite anodised aluminium
	AGSB brushed graphite black anodised aluminium		ABGB brushed antique bronze anodised aluminium		

Cross brushed anodised aluminium

	AEX cross brushed anodised aluminium		AMX cross brushed brass anodised aluminium		AQGX cross brushed quartz grey anodised aluminium
	ATX cross brushed titanium anodised aluminium				

Aluminium/stainless steel textured coating

	TSI textured natural ivory		TSC textured natural cream		TSBG textured natural beige grey
	TSB textured natural beige		TSSG textured natural stone grey		TSG textured natural grey
	TSOB textured natural bronze		TSLA textured natural light anthracite		TSDA textured natural dark anthracite
	TSR textured natural rustic brown				

Note:

This page displays all metal finishes of Schlüter-DESIGNLINE profiles for an improved, standardised overview. Please refer to the specific product data to verify the actual availability of individual materials. The print does not allow reproductions of the original colours.

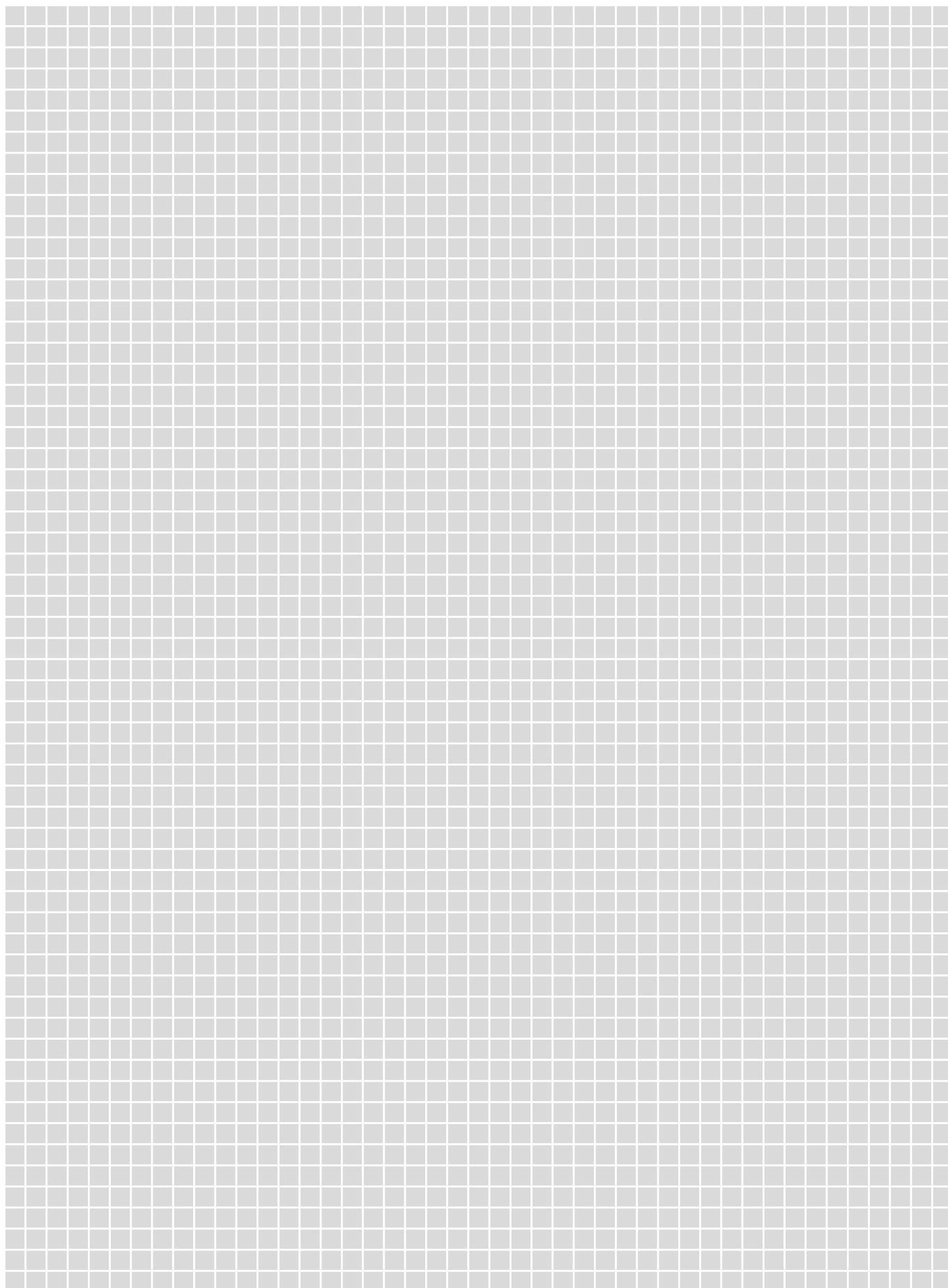


Colour code system

Colour overview

	AG anthracite grey		GAE grey anodised aluminium		QG quartz grey
	AP soft apricot		GM grey metallic		RB red brown
	BH bahama		GS graphite black		SB black brown
	BW brilliant white		HB light beige		SG stone grey
	C cream		HG light grey		SP soft peach
	CA caramel		MBW matte brilliant white		T transparent grey
	CG yellow		MGS matte graphite black		VG traffic grey
	DA dark anthracite		NB nut brown		W white
	FG joint grey		PG pastel grey		ZR brick red
	G grey		PW pearl white		

The print does not allow reproductions of the original colours.





Key

Innovations



New product



MyDesign products

Application areas



Suitable for use on the floor of privately used areas



Suitable for use on walls in interior spaces



Sound insulating

Properties



also available in 3 m



Radius perforation available



Peel & Stick self-adhesive



EasyCut gridlines



EasyFill design



WiFi control



Voice Control function



Custom corner

Packaging units

PL = euro pallet

KV = case packaging

BV = bundle

All profiles are packaged in bundles of 10, unless specifically noted otherwise.

P = box packaging

R = roll

Unit = units

Dimensions

H = height

L = length

B = width

T = depth

For technical reasons, 3 m lengths cannot be shipped by express delivery.

Technical developments may lead to changes from the images, drawings and descriptions.

Please note that we generally do not accept returns of custom-made products. This does not affect your warranty rights.

General Terms and Conditions



Exclusively subject to our General Terms and Conditions, which can be downloaded in the latest version from schlueter-systems.com/agb or which we will gladly send to you upon request.



schlueter-systems.com



Subject to the Standard Terms and Conditions of Sale of Schlüter-Systems KG.

All previous price lists lose their validity on the publication of this price list.

Errors, changes, and printing mistakes as well as changes necessary in the interest of product innovation or shipping reserved. For reasons of printing, colours shown in this price list may differ from actual product colours.



PROFILE OF INNOVATION

Schlüter-Systems KG · Schmölestraße 7 · D-58640 Iserlohn

Tel.: +49 2371 971-0 · Fax: +49 2371 971-1111 · info@schlueter.de · schlueter-systems.com